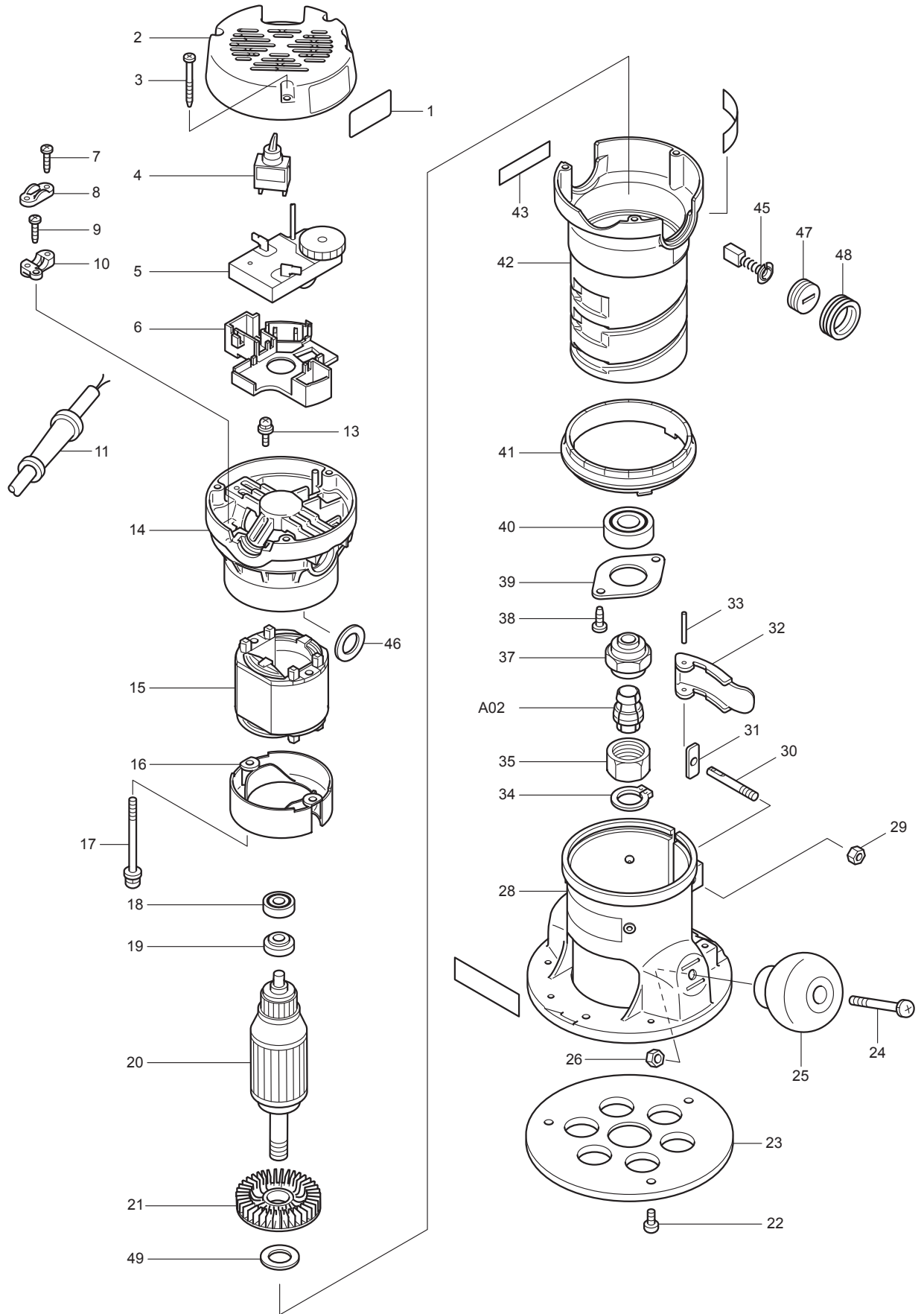




03 - 2010
RF1101
RF1101KIT
2-1/4 HP ROUTER VARIABLE SPEED DOG EAR



Item No	Type	Ref	Ref Part No	Description	Qty	Unit
1			812990-3	INDICATION LABEL	1	PC.
2			417140-1	REAR COVER	1	PC.
3			266203-8	TAPPING SCREW BIND CT 4X40	3	PC.
4			651423-1	SWITCH	1	PC.
5			631397-2	CONTROLLER	1	PC.
6			417143-5	CONTROLLER HOLDER	1	PC.
7			265995-6	TAPPING SCREW 4X18	2	PC.
8			687052-4	STRAIN RELIEF	1	PC.
9			266034-5	TAPPING SCREW CT 4X16	1	PC.
10			687100-9	STRAIN RELIEF	1	PC.
11			565056-5	CORD W/PLUG 3P-16-2.5M, SJ	1	PC.
		INC.	654110-1	INSULATED RECEPTACLE	1	PC.
		INC.	654113-5	TERMINAL 34108	1	PC.
		INC.	654117-7	INSULATING TERMINAL (OLD# 654037-5)	1	PC.
		INC.	682505-8	CORD GUARD 10-90	1	PC.
13			652014-1	PAN HEAD SCREW M4X8	1	PC.
14			151879-3	MOTOR REAR HOUSING COMPLETE	1	PC.
		INC.	643708-9	BRUSH HOLDER 5-11	2	PC.
15			594356-6	FIELD ASS'Y 115V	1	PC.
		INC.	654069-2	RECEPTACLE	1	PC.
		INC.	654020-2	RING TERMINAL	2	PC.
		INC.	654501-6	CONNECTOR P-1.25	2	PC.
16			417136-2	BAFFLE PLATE	1	PC.
17			911686-4	PAN HEAD SCREW M5X65	2	PC.
18			210005-4	BALL BEARING 608DDW	1	PC.
19			681650-6	INSULATION WASHER	1	PC.
20			518633-2	ARMATURE ASS'Y 115V (OLD# 516406-7 - N/L/A)	1	PC.
		INC.		Item No. 18,19,21		
21			240031-9	FAN 60	1	PC.
22			265081-3	+ P.H.SCREW W3/16-24X10	3	PC.
23			417138-8	BASE PLATE	1	PC.
24			911378-5	PAN HEAD SCREW M6X55	2	PC.
25			271313-8	KNOB 55	2	PC.
26			931301-4	HEX. NUT M6	2	PC.
28			151880-8	ROUTER BASE COMPLETE	1	PC.
29			252014-7	HEX. LOCK NUT M6-10	1	PC.
30			323968-6	SUPPORT PIN	1	PC.
31			344852-2	PLATE	1	PC.
32			344851-4	LOCK LEVER	1	PC.
33			268063-4	PIN 4	1	PC.
34			961056-7	RETAINING RING S-16	1	PC.
35			763642-8	COLLET NUT	1	PC.
37			763641-0	COLLET BODY	1	PC.
38			266035-3	TAPPING SCREW BIND CT 5X12	2	PC.
39			285689-7	BEARING RETAINER 55	1	PC.
40			211228-7	BALL BEARING 6202DDW	1	PC.
41			417137-0	SCALE RING	1	PC.
42			317319-3	MOTOR HOUSING	1	PC.
43			817362-7	CAUTION LABEL	1	PC.
44			852511-9	NAME PLATE RF1101	1	PC.
45	1		191963-2	CARBON BRUSH CB-303 2PC/SET (W/O ORIGIN) -N/L/A	1	SET
	2		194996-6	CARBON BRUSH CB-303 2PC/SET (W/ ORIGIN)	1	SET
46			681009-7	WASHER	2	PC.
47			643750-0	BRUSH HOLDER CAP	2	PC.
48			681655-6	HOLDER RING	2	PC.
49			253853-8	FLAT WASHER 15	1	PC.
50			265746-7	THUMB SCREW M5X37 (to Fix Dust Nozzle on Base)	1	PC.
51			922212-4	HEX. SOCKET HEAD BOLT M5X12 (to install Stright guide)	2	PC.
100			652008-6	P.H. SCREW M3.5 X 7 (F/Switch)	2	PC.
106			654198-1	INSULATED TERMINAL (F/Switch)	1	PC.

Item No	Type	Ref	Ref Part No	Description	Qty	Unit
			<u>ACCESSORIES</u>			
			- See catalogue or visit www.makita.ca for more optional accessories -			
A01			781031-5	WRENCH 27	2	PC.
A02			193214-9	COLLET CONE 1/4" (6.35)	1	PC.
			193215-7	COLLET CONE 1/2" (12.7)	1	PC.
A03			193155-9	CLEAR BASE PLATE (2-1/2"HOLE)	1	PC.
A04			783202-0	HEX. WRENCH 4	1	PC.
A05	1		781213-9	WRENCH 8	1	PC.
	2		781034-9	WRENCH 8 - 24	1	PC.
A06			193073-1	STRAIGHT GUIDE SET	1	PC.
	1		193358-5	STRAIGHT GUIDE W/ MICRO ADJUSTMENT	1	PC.
		INC.	193292-9	ROD 8 SET, 2PC/SET	1	SET
		INC.	193359-3	ROD 12 SET, 2PC/SET	1	SET
		INC.	193360-8	ROD 7 SET, 2PC/SET	1	SET
	2		193312-9	STRAIGHT GUIDE, W/MICRO ADJUSTMENT, STEEL	1	PC.
		INC.	193292-9	ROD 8 SET, 2PC/SET	1	SET
		INC.	193359-3	ROD 12 SET, 2PC/SET	1	SET
		INC.	193360-8	ROD 7 SET, 2PC/SET	1	SET
A07			193103-8	ROUTER BASE SET - See Parts Breakdown 193103-8	1	PC.
		INC.		Item No. 22-26, 28-33, 41		
	Opt.		193457-3	PLUNGE ROUTER BASE SET - See Parts Breakdown 193457-3	1	PC.
	Opt.		193104-6	D-HANDLE BASE SET - See parts breakdown 193104-6	1	PC.
A08			125153-5	PLASTIC CARRYING CASE ASS'Y	1	PC.
		INC.	417700-9	HANDLE	1	PC.
		INC.	416401-6	LATCH(PLASTIC)	2	PC.
A09			763805-6	COLLET SLEEVE 1/2" --> 3/8"	1	PC.
A10			P-80009	DUST NOZZLE SET	1	PC.
A11			-----	DOVETAIL ROUTER BITS		
A12			KJ150	STAIR RULER - See Parts Breakdown KJ150	1	PC.
A13			193366-6	TEMPLER GUIDE 5/8" Use F/KJ150	1	PC.