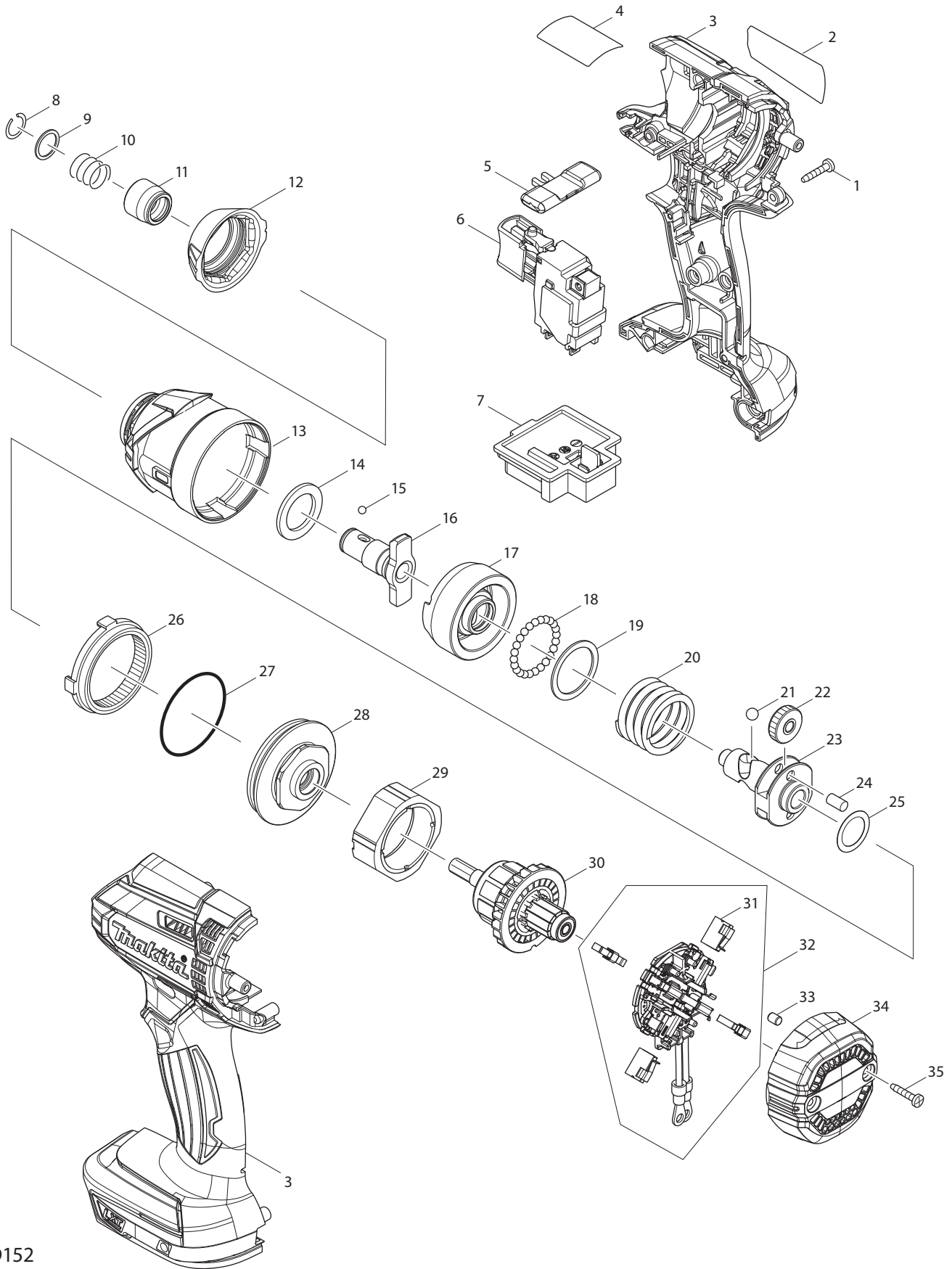




07 - 2015
DTD152RFE / DTD152SYE / DTD152Z
18V LXT 1/4" Impact Driver



Item No.	Type	Sub	Part No.	Description	Qty	Unit
1			266429-2	TAPPING SCREW 3X16	8	PC.
2			851E29-7	NAME PLATE DTD152	1	PC.
3			183B63-4	HOUSING SET	1	PC.
		INC.	263005-3	RUBBER PIN 6	2	PC.
4			806W83-4	CAUTION LABEL	1	PC.
5			455053-8	F/R CHANGE LEVER	1	PC.
6			650751-1	SWITCH	1	PC.
		INC.	620445-2	LED CIRCUIT	1	PC.
7			643852-2	TERMINAL	1	PC.
8			231951-8	RING SPRING 11	1	PC.
9			267085-1	FLAT WASHER 12	1	PC.
10			233005-7	COMPRESSION SPRING 13	1	PC.
11			326068-1	BIT SLEEVE	1	PC.
12			424738-7	BUMPER	1	PC.
13			143299-5	HAMMER CASE COMPLETE	1	PC.
14			261151-6	NYLON WASHER 19	1	PC.
15			216040-0	STEEL BALL 3.5	2	PC.
16			326563-1	ANVIL M	1	PC.
17			326564-9	HAMMER	1	PC.
18			216040-0	STEEL BALL 3.5	24	PC.
19			267175-0	FLAT WASHER 24	1	PC.
20			234251-5	COMPRESSION SPRING 25	1	PC.
21			216041-8	STEEL BALL 5.6	2	PC.
22			227362-3	SPUR GEAR 22	2	PC.
23			326562-3	SPINDLE	1	PC.
24			256253-1	PIN 5	2	PC.
25			253314-8	THIN WASHER 15	1	PC.
26			227378-8	INTERNAL GEAR 51	1	PC.
27			213507-9	O RING 40	1	PC.
28			143298-7	BEARING BOX COMPLETE	1	PC.
29	2		632F93-1	YOKE UNIT	1	PC.
30			619377-8	ARMATURE	1	PC.
31			196855-0	CARBON BRUSH CB-448 2/PC SET W/ORIGIN	2	SET
32			632F23-2	BRUSH HOLDER COMPLETE	1	PC.
		INC.		Item No. 31		
33			263032-0	RUBBER PIN 4	4	PC.
34			456044-2	REAR COVER	1	PC.
35			266429-2	TAPPING SCREW 3X16	2	PC.
100			266622-8	+ TRUSS HEAD SCREW M4X12 F/ HOOK (Item No A01)	1	PC.
D01			652045-0	+PAN HEAD SCREW M3.5X5	2	PC.

ACCESSORIES

- Visit www.makita.ca for more accessories information -

A01			346449-3	HOOK	1	PC.
A03			-----	LI-ION BATTERY ACCESSORIES		
A04			-----	BATTERY CHARGER		
A05			-----	18V LI-ION BATTERY		
A06			763067-6	3/8" DRILL CHUCK	1	PC.
A07			763415-9	CHUCK KEY (F/DRILL CHUCK #763067-6)	1	PC.
A08			192077-0	3/8" KYLS DRILL CHUCK ATTCHMENT	1	PC.
			194250-8	3/8" KYLS DRILL CHUCK ATTCHMENT	1	PC.
A09			191881-4	3/8" DRILL CHUCK ATTCHMENT	1	PC.
A10			784643-3	CONNECT BIT 6.35-44 (F/DRILL CHUCK)	1	PC.
A11			194633-2	ADJUSTABLE DEPTH GAUGE SET (STOPPER)	1	PC.
A12			197043-2	TOOL CATCHER SET	1	PC.
A13			824812-5	PLASTIC CARRYING CASE	1	PC.