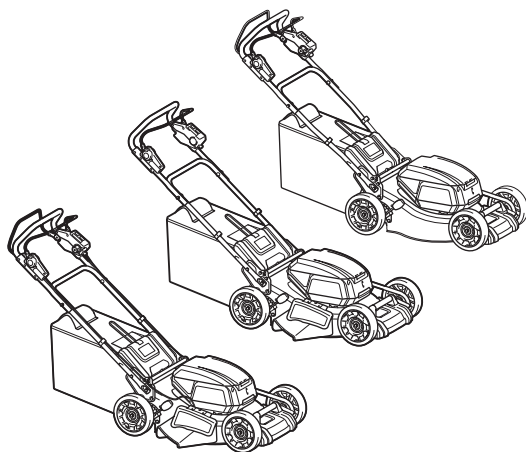


INSTRUCTION MANUAL
MANUEL D'INSTRUCTION
MANUAL DE INSTRUCCIONES



Cordless Lawn Mower Tondeuse Sans Fil Cortadora de Césped

DLM462
DLM530
DLM532



IMPORTANT: Read Before Using.

IMPORTANT : Lire avant usage.

IMPORTANTE: Lea antes de usar.

SPECIFICATIONS

Model:	DLM462	DLM530	DLM532
Mowing width (blade diameter)	460 mm (18-1/8")	534 mm (21")	
No load speed	2,500 /min	2,300 /min	
Maximum speed	3,300 /min	2,800 /min	
Part number of replacement mower blade	191D51-9	191D52-7	
Dimensions (L x W x H)	L: 1,610 mm to 1,690 mm (63-1/2" to 66-1/2") W: 535 mm (21") H: 980 mm to 1,095 mm (38-1/2" to 43")	L: 1,630 mm to 1,715 mm (64" to 67-1/2") W: 590 mm (23-1/4") H: 990 mm to 1,095 mm (39" to 43")	
Traveling speed	2.5 - 5.0 km/h (1.6 - 3.1 mile/h)	–	2.5 - 5.0 km/h (1.6 - 3.1 mile/h)
Rated voltage	D.C. 36 V		
Net weight	36 - 39 kg (79 - 86 lbs)	36 - 40 kg (79 - 88 lbs)	40 - 43 kg (88 - 95 lbs)
Protection degree	IPX4		

- Due to our continuing program of research and development, the specifications herein are subject to change without notice.
- Specifications may differ from country to country.
- The weight may differ depending on the attachment(s), including the battery cartridge. The lightest and heaviest combination, according to EPTA-Procedure 01/2014, are shown in the table.

Applicable battery cartridge and charger

Battery cartridge	BL1815N / BL1820B / BL1830 / BL1830B / BL1840B / BL1850B / BL1860B
Charger	DC18RC / DC18RD / DC18RE / DC18SD / DC18SE / DC18SF

- Some of the battery cartridges and chargers listed above may not be available depending on your region of residence.

⚠ WARNING: Only use the battery cartridges and chargers listed above. Use of any other battery cartridges and chargers may cause injury and/or fire.

SAFETY WARNINGS

IMPORTANT SAFETY INSTRUCTIONS

⚠ WARNING: When using electric lawn mowers, basic safety precautions should always be followed to reduce the risk of fire, electric shock, and personal injury; including the following.

Read All Instructions

Read, understand, and follow all instructions on the mower and in the instruction manuals. Be thoroughly familiar with the controls and the proper use of the mower before starting.

⚠ WARNING!

Training

1. This mower is capable of amputating hands and feet and throwing objects. Failure to observe the following safety instructions could result in serious injury or death.
2. Only allow responsible adults, who are familiar with the instruction, to operate the mower.

Preparation

1. **Keep Children Away** - All visitors should be kept a safe distance from work area. Be alert and turn mower off if a child enters the area. Use extra care when approaching blind corners, shrubs, trees, or other objects that may block your view of a child.
2. **Dress Properly** - Do not wear loose clothing or jewelry. They can be caught in moving parts. Use of rubber gloves and substantial footwear is recommended when working outdoors. Do not operate the mower when barefoot or wearing open sandals.
3. **Use Safety Glasses**- Always use face or dust mask if operation is dusty.
4. **Objects struck by the lawn mower blade can cause severe injuries to persons. The lawn should always be carefully examined and cleared of all objects prior to each mowing. Stay behind the handle when the engine (motor) is running.**
5. **Be sure the area is clear of other people before mowing. Stop mower if anyone enters the area.**
6. **Do not insert the lock key into mower until it is ready to be used.**

7. **Watch for holes, ruts, bumps, rocks, or other hidden objects.** Uneven terrain could cause a slip and fall accident. Tall grass can hide obstacles.
 8. **Check the blades or blade bolts carefully for cracks or damage before operation. Replace cracked or damaged blades or blade bolts immediately.**
 9. **Do not insert or remove the lock key in the rain.**
- Operation**
1. **Avoid Dangerous Environment** - Never operate the mower in damp or wet locations. Always be sure of your footing: keep a firm hold on the handle and walk; never run.
 2. **Don't Use In Rain.**
 3. **Use Right Appliance** - Do not use lawn mower for any job except that for which it is intended.
 4. **Don't Force Lawn Mower** - It will do the job better and safer at the rate for which it was designed.
 5. **Don't Overreach** - Keep proper footing and balance at all times. Do not mow near drop offs, ditches, or embankments. You could lose your footing or balance.
 6. **Stay Alert** - Watch what you are doing. Use common sense. Do not operate lawn mower when you are tired. Do not operate machine while under the influence of alcohol or drugs. A moment of inattention while operating the mower may result in serious personal injury.
 7. **Remove Battery From Lawn Mower** - Remove the battery when not in use, before servicing, cleaning, removing material from the lawn mower, or changing accessories such as mower blades, and the like.
 8. **Keep hands and feet away from cutting area. Keep clear of the discharge opening at all times.**
 9. **If the mower strikes a foreign object, follow these steps:**
 - Stop the mower. Release the switch. Wait until the blade comes to a complete stop.
 - Remove the lock key and the battery cartridge.
 - Inspect the mower for any damage.
 - Repair any damage before restarting and operating the mower. Replace the blade if it is damaged in any way.
 10. **Never direct discharged material toward anyone. Avoid discharging material against a wall or obstruction.** Material may ricochet back toward the operator. Stop the blade when crossing gravel surfaces.
 11. **Do not pull the mower backwards unless absolutely necessary.** When you are compelled to back the mower from a fence or other similar obstruction, look down and behind before and while moving backwards.
 12. **Release switch lever and wait for blade rotation to stop before crossing driveways, walks, roads and any gravel-covered areas.** Also remove the lock key if you leave it, reach to pick up or remove something out of your way, or for any other reason that may distract you from what you are doing.
 13. **Do not operate machine without the entire grass catcher, discharge guard, rear guard, or other safety protective devices in place and working.**
 14. **Stop the motor and remove the lock key whenever you leave the equipment, before cleaning the mower or unclogging the chute and making any repairs or inspections.**
 15. **Shut the motor off and wait until the blade comes to a complete stop before removing the grass catcher.** Beware that the blades coast after turn off.
 16. **Mow only in daylight or good artificial light.**
 17. **If the mower starts to vibrate abnormally (check immediately)**
 - inspect for damage,
 - replace or repair any damaged parts,
 - check for and tighten any loose parts.
 18. **Don't grasp the exposed cutting blades or cutting edges when picking up or holding the appliance.**
 19. **Never attempt to make cutting height adjustments while mower is running if the mower has cutting height adjustment feature.**
 20. **Mow across the face of slopes, never up and down. Exercise extreme caution when changing direction on slopes. Do not mow excessively steep slopes.** Poor footing could cause a slip and fall accident.
 21. **Avoid operating the mower in wet grass.**
 22. **Stop operation immediately if you notice anything unusual. Switch off the mower and remove the lock key. Then inspect the mower.**
 23. **Do not start the mower when standing in front of the discharge opening.**
 24. **Avoid using the mower in bad weather conditions especially when there is a risk of lightning.**
 25. **When you use the machine on muddy ground, wet slope, or slippery place, pay attention to your footing.**
 26. **Avoid working in poor environment where increased user fatigue is expected.**
 27. **Do not use the machine in bad weather where visibility is limited.** Failure to do so may cause fall or incorrect operation due to low visibility.
 28. **Do not submerge the machine into a puddle.**
 29. **When wet leaves or dirt adhere to the suction mouth (ventilation window) due to rain, remove them.**
 30. **Do not use the machine in the snow.**
 31. **If the cut-off grass is wet, it is likely to be clogged inside of the machine. Check the condition of the machine regularly, and remove the adhered grass as necessary.**
 32. **When operating the machine, pay attention to piping and wiring.**
 33. **Do not use a corded power supply such as battery adapter or portable power pack with this machine.** The cable of such power supply may hinder the operation and result in personal injury.

Maintenance and storage

1. **Store Idle Lawn Mower Indoors** - When not in use, lawn mower should be stored in an indoor dry and locked-up place - out of reach of children.
2. **Maintain Lawn Mower With Care** - Keep cutting edges sharp and clean for best and safest performance. Follow instructions for lubricating and changing accessories. Inspect lawn mower cord periodically and if damaged, have it repaired by an authorized service facility. Keep handles dry, clean, and free from oil and grease.
3. **Keep machine free of grass, leaves, or other debris build up. Keep guards in place and in working order.**
4. **Keep blades sharp.**
5. **Use identical replacement blades only.**
6. **Check the grass basket frequently for wear or deterioration. For storage, always make sure the grass basket is empty.** Replace a worn grass basket with a new factory replacement one for safety.
7. **Check grass basket components and the discharge guard frequently and replace with manufacturer's recommended parts, when necessary.**
8. **Check the blade mounting bolt at frequent intervals for proper tightness.**
9. **Keep all nuts, bolts, and screws tight to be sure the equipment is in safe working condition.**
10. **Never remove or tamper with safety devices. Check their proper operation regularly. Never do anything to interfere with the intended function of a safety device or to reduce the protection provided by a safety device.**
11. **Be careful during adjustment of the mower to prevent entrapment of the fingers between moving blades and fixed parts of the mower.**
12. **Always allow the mower to cool down before storing.**
13. **When servicing the blades be aware that, even though the power source is switched off, the blades can still be moved.**
14. **Maintain or replace safety and instruction labels, as necessary.**
15. **Do not leave the machine unattended outdoors in the rain.**
16. **Do not wash the machine with high pressure water.**
17. **When washing the machine, be sure to remove the battery and lock key and close the battery cover, and pour water toward the bottom of the machine to which the blade is attached.**
18. **When storing the machine, avoid direct sunlight and rain, and store it in a place where it does not get hot or humid.**
19. **Perform inspection or maintenance in a place where rain can be avoided.**
20. **After using the machine, remove the adhered dirt and dry the machine completely before storing.** Depending on the season or the area, there is a risk of malfunction due to freezing.

Battery tool use and care

1. **Prevent unintentional starting. Ensure the switch is in the off-position before connecting to battery pack, picking up or carrying the machine.** Carrying the machine with your finger on the switch or energizing machine that have the switch on invites accidents.
2. **Disconnect the battery pack from the machine before making any adjustments, changing accessories, or storing machine.** Such preventive safety measures reduce the risk of starting the machine accidentally.
3. **Recharge only with the charger specified by the manufacturer.** A charger that is suitable for one type of battery pack may create a risk of fire when used with another battery pack.
4. **Use machines only with specifically designated battery packs.** Use of any other battery packs may create a risk of injury and fire.
5. **When battery pack is not in use, keep it away from other metal objects, like paper clips, coins, keys, nails, screws or other small metal objects, that can make a connection from one terminal to another.** Shorting the battery terminals together may cause burns or a fire.
6. **Under abusive conditions, liquid may be ejected from the battery; avoid contact. If contact accidentally occurs, flush with water. If liquid contacts eyes, seek medical help.** Liquid ejected from the battery may cause irritation or burns.
7. **Do not use a battery pack or machine that is damaged or modified. Damaged or modified batteries may exhibit unpredictable behaviour resulting in fire, explosion or risk of injury.**
8. **Do not expose a battery pack or machine to fire or excessive temperature. Exposure to fire or temperature above 130°C (265°F) may cause explosion.**
9. **Follow all charging instructions and do not charge the battery pack or machine outside of the temperature range specified in the instructions.** Charging improperly or at temperatures outside of the specified range may damage the battery and increase the risk of fire.
10. **Have servicing performed by a qualified repair person using only identical replacement parts.** This will ensure that the safety of the product is maintained.
11. **Do not modify or attempt to repair the machine or the battery pack except as indicated in the instructions for use and care.**

Electrical and battery safety

1. **Do not dispose of the battery(ies) in a fire.** The cell may explode. Check with local codes for possible special disposal instructions.
2. **Do not open or mutilate the battery(ies).** Released electrolyte is corrosive and may cause damage to the eyes or skin. It may be toxic if swallowed.
3. **Do not charge battery in rain, or in wet locations.**
4. **Do not charge the battery outdoors.**

5. Do not handle charger, including charger plug, and charger terminals with wet hands.
6. Do not charge lawn mower in rain, or in wet locations.
7. When replacing batteries, all batteries should be replaced at the same time. Mixing fresh and discharged batteries could increase internal cell pressure and rupture the discharged battery.
8. Exercise care in handling batteries in order not to short the battery with conducting materials such as rings, bracelets, and keys. The battery or conductor may overheat and cause burns.
9. Do not replace the battery in the rain.
10. Do not wet the terminal of battery with liquid such as water, or submerge the battery. Do not leave the battery in the rain, nor charge, use, or store the battery in a damp or wet place. If the terminal gets wet or liquid enters inside of battery, the battery may be short circuited and there is a risk of overheat, fire, or explosion.
11. After removing the battery from the machine or charger, be sure to attach the battery cover to the battery and store it in a dry place.
12. Do not replace the battery with wet hands.

Service

1. Have your power tool serviced by a qualified repair person using only identical replacement parts. This will ensure that the safety of the power tool is maintained.
2. Never service damaged battery packs. Service of battery packs should only be performed by the manufacturer or authorized service providers.

SAVE THESE INSTRUCTIONS.

⚠WARNING: Use of this product can create dust containing chemicals which may cause respiratory or other illnesses. Some examples of these chemicals are compounds found in pesticides, insecticides, fertilizers and herbicides.

Your risk from these exposures varies, depending on how often you do this type of work. To reduce your exposure to these chemicals: work in a well ventilated area, and work with approved safety equipment, such as those dust masks that are specially designed to filter out microscopic particles.

Symbols

The followings show the symbols used for tool.

V	volts
— — —	direct current
n ₀	no load speed
... /min r /min	revolutions or reciprocation per minute

Important safety instructions for battery cartridge

1. Before using battery cartridge, read all instructions and cautionary markings on (1) battery charger, (2) battery, and (3) product using battery.
2. Do not disassemble battery cartridge.
3. If operating time has become excessively shorter, stop operating immediately. It may result in a risk of overheating, possible burns and even an explosion.
4. If electrolyte gets into your eyes, rinse them out with clear water and seek medical attention right away. It may result in loss of your eyesight.
5. Do not short the battery cartridge:
 - (1) Do not touch the terminals with any conductive material.
 - (2) Avoid storing battery cartridge in a container with other metal objects such as nails, coins, etc.
 - (3) Do not expose battery cartridge to water or rain.

A battery short can cause a large current flow, overheating, possible burns and even a breakdown.

6. Do not store the tool and battery cartridge in locations where the temperature may reach or exceed 50 °C (122 °F).
7. Do not incinerate the battery cartridge even if it is severely damaged or is completely worn out. The battery cartridge can explode in a fire.
8. Be careful not to drop or strike battery.
9. Do not use a damaged battery.
10. The contained lithium-ion batteries are subject to the Dangerous Goods Legislation requirements. For commercial transports e.g. by third parties, forwarding agents, special requirement on packaging and labeling must be observed. For preparation of the item being shipped, consulting an expert for hazardous material is required. Please also observe possibly more detailed national regulations. Tape or mask off open contacts and pack up the battery in such a manner that it cannot move around in the packaging.
11. When disposing the battery cartridge, remove it from the tool and dispose of it in a safe place. Follow your local regulations relating to disposal of battery.
12. Use the batteries only with the products specified by Makita. Installing the batteries to non-compliant products may result in a fire, excessive heat, explosion, or leak of electrolyte.
13. If the tool is not used for a long period of time, the battery must be removed from the tool.

SAVE THESE INSTRUCTIONS.

⚠CAUTION: Only use genuine Makita batteries. Use of non-genuine Makita batteries, or batteries that have been altered, may result in the battery bursting causing fires, personal injury and damage. It will also void the Makita warranty for the Makita tool and charger.

Tips for maintaining maximum battery life

1. Charge the battery cartridge before completely discharged. Always stop tool operation and charge the battery cartridge when you notice less tool power.
2. Never recharge a fully charged battery cartridge. Overcharging shortens the battery service life.
3. Charge the battery cartridge with room temperature at 10 °C - 40 °C (50 °F - 104 °F). Let a hot battery cartridge cool down before charging it.
4. Charge the battery cartridge if you do not use it for a long period (more than six months).

ASSEMBLY

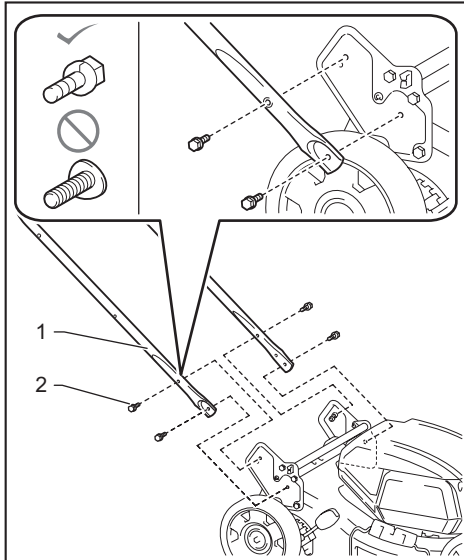
⚠ WARNING: Always be sure that the lock key and battery cartridge are removed before carrying out any work on the mower. Failure to remove the lock key and the battery cartridge may result in serious personal injury from accidental start-up.

⚠ WARNING: Never start the mower unless it is completely assembled. Operation of the machine in a partially assembled state may result in serious personal injury from accidental start-up.

Installing the handle

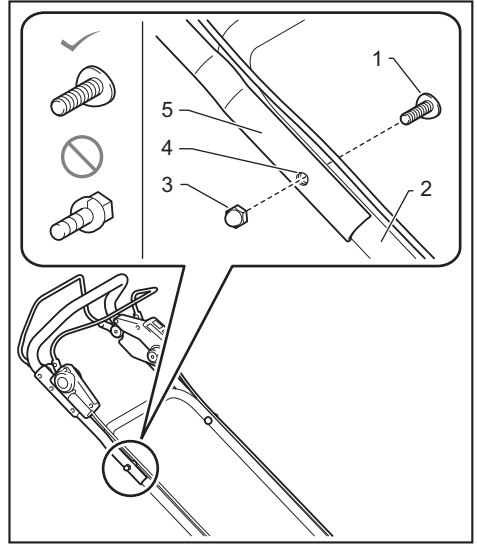
NOTICE: When installing handles, position the cords so that they are not caught by anything between the handles. If the cord is damaged, the mower switch may not work.

1. Align the holes in the lower handle with the holes in the mower body, and then tighten 4 bolts temporarily.



- 1. Lower handle 2. Bolt

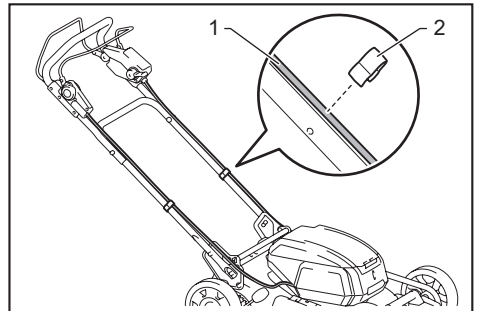
2. Firmly tighten 4 bolts which were temporarily tightened in step 1 using box wrench 13.
3. Align the hole in the lower handle with the hole in the upper handle, then insert the bolt from inside, and then tighten the nut from outside with box wrench 13. Perform the same procedure on the other side.



- 1. Bolt 2. Lower handle 3. Nut 4. Hole 5. Upper handle

⚠ CAUTION: Hold the upper handle firmly so that it does not drop off your hand. Otherwise, the handle may fall and cause an injury.

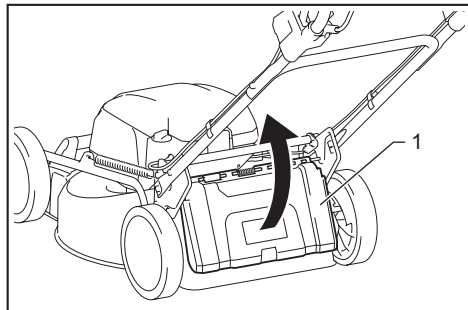
4. Attach the holders to the handle. Align the protrusions on the holder with the holes on the handle so that the protrusions fit in the holes. Position the cords as shown in the figure.



- 1. Cord 2. Holder

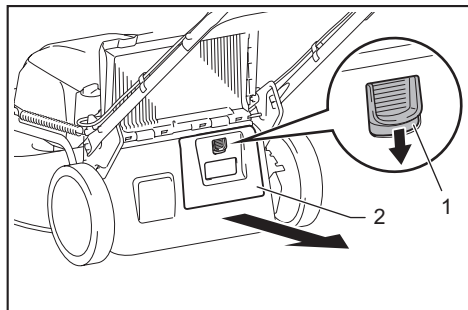
Removing the mulching plug

1. Open the rear cover.



- 1. Rear cover

2. Remove the mulching plug while holding down the lever.

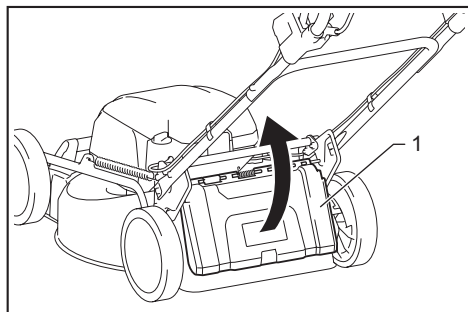


- 1. Lever 2. Mulching plug

Installing or removing the grass basket

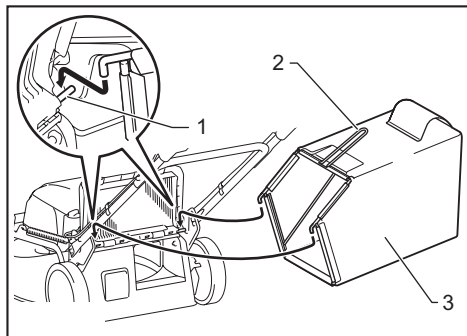
To install the grass basket, follow the steps below.

1. Open the rear cover.



- 1. Rear cover

2. Hold the handle of the grass basket, and then hook the grass basket on the rod of the mower body as shown in the figure.

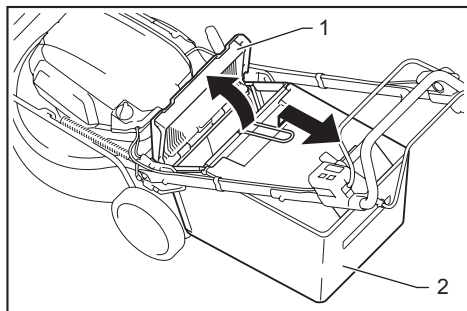


- 1. Rod 2. Handle 3. Grass basket

To remove the grass basket, open the rear cover, and then remove the grass basket by holding the handle.

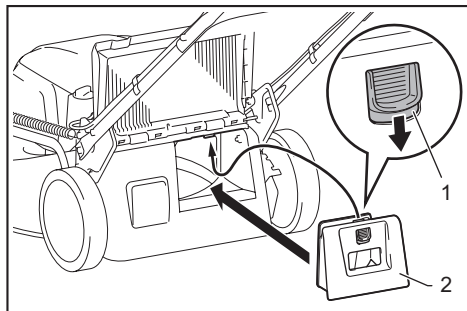
Attaching the mulching plug

1. Open the rear cover, and then remove the grass basket.



- 1. Rear cover 2. Grass basket

2. Attach the mulching plug while holding down the lever, and then release the lever to lock the mulching plug.

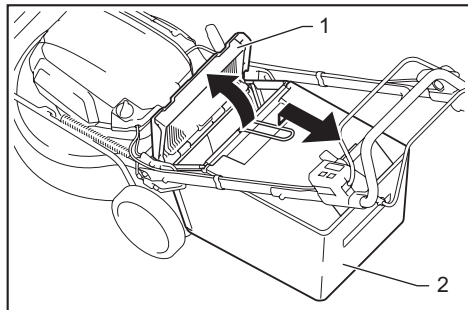


- 1. Lever 2. Mulching plug

Attaching the discharge attachment

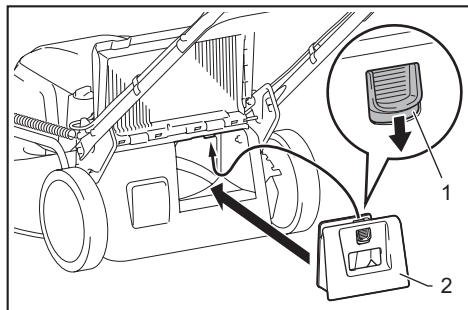
For DLM530/DLM532

1. Open the rear cover, and then remove the grass basket.



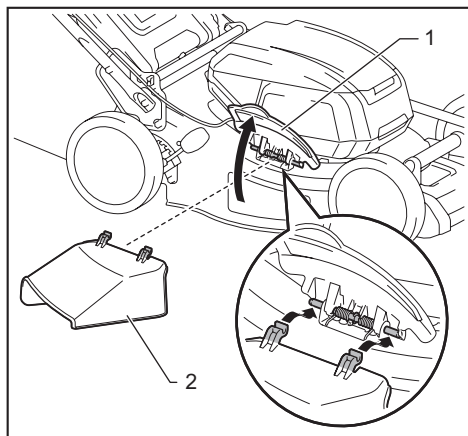
- 1. Rear cover 2. Grass basket

2. Attach the mulching plug while holding down the lever, and then release the lever to lock the mulching plug.



- 1. Lever 2. Mulching plug

3. Open the right side cover, and then attach the discharge attachment. Insert the hooks of the discharge attachment under the rod of the right side cover.



- 1. Right side cover 2. Discharge attachment

FUNCTIONAL DESCRIPTION

Installing or removing battery cartridge

CAUTION: Always switch off the machine before installing or removing of the battery cartridge.

CAUTION: Hold the machine and the battery cartridge firmly when installing or removing battery cartridge. Failure to hold the machine and the battery cartridge firmly may cause them to slip off your hands and result in damage to the machine and battery cartridge and a personal injury.

CAUTION: Make sure that you lock the battery cover before use. Otherwise, mud, dirt, or water may cause damage to the product or the battery cartridge.

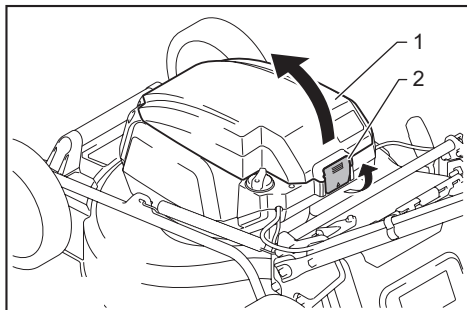
CAUTION: Always install the battery cartridge fully until the red indicator cannot be seen. If not, it may accidentally fall out of the machine, causing injury to you or someone around you.

CAUTION: Do not install the battery cartridge forcibly. If the cartridge does not slide in easily, it is not being inserted correctly.

NOTE: The machine does not work with only one battery cartridge.

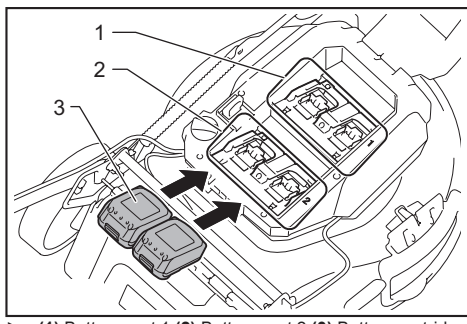
To install the battery cartridge;

1. Pull up the locking lever, and then open the battery cover.



- 1. Battery cover 2. Locking lever

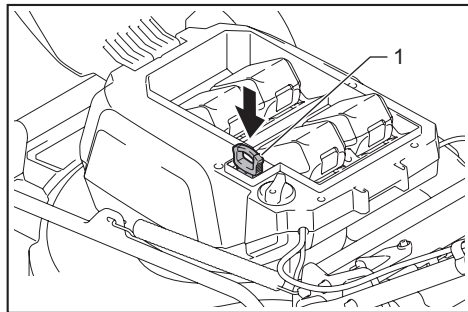
2. Align the tongue on the battery cartridge with the slot on the machine, and then slide the cartridge until it locks in place with a little click.



- (1) Battery port 1 (2) Battery port 2 (3) Battery cartridge

NOTE: Install at least 2 battery cartridges to battery port 1 or battery port 2.

3. Insert the lock key in the place shown in the figure as far as it will go.



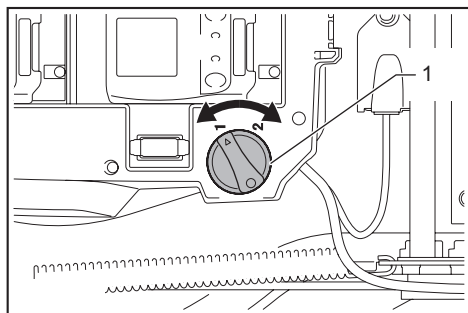
► 1. Lock key

4. Close the battery cover and push it until it is latched with the locking lever.

To remove the battery cartridge;

1. Pull up the locking lever and open the battery cover.
2. Pull out the battery cartridge from the machine while sliding the button on the front of the cartridge.
3. Pull out the lock key.
4. Close the battery cover.

Switching the battery cartridges



► 1. Battery selection switch

The machine uses 2 battery cartridges for operation at a time. Up to 4 battery cartridges can be installed to the machine. Before operating the machine, select the battery port 1 or battery port 2 by turning the battery selection switch.

NOTE: If only 2 battery cartridges are installed to the machine, be sure to select the battery port to which the battery cartridges are installed using the battery selection switch.

Machine / battery protection system

The machine is equipped with a machine/battery protection system. This system automatically cuts off power to the motor to extend machine and battery life. The machine will automatically stop during operation if the machine or battery is placed under one of the following conditions:

Overload protection

When the battery is operated in a manner that causes it to draw an abnormally high current, the machine automatically stops and the main power lamp blinks in green. In this situation, turn the machine off and stop the application that caused the machine to become overloaded. Then turn the machine on to restart.

Overheat protection

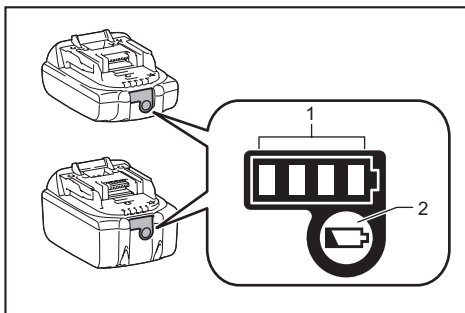
When the machine or battery is overheated, the machine stops automatically and the main power lamp lights up in red. In this case, let the machine and battery cool before turning the machine on again.

Overdischarge protection

When the battery capacity is not enough, the machine stops automatically and the main power lamp blinks in red. In this case, remove the battery from the machine and charge the battery cartridges or change the battery cartridges to fully charged ones.

Indicating the remaining battery capacity

Only for battery cartridges with the indicator



► 1. Indicator lamps 2. Check button

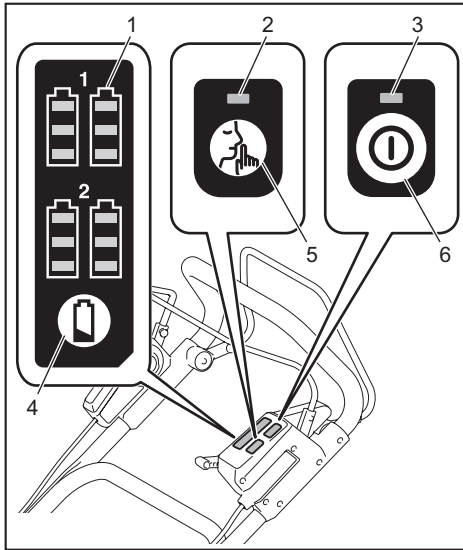
Press the check button on the battery cartridge to indicate the remaining battery capacity. The indicator lamps light up for a few seconds.

Indicator lamps			Remaining capacity
Lighted	Off	Blinking	
■ ■ ■ ■			75% to 100%
■ ■ ■ □			50% to 75%
■ ■ □ □			25% to 50%
■ □ □ □			0% to 25%
▩ □ □ □			Charge the battery.
■ ■ □ □			The battery may have malfunctioned.
□ □ ■ ■			

NOTE: Depending on the conditions of use and the ambient temperature, the indication may differ slightly from the actual capacity.

Control panel

The control panel has the main power switch, the mode switching button, and the indicator of remaining battery capacity.



- 1. Battery indicator 2. Mode switching lamp 3. Main power lamp 4. Check button 5. Mode switching button 6. Main power switch

Main power switch

WARNING: Always turn off the main power switch when not in use.

To turn on the machine, press the main power switch. The main power lamp lights up in green. To turn off the machine, press the main power switch again.

NOTE: If the main power lamp lights up in red or blinks in red or green, refer to the instructions for machine/battery protection system.

NOTE: This machine employs the auto power-off function. To avoid unintentional start up, the main power switch will automatically shut down when the switch lever and drive lever (if equipped) are not pulled for a certain period after the main power switch is turned on.

Mode switching button

You can switch the operating mode by pressing the mode switching button. When the machine is turned on, the machine starts up in the normal mode. When you press the mode switching button, the machine shifts to the noise reduction mode and the mode switching lamp lights up in green. In the noise reduction mode, you can decrease the noise at mowing. When you press the mode switching button again, the machine returns to the normal mode.

Indicating the remaining battery capacity

Press the check button to indicate the remaining battery capacities. The battery indicators correspond to each battery.

Battery indicator status		Remaining battery capacity
On	Off	
		50% - 100%
		20% - 50%
		0% - 20%

NOTE: The indicator lamps for remaining battery capacity is just for a reference. The actual battery capacity may differ depending on the usage conditions.

NOTE: Before you press the check button to indicate the remaining battery capacities, stop the machine.

Switch action

WARNING: Before installing the battery cartridge, always check to see that the switch lever actuates properly and returns to the original position when released. Operating the machine with a switch that does not actuate properly can lead to loss of control and serious personal injury.

NOTE: The mower does not start without pressing the switch button even the switch lever is pulled.

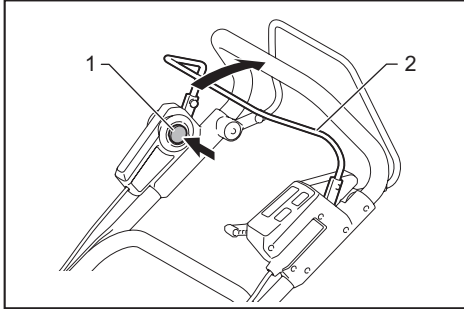
NOTE: Mower may not start due to the overload when you try to mow long or dense grass at a time. Increase the mowing height in this case.

This mower is equipped with the lock key and handle switch. If you notice anything unusual with either of the lock key or switch, stop the operation immediately and have them checked by your nearest Makita Authorized Service Center.

For DLM462/DLM532

1. Install the battery cartridges. Insert the lock key, and then close the battery cover.
2. Select the battery cartridges used for operation by turning the battery selection switch.
3. Press the main power switch.

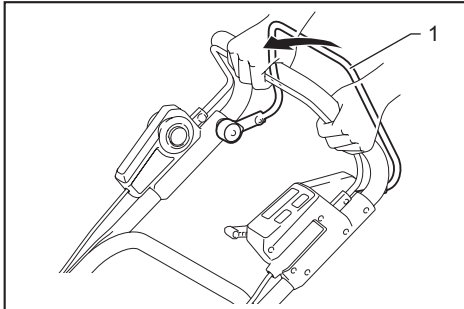
4. Pull the switch lever toward you while holding down the switch button. Release the switch button as soon as the motor starts running.



► 1. Switch button 2. Switch lever

NOTE: If the lock key is not inserted, the power lamp blinks in green when you pull the switch lever.

5. While holding the switch lever, push the drive lever forward and hold it to drive the rear wheels.



► 1. Drive lever

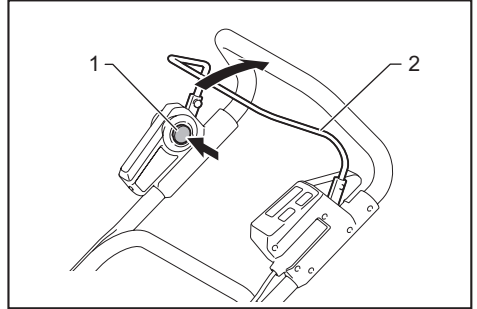
NOTE: You can drive the rear wheels by pushing the drive lever forward and hold it without pulling the switch lever.

6. Release the drive lever and the switch lever to stop the machine.

For DLM530

1. Install the battery cartridges. Insert the lock key, and then close the battery cover.
2. Select the battery cartridges used for operation by turning the battery selection switch.
3. Press the main power switch.

4. Pull the switch lever toward you while holding down the switch button. Release the switch button as soon as the motor starts running.



► 1. Switch button 2. Switch lever

NOTE: If the lock key is not inserted, the power lamp blinks in green when you pull the switch lever.

5. Release the switch lever to stop the motor.

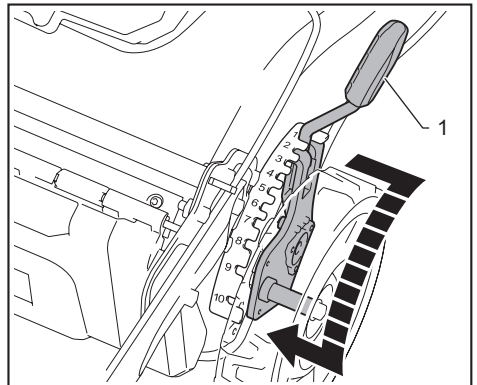
Adjusting the mowing height

⚠ WARNING: Never put your hand or leg under the mower body when adjusting the mowing height.

⚠ WARNING: Always make sure that the lever fits in the groove properly before operation.

The mowing height can be adjusted in the range of between 20 mm (13/16") and 100 mm (3-15/16").

Remove the lock key, and then pull the mowing height adjusting lever outward of the mower body and move it to your desired mowing height.

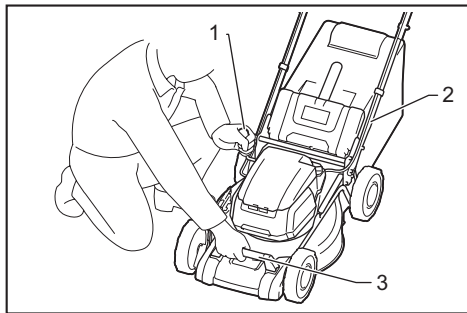


► 1. Mowing height adjusting lever

The table below shows the relationship between the number on the mower body and the approximate mowing height.

Number	Mowing height
1	20 mm (13/16")
2	26 mm (1")
3	32 mm (1-1/4")
4	39 mm (1-9/16")
5	47 mm (1-7/8")
6	55 mm (2-3/16")
7	63 mm (2-1/2")
8	74 mm (2-15/16")
9	86 mm (3-3/8")
10	100 mm (3-15/16")

Hold the front grip or the lower handle with one hand, and then move the mowing height adjusting lever with the other hand.



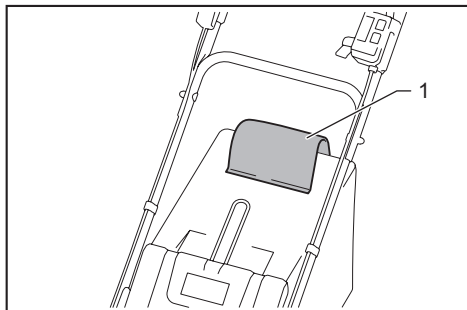
- 1. Mowing height adjusting lever 2. Lower handle 3. Front grip

NOTE: The mowing height figures should be used just as a guideline. Depending on the conditions of the lawn or the ground, the actual lawn height may become slightly different from the set height.

NOTE: Try a test mowing of grass in a less conspicuous place to get your desired height.

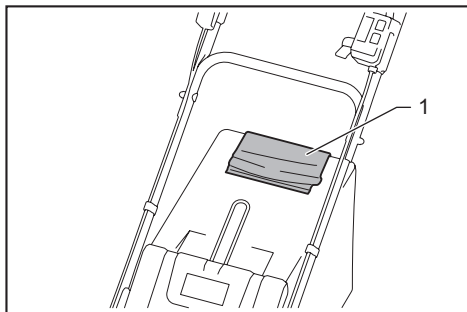
Grass level indicator

Grass level indicator shows the volume of mowed grass. When the grass basket is not full, the indicator floats while the blades are running.



- 1. Grass level indicator

When the grass basket is almost full, the indicator does not float while the blades are running. In this case, stop the operation immediately and empty the basket.



- 1. Grass level indicator

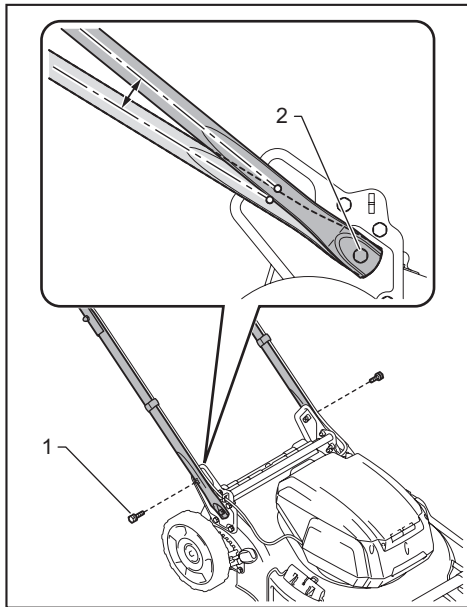
NOTE: This indicator is a rough guide. Depending on the conditions of inside of the basket, this indicator may not work properly.

Adjusting the handle height

CAUTION: Before removing the bolts, hold the upper handle firmly. Otherwise, the handle may fall and cause an injury.

The handle height can be adjusted in two levels.

1. Remove the upper bolts of the lower handle using box wrench 13, and then loosen the lower bolts.

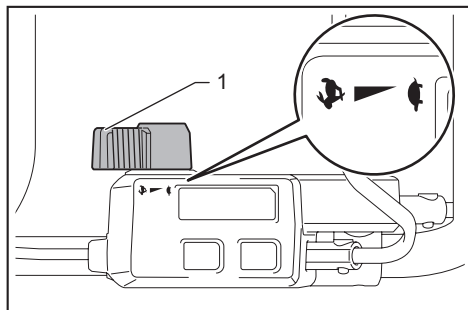


- 1. Upper bolt 2. Lower bolt

2. Adjust the handle height, and then tighten the upper and lower bolts firmly.

Adjusting the traveling speed

For DLM462/DLM532



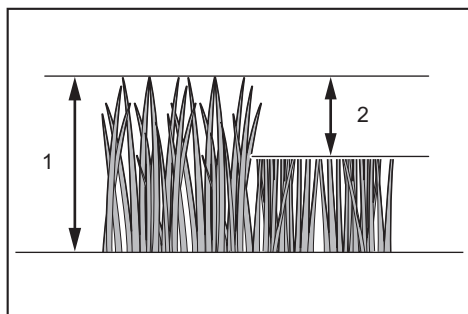
► 1. Speed lever

The traveling speed can be adjusted with the speed lever. To decrease the speed, pull the lever toward you, and to increase the speed, turn the lever forward.

Using mulching plug

The mulching plug allows you to return the cut grass to the ground without gathering the cut grass in the grass basket. When you operate the machine with the mulching plug, be sure to remove the grass basket.

NOTICE: When using the machine with the mulching plug, make sure that the total length of grass is 30 mm (1-3/16") or more, or the cut length is 15 mm (9/16") or less.



► (1) 30 mm (1-3/16") or more (2) 15 mm (9/16") or less

Using discharge attachment

For DLM530/DLM532

The discharge attachment allows you to discharge the cut grass to the ground from the right side of the machine without gathering the cut grass in the grass basket. When you operate the machine with the discharge attachment, be sure to install the mulching plug and remove the grass basket.

Electronic function

The machine is equipped with the electronic functions for easy operation.

- Constant speed control of blade rotation
Electronic speed control for obtaining constant speed. Possible to get fine finish, because the rotating speed is kept constant even under load condition.
- Soft start at driving
The soft-start function minimizes start-up shock, and makes the machine start smoothly.
- Electric brake
This machine is equipped with an electric brake. If the machine consistently fails to quickly stop the mower blades after releasing the switch lever, have the machine serviced at Makita Authorized Service Center.

OPERATION

Mowing

WARNING: Before mowing, clear away sticks and stones from mowing area. Furthermore, clear away any weeds from mowing area in advance.

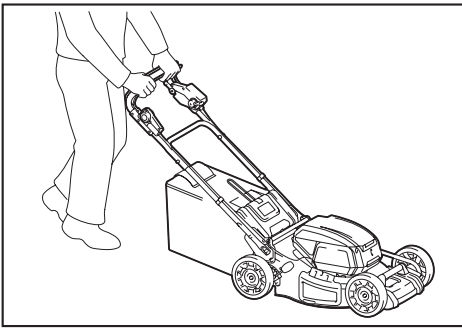
WARNING: Always wear the safety goggles or safety glasses with side shields when operating the mower.

CAUTION: If the cut grass or foreign object blocks up inside of the mower body, be sure to remove the lock key and battery cartridge and wear gloves before removing the grass or foreign object.

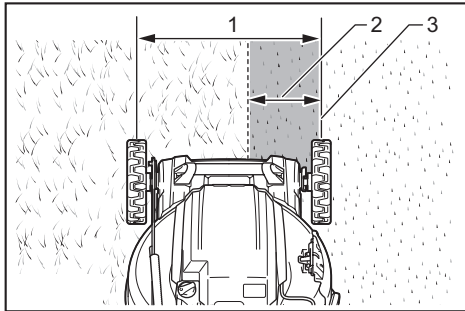
NOTICE: Use this machine for mowing lawn only. Do not mow weeds with this machine.



Firmly hold the handle with both hands when mowing. The mowing speed guideline is approximately 7 to 14 meters (23 - 46 ft.) per 10 seconds.

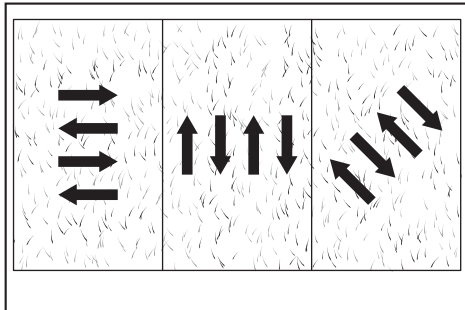


The center lines of the front wheels are guidelines to mowing width. Using the center lines as guidelines, mow in strips. Overlap by one half to one third the previous strip to mow the lawn evenly.



► 1. Mowing width 2. Overlapping area 3. Center line

Change the mowing direction each time to prevent the grass grain pattern from forming in just one direction.

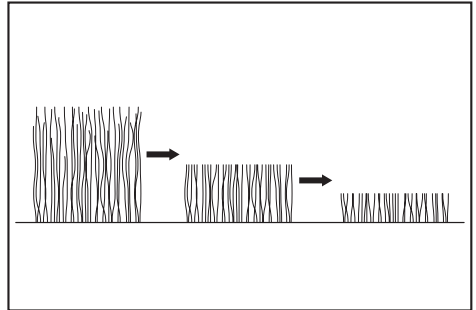


Periodically check the grass basket for mowed grass. Empty the grass before it becomes full. Before every periodical check, be sure to stop the mower then remove the lock key and the battery cartridge.

NOTICE: Using the mower with the grass basket full prevents smooth blade rotation and places an extra load on the motor, which may cause breakdown.

Mowing a long-grass lawn

Do not try to cut long grass all at once. Instead, mow the lawn in steps. Leave a day or two between mowings until the lawn becomes evenly short.

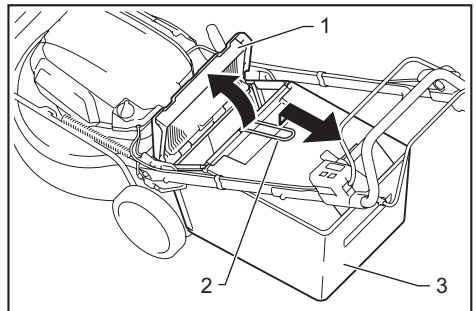


NOTE: Mowing long grass to a short length all at once may cause the grass to die. The cut grass may also block up inside of the mower body.

Emptying the grass basket

WARNING: To reduce a risk of accident, regularly check the grass basket for any damage or weakened strength. Replace the grass basket if necessary.

1. Release the switch lever and drive lever (for DLM462/DLM532), or release the switch lever (for DLM530).
2. Remove the lock key.
3. Open the rear cover and take out the grass basket by holding the handle.



► 1. Rear cover 2. Handle 3. Grass basket

4. Empty the grass basket.

MAINTENANCE

⚠ WARNING: Always be sure that the lock key and battery cartridge are removed from the mower before storing or carrying the mower or attempting to perform inspection or maintenance.

⚠ WARNING: Always remove the lock key when the mower is not in use. Store the lock key in a safe place out of reach of children.

⚠ WARNING: Wear gloves when performing inspection or maintenance.

⚠ WARNING: Always wear the safety goggles or safety glasses with side shields when performing inspection or maintenance.

NOTICE: Never use gasoline, benzine, thinner, alcohol or the like. Discoloration, deformation or cracks may result.

To maintain product SAFETY and RELIABILITY, repairs, any other maintenance or adjustment should be performed by Makita Authorized or Factory Service Centers, always using Makita replacement parts.

Maintenance

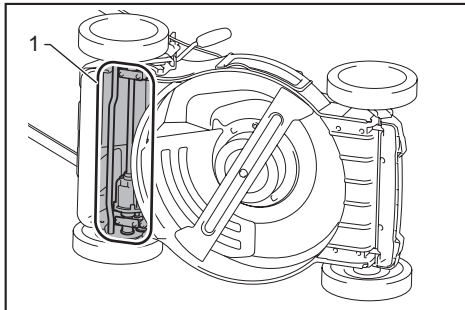
1. Remove the lock key and battery cartridges, and then close the battery cover.
2. Put the mower on its side so that the mowing height adjusting lever comes to the upper side. Clean grass clippings accumulated on the underside of mower deck.
3. Pour water toward the bottom of the machine to which the blade is attached.

NOTICE: Do not wash the machine with high pressure water.

4. Check all nuts, bolts, screws, etc. for tightness.
5. Inspect moving parts for damage, breakage, and wear. Damaged or missing parts should be repaired or replaced.
6. Store the mower in a safe place out of the reach of children.

For DLM462/DLM532

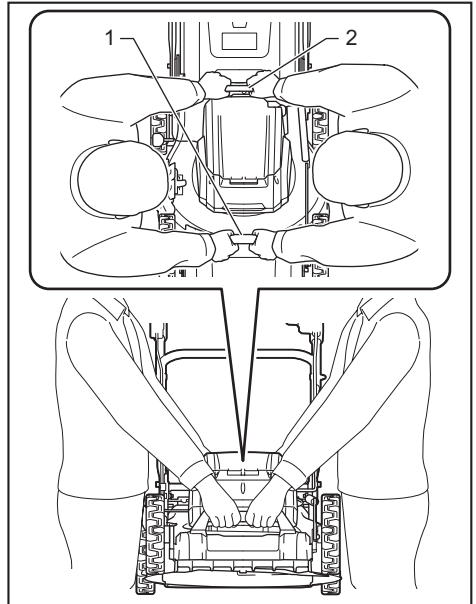
NOTICE: Do not pour water to the area shown in the figure. Pouring water to the motor unit may cause a malfunction of the machine.



- 1. Area where water should not be poured

Carrying the mower

When carrying the mower, hold the front grip and rear grip with two people as shown in the figure.



- 1. Front grip 2. Rear grip

Storing

Store mower indoors in a cool, dry and locked place. Don't store the mower and charger in locations where the temperature may reach or exceed 40 °C (104 °F).

Removing or installing the mower blade

⚠ WARNING: The blade coasts for a few seconds after releasing the switch. Do not start any operation until the blade comes to a complete stop.

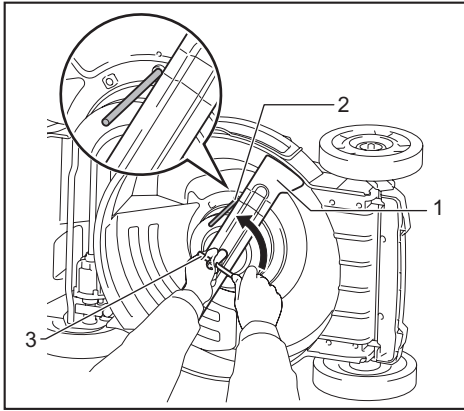
⚠ WARNING: Always remove the lock key and battery cartridge when removing or installing the blade. Failure to remove the lock key and battery cartridge may cause a serious injury.

⚠ WARNING: Always wear gloves when handling the blade.

Removing the mower blade

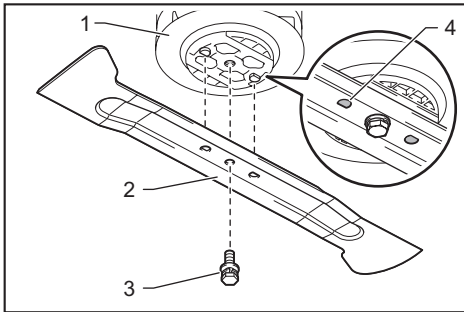
1. Put the mower on its side so that the mowing height adjusting lever comes to the upper side.
2. To lock the blade, insert the pin into a hole on the mower body.

3. Turn the bolt counterclockwise with box wrench 17.



- 1. Mower blade 2. Pin 3. Box wrench

4. Remove the bolt, and then mower blade.



- 1. Blade support 2. Mower blade 3. Bolt
4. Protrusion

NOTICE: When installing the mower blade, make sure that the protrusions on the blade support fit in the holes in the mower blade.

Installing the mower blade

⚠WARNING: Install the mower blade carefully. It has a top/bottom facing.

⚠WARNING: Tighten the bolt clockwise firmly to secure the blade.

⚠WARNING: Make sure that the mower blade and all the fixing parts are installed correctly and tightened securely.

⚠WARNING: When you replace the blades, always follow the instructions provided in this manual.

NOTICE: After installing the mower blades, remove the pin from the mower body.

To install the mower blades, perform the removal procedure in reverse.

TROUBLESHOOTING

Before asking for repairs, conduct your own inspection first. If you find a problem that is not explained in the manual, do not attempt to disassemble the machine. Instead, ask Makita Authorized Service Centers, always using Makita replacement parts for repairs.

State of abnormality	Probable cause (malfunction)	Remedy
Mower does not start.	Two battery cartridges are not installed.	Install two charged battery cartridges.
	Battery problem (under voltage)	Recharge the battery cartridge. If recharging is not effective, replace battery cartridge.
	The lock key is not inserted.	Insert the lock key.
	Battery selection switch is not in the correct position.	Select the battery port to which the battery cartridges are installed using the battery selection switch.
Motor stops running after a little use.	Battery's charge level is low.	Recharge the battery cartridge. If recharging is not effective, replace battery cartridge.
	Cutting height is too low.	Increase the cutting height.
	Cut grass is clogged in the mower.	Remove the clogged grass from the mower.
Motor does not reach maximum RPM.	Battery cartridge is installed improperly.	Install the battery cartridge as described in this manual.
	Battery power is dropping.	Recharge the battery cartridge. If recharging is not effective, replace battery cartridge.
	The drive system does not work correctly.	Ask your local authorized service center for repair.
Mower blade does not rotate: ⇒ stop the mower immediately!	Foreign object such as a branch is jammed near the blade.	Remove the foreign object.
	The drive system does not work correctly.	Ask your local authorized service center for repair.
Abnormal vibration: ⇒ stop the mower immediately!	Blade is imbalanced, excessively or unevenly worn.	Replace the blade.

OPTIONAL ACCESSORIES

⚠ CAUTION: These accessories or attachments are recommended for use with your Makita machine specified in this manual. The use of any other accessories or attachments might present a risk of injury to persons. Only use accessory or attachment for its stated purpose.

If you need any assistance for more details regarding these accessories, ask your local Makita Service Center.

- Mower blade
- Makita genuine battery and charger

NOTE: Some items in the list may be included in the product package as standard accessories. They may differ from country to country.

MAKITA LIMITED WARRANTY

Please refer to the annexed warranty sheet for the most current warranty terms applicable to this product. If annexed warranty sheet is not available, refer to the warranty details set forth at below website for your respective country.

United States of America: www.makitatools.com

Canada: www.makita.ca

Other countries: www.makita.com

SPÉCIFICATIONS

Modèle :	DLM462	DLM530	DLM532
Largeur de tonte (diamètre de lame)	460 mm (18-1/8")	534 mm (21")	
Vitesse à vide	2 500 /min	2 300 /min	
Vitesse maximale	3 300 /min	2 800 /min	
Numéro de pièce de la lame de tondeuse de rechange	191D51-9	191D52-7	
Dimensions (L x P x H)	L : 1 610 mm à 1 690 mm (63-1/2" à 66-1/2") P : 535 mm (21") H : 980 mm à 1 095 mm (38-1/2" à 43")	L : 1 630 mm à 1 715 mm (64" à 67-1/2") P : 590 mm (23-1/4") H : 990 mm à 1 095 mm (39" à 43")	
Vitesse de déplacement	2,5 - 5,0 km/h (1,6 - 3,1 mile/h)	-	2,5 - 5,0 km/h (1,6 - 3,1 mile/h)
Tension nominale	C.C. 36 V		
Poids net	36 - 39 kg (79 - 86 lbs)	36 - 40 kg (79 - 88 lbs)	40 - 43 kg (88 - 95 lbs)
Degré de protection	IPX4		

- Étant donné l'évolution constante de notre programme de recherche et développement, les spécifications contenues dans ce manuel sont sujettes à modification sans préavis.
- Les spécifications peuvent varier suivant les pays.
- Le poids peut varier selon les accessoires, y compris la batterie. La plus légère et la plus lourde combinaisons, selon la procédure EPTA 01/2014, sont indiquées dans le tableau.

Batteries et chargeurs applicables

Batterie	BL1815N / BL1820B / BL1830 / BL1830B / BL1840B / BL1850B / BL1860B
Chargeur	DC18RC / DC18RD / DC18RE / DC18SD / DC18SE / DC18SF

- Suivant la région où vous habitez, il se peut que certaines des batteries et certains des chargeurs énumérés ci-dessus ne soient pas disponibles.

⚠ MISE EN GARDE : Utilisez exclusivement les batteries et chargeurs énumérés ci-dessus. L'utilisation de toute autre batterie ou tout autre chargeur peut entraîner une blessure et/ou un incendie.

CONSIGNES DE SÉCURITÉ

IMPORTANTES CONSIGNES DE SÉCURITÉ

⚠ MISE EN GARDE : Pour réduire les risques d'incendie, de décharge électrique et de blessure lors de l'utilisation des tondeuses électriques, il importe de toujours prendre des mesures de sécurité élémentaires, dont les suivantes.

Lisez toutes les instructions.

Vous devez lire, comprendre et respecter toutes les instructions inscrites sur la tondeuse et dans les manuels d'instructions. Avant de commencer, familiarisez-vous bien avec les commandes et l'utilisation adéquate de la tondeuse.

⚠ MISE EN GARDE !

Initiation

1. Cette tondeuse peut amputer des mains et des pieds et éjecter des objets. Le non-respect des consignes de sécurité suivantes peut entraîner de graves blessures ou la mort.
2. N'autorisez que des adultes responsables, qui connaissent les instructions, à utiliser la tondeuse.

Préparatifs

1. **Tenez les enfants à distance** - Tous les visiteurs doivent être maintenus à une distance raisonnable de la zone de travail. Soyez attentif et éteignez la tondeuse si un enfant s'approche de la zone de travail. Soyez particulièrement vigilant aux abords d'angles sans visibilité, de buissons, d'arbres ou d'autres obstacles qui pourraient vous empêcher de voir un enfant.
2. **Portez des vêtements adéquats** - Ne portez ni vêtements amples ni bijoux. Ils pourraient être happés par les pièces mobiles. Le port de gants de caoutchouc et de chaussures robustes est recommandé pour les travaux extérieurs. Ne faites pas fonctionner la tondeuse si vous êtes pieds nus ou si vous portez des sandales ouvertes.

3. **Portez des lunettes de sécurité** - Si le travail génère de la poussière, portez toujours un écran facial ou un masque antipoussières.
 4. **Des objets heurtés par la lame de tondeuse peuvent causer de graves blessures aux personnes se trouvant à proximité. La pelouse doit toujours être examinée attentivement et débarrassée de tout objet avant la tonte. Restez derrière le guidon pendant que le moteur tourne.**
 5. **Avant de tondre, assurez-vous qu'il n'y a personne d'autre que vous dans la zone. Arrêtez la tondeuse si quelqu'un pénètre dans la zone.**
 6. **N'insérez pas la clé de sécurité dans la tondeuse si celle-ci n'est pas prête pour l'utilisation.**
 7. **Faites attention aux trous, ornières, bosses, cailloux ou autres obstacles cachés.** Un terrain irrégulier présente des risques de glissades et de chutes. Des obstacles peuvent être cachés dans les herbes hautes.
 8. **Avant l'utilisation, vérifiez toujours soigneusement l'absence de fissures ou de dommages sur les lames ou les boulons de lame. Remplacez immédiatement la lame ou le boulon de lame fissuré ou endommagé.**
 9. **N'insérez pas ou ne retirez pas la clé de sécurité sous la pluie.**
- Arrêtez la tondeuse. Relâchez l'interrupteur. Attendez l'arrêt complet de la lame.
 - Retirez la clé de sécurité et la batterie.
 - Vérifiez l'absence de dommages sur la tondeuse.
 - Réparez tout dommage sur la tondeuse avant de la redémarrer et de l'utiliser. Remplacez la lame si elle est endommagée.
10. **Assurez-vous que les matériaux projetés ne le soient jamais en direction de qui que ce soit. Évitez de projeter les matériaux contre un mur ou un obstacle.** Ces matériaux pourraient ricocher vers l'utilisateur. Arrêtez la lame lorsque vous traversez une surface de gravier.
 11. **Ne tirez pas la tondeuse vers l'arrière, à moins que cela ne soit absolument nécessaire.** Si vous devez tirer la tondeuse vers l'arrière pour éviter une clôture ou autre obstacle similaire, regardez en bas et derrière avant et pendant la marche arrière.
 12. **Relâchez le levier d'interrupteur et attendez que la lame cesse de tourner avant de traverser une voie d'accès pour autos, une allée, une route ou toute surface couverte de gravier.** Retirez également la clé de sécurité si vous vous en éloignez, si vous vous étirez pour ramasser ou enlever quelque chose de votre passage, ou pour toute autre raison qui pourrait détourner votre attention.

Utilisation

1. **Évitez les environnements dangereux** - N'utilisez jamais la tondeuse dans les emplacements humides ou mouillés. Assurez-vous toujours d'être en position stable; saisissez fermement le guidon et marchez; ne courez jamais.
2. **Évitez l'utilisation sous la pluie.**
3. **Utilisez le bon appareil** - N'utilisez pas la tondeuse pour effectuer un travail pour lequel elle n'a pas été conçue.
4. **Ne forcez pas la tondeuse** - Elle effectuera un travail de meilleure qualité et plus sécuritaire si elle est utilisée au régime pour lequel elle a été conçue.
5. **Ne vous étirez pas trop** - Assurez-vous d'une bonne prise au sol et d'une bonne position d'équilibre en tout temps. Ne tondez pas près des descentes abruptes, fossés et talus. Vous risqueriez de perdre pied ou de perdre l'équilibre.
6. **Restez vigilant** - Soyez attentif à vos gestes. Faites preuve de bon sens. N'utilisez pas la tondeuse lorsque vous êtes fatigué. N'utilisez pas la machine si vous avez consommé de l'alcool ou une drogue. Un moment d'inattention pendant l'utilisation de la tondeuse peut entraîner une grave blessure.
7. **Retirez la batterie de la tondeuse à gazon** - Retirez la batterie après l'utilisation, avant de réparer la tondeuse, de la nettoyer ou d'en retirer un matériau, ou avant de remplacer des accessoires tels que les lames de tondeuse.
8. **N'approchez pas les mains et les pieds de la zone de coupe. Tenez-vous éloigné de l'ouverture de décharge en tout temps.**
9. **Si la tondeuse heurte un corps étranger, suivez ces étapes :**
 13. **N'utilisez pas la machine sans que le bac de ramassage, la protection d'évacuation, la protection arrière et les autres dispositifs de sécurité ne soient installés et en fonctionnement.**
 14. **Arrêtez le moteur et retirez la clé de sécurité chaque fois que vous vous éloignez de l'équipement, avant de nettoyer la tondeuse ou de déboucher le déflecteur et de faire des réparations ou inspections.**
 15. **Éteignez le moteur et attendez l'arrêt complet de la lame avant de retirer le bac de ramassage.** Soyez conscient du fait que la lame continue de tourner en roue libre après l'arrêt du moteur.
 16. **Ne tondez qu'à la lumière du jour ou avec une bonne lumière artificielle.**
 17. **Si la tondeuse se met à vibrer anormalement (vérifiez immédiatement)**
 - vérifiez l'absence de dommages,
 - remplacez ou réparez toute pièce endommagée,
 - s'il y a des pièces mal serrées, resserrez-les.
 18. **Lorsque vous prenez ou tenez l'appareil, ne le faites pas par les lames nues ou par les bords tranchants.**
 19. **Si la tondeuse est dotée d'une fonction de réglage de la hauteur de coupe, n'essayez jamais d'ajuster la hauteur de coupe pendant que la tondeuse tourne.**
 20. **Tondez les pentes dans le sens transversal, jamais en montant ou en descendant. Soyez particulièrement prudent lors des changements de direction sur les terrains en pente. Ne tondez pas sur des pentes excessivement raides.** Une position instable présente des risques de glissades et de chutes.

21. Évitez d'utiliser la tondeuse sur de l'herbe mouillée.
22. Arrêtez immédiatement votre outil dès que vous observez quelque chose d'inhabituel. Éteignez la tondeuse et retirez la clé de sécurité. Inspectez ensuite la tondeuse.
23. Ne vous placez pas devant l'ouverture de décharge pour faire démarrer la tondeuse.
24. Évitez d'utiliser la tondeuse sous de mauvaises conditions météo, et tout spécialement lorsqu'il y a risque de foudre.
25. Lorsque vous utilisez la machine sur un sol boueux, une pente mouillée ou un endroit glissant, faites attention à votre position.
26. Évitez de travailler dans un environnement médiocre qui risque fortement d'entraîner une fatigue accrue de l'utilisateur.
27. N'utilisez pas la machine par mauvais temps, la visibilité étant réduite. Autrement vous risquez de provoquer une chute ou une utilisation incorrecte en raison d'une mauvaise visibilité.
28. Ne submergez pas la machine dans une flaque d'eau.
29. Lorsque des feuilles mouillées ou des saletés adhèrent à la bouche d'aspiration (fenêtre de ventilation) à cause de la pluie, retirez-les.
30. N'utilisez pas la machine dans la neige.
31. Si l'herbe coupée est mouillée, l'intérieur de la machine risque d'être obstrué par celle-ci. Vérifiez régulièrement l'état de la machine et retirez l'herbe collée au boîtier si nécessaire.
32. Pendant l'utilisation de la machine, prenez garde aux tuyaux et câbles.
33. N'utilisez pas une source d'alimentation filaire comme un adaptateur de batterie ou un support d'alimentation portable avec cette machine. Le câble de la source d'alimentation peut affecter le fonctionnement et entraîner une blessure.
7. Vérifiez régulièrement les composants du collecteur d'herbe et la protection de décharge, et remplacez-les au besoin en utilisant les pièces recommandées par le fabricant.
8. Vérifiez à intervalles réguliers si le boulon de fixation de la lame est bien serré.
9. Assurez-vous que tous les écrous, boulons et vis sont bien serrés pour garantir un fonctionnement sécuritaire de l'équipement.
10. Ne retirez pas et ne modifiez pas les dispositifs de sécurité. Vérifiez régulièrement leur bon fonctionnement. N'entrez jamais le fonctionnement prévu des dispositifs de sécurité et ne limitez jamais la protection qu'ils offrent.
11. Lorsque vous réglez la tondeuse, évitez soigneusement de vous coincer les doigts entre les lames mobiles et les pièces fixes de la tondeuse.
12. Laissez toujours refroidir la tondeuse avant de la remiser.
13. Lors de l'entretien des lames, gardez à l'esprit qu'elles peuvent bouger même si la source d'alimentation est coupée.
14. Les étiquettes de sécurité et d'instructions doivent être entretenues ou remplacées si nécessaire.
15. N'abandonnez pas la machine à l'extérieur sous la pluie.
16. Ne lavez pas la machine avec de l'eau à haute pression.
17. Lorsque vous lavez la machine, assurez-vous de retirer la batterie et la clé de sécurité et fermez le couvercle de batterie, puis versez de l'eau vers le bas de la machine à laquelle la lame est fixée.
18. Lorsque vous rangez la machine, évitez la lumière directe du soleil et la pluie et rangez-la dans un endroit où elle ne soit pas trop chaude ou trop humide.
19. Effectuez l'inspection ou l'entretien dans un endroit à l'abri de la pluie.
20. Après avoir utilisé la machine, retirez la saleté collée et séchez complètement la machine avant de la ranger. Selon la saison ou la zone, il existe un risque de dysfonctionnement dû au gel.

Entretien et remisage

1. **Après l'utilisation, remisez la tondeuse à l'intérieur** - Lorsqu'elle n'est pas utilisée, la tondeuse doit être remise à l'intérieur dans un emplacement sec et verrouillé, hors d'atteinte des enfants.
2. **Entretenez la tondeuse avec soin** - Pour un rendement supérieur et un fonctionnement plus sécuritaire, gardez les tranchants aiguisés et propres. Suivez les instructions de lubrification et de changement des accessoires. Inspectez régulièrement le cordon de la tondeuse; s'il est endommagé, faites-le réparer dans un centre de service après-vente agréé. Maintenez les guidons secs, propres et exempts d'huile ou de graisse.
3. **Gardez la machine exempte d'herbes, de feuilles et autres accumulations de débris. Maintenez les protecteurs en place et en bon état de fonctionnement.**
4. **Gardez les lames affûtées.**
5. **Utilisez uniquement des lames de rechange identiques.**
6. **Vérifiez régulièrement l'usure ou la détérioration du collecteur d'herbe. Assurez-vous toujours que le collecteur d'herbe est vide avant le remisage.** Si le collecteur d'herbe est usé, faites-le remplacer en usine par un collecteur neuf pour plus de sécurité.

Utilisation et entretien de l'outil à batterie

1. **Prévenez le démarrage accidentel. Assurez-vous que l'interrupteur est en position d'arrêt avant de connecter la machine à la batterie, de la saisir ou de la transporter.** Transporter la machine avec le doigt sur l'interrupteur ou la mettre sous tension alors que son interrupteur est en position de marche ouvre la porte aux accidents.
2. **Retirez la batterie de la machine avant de procéder à des réglages, au remplacement d'accessoires ou au rangement de la machine.** De telles mesures de sécurité préventives réduisent le risque de démarrage accidentel de la machine.
3. **Ne la rechargez qu'avec le chargeur spécifié par le fabricant.** Un chargeur conçu pour un certain type de batterie risque de déclencher un incendie s'il est utilisé avec une autre batterie.
4. **N'utilisez les machines qu'avec leurs batteries spécifiques.** Les autres batteries risqueraient de vous blesser ou de provoquer un incendie.

5. Lorsque la batterie n'est pas utilisée, tenez-la à distance des objets métalliques tels que trombones, pièces de monnaie, clés, clous, vis ou autres petits objets métalliques, conducteurs potentiels entre une borne et une autre. Un court-circuit entre les bornes de la batterie peut provoquer des brûlures ou un incendie.
6. Dans des conditions d'utilisation inadéquates de la batterie, il peut y avoir fuite d'électrolyte; évitez tout contact. En cas de contact accidentel, rincez avec beaucoup d'eau. Si du liquide entre en contact avec les yeux, consultez un médecin. Le liquide qui gicle de la batterie peut provoquer des irritations ou des brûlures.
7. N'utilisez pas une batterie ou une machine endommagée ou modifiée. Les batteries endommagées ou modifiées peuvent se comporter de manière imprévisible et entraîner un incendie, une explosion ou un risque de blessure.
8. N'exposez pas une batterie ou une machine au feu ou à une température excessive. L'exposition au feu ou à une température supérieure à 130 °C (265 °F) peut provoquer une explosion.
9. Suivez toutes les instructions de charge et ne chargez pas la batterie ou la machine à l'extérieur de la plage de température spécifiée dans les instructions. Effectuer la charge de manière inadéquate ou à une température hors de la plage spécifiée peut endommager la batterie et faire augmenter le risque d'incendie.
10. L'entretien doit être confié à un réparateur qualifié et n'utilisant que des pièces de rechange identiques aux pièces d'origine. Cela assurera le maintien du produit dans un état sécuritaire.
11. Ne modifiez pas et n'essayez pas de réparer la machine ou la batterie autrement que tel qu'indiqué dans les instructions d'utilisation et d'entretien.
8. Manipulez les batteries soigneusement, pour ne pas les court-circuiter avec des matériaux conducteurs tels que les anneaux ou bagues, bracelets et clés. La batterie ou le conducteur risquerait de surchauffer et de causer des brûlures.
9. Ne remplacez pas la batterie sous la pluie.
10. Ne mouillez pas la borne de la batterie avec du liquide tel que de l'eau ni n'immergez la batterie. Ne laissez pas la batterie sous la pluie, ni ne la chargez, l'utilisez et la rangez dans un endroit humide ou mouillé. Si la borne est mouillée ou si du liquide pénètre à l'intérieur de la batterie, celle-ci peut être court-circuitée et il y a risque de surchauffe, d'incendie ou d'explosion.
11. Après avoir retiré la batterie de la machine ou du chargeur, veillez à fixer le couvercle de batterie à la batterie et rangez-la dans un endroit sec.
12. Ne remplacez pas la batterie avec les mains mouillées.

Service après-vente

1. Faites réparer votre outil électrique par un réparateur qualifié qui utilise uniquement des pièces de rechange identiques aux pièces d'origine. Le maintien de la sûreté de l'outil électrique sera ainsi assuré.
2. N'essayez jamais de réparer les batteries endommagées. La réparation des batteries ne doit être effectuée que par le fabricant ou par un fournisseur de service après-vente agréé.



CONSERVEZ CES INSTRUCTIONS.

⚠ MISE EN GARDE : L'utilisation de ce produit peut générer des poussières contenant des substances chimiques, lesquelles peuvent causer des problèmes respiratoires ou autres maladies. Parmi ces substances chimiques figurent les composés que l'on retrouve dans les pesticides, insecticides, fertilisants et herbicides.

Les risques liés à l'exposition varient suivant la fréquence d'exécution du type de travail en question. Pour réduire votre exposition à ces substances chimiques : travaillez dans un emplacement bien aéré et avec des dispositifs de sécurité approuvés, tels que les masques antipoussières spécialement conçus pour filtrer les particules microscopiques.

Symboles

Les symboles utilisés pour l'outil sont indiqués ci-dessous.

	volts
	courant continu
n_0	vitesse à vide
... /min r/min	tours ou alternances par minute

Consignes de sécurité concernant l'alimentation électrique et la batterie

1. Ne jetez pas la/les batterie(s) au feu. L'élément pourrait exploser. Vérifiez la réglementation de votre région pour savoir s'il existe des directives particulières sur l'élimination.
2. N'ouvrez pas et n'endommagez pas la/les batterie(s). L'électrolyte qui s'échappe est corrosif et peut provoquer des dommages aux yeux ou à la peau. Il peut être toxique s'il est ingéré.
3. Ne chargez pas la batterie sous la pluie ou dans les emplacements humides.
4. Ne chargez pas la batterie à l'extérieur.
5. Ne manipulez pas le chargeur, y compris sa fiche et ses bornes, avec les mains mouillées.
6. Ne rechargez pas la tondeuse sous la pluie ou dans un endroit mouillé.
7. Lors du remplacement des batteries, il convient de remplacer toutes les batteries en même temps. Mélanger des batteries fraîches et des batteries déchargées peut faire augmenter la pression interne de la cellule et causer la rupture de la batterie déchargée.

Consignes de sécurité importantes pour la batterie

1. Avant d'utiliser la batterie, lisez toutes les instructions et les mises en garde apposées sur (1) le chargeur de batterie, (2) la batterie et (3) le produit utilisant la batterie.
 2. Ne démontez pas la batterie.
 3. Cessez immédiatement l'utilisation si le temps de fonctionnement devient excessivement court. Il y a risque de surchauffe, de brûlures, voire d'explosion.
 4. Si l'électrolyte pénètre dans vos yeux, rincez-les à l'eau claire et consultez immédiatement un médecin. Il y a risque de perte de la vue.
 5. Ne court-circuitez pas la batterie :
 - (1) Ne touchez les bornes avec aucun matériau conducteur.
 - (2) Évitez de ranger la batterie dans un conteneur avec d'autres objets métalliques tels que clous, pièces de monnaie, etc.
 - (3) Évitez d'exposer la batterie à l'eau ou à la pluie.

Un court-circuit de la batterie pourrait provoquer un fort courant, une surchauffe, parfois des brûlures et même une panne.
 6. Ne rangez pas l'outil ou la batterie dans des emplacements où la température peut atteindre ou dépasser 50 °C (122 °F).
 7. Ne jetez pas la batterie au feu même si elle est sérieusement endommagée ou complètement épuisée. La batterie peut exploser au contact du feu.
 8. Prenez garde d'échapper ou de heurter la batterie.
 9. N'utilisez pas une batterie si elle est endommagée.
 10. Les batteries lithium-ion fournies sont soumises aux exigences de la législation sur les marchandises dangereuses.

Des exigences particulières sur l'emballage et l'étiquetage doivent être respectées lors du transport commercial par des tiers, des transitaires, etc. Pour préparer la marchandise à expédier, consultez un expert en matériaux dangereux si nécessaire. Respectez aussi les éventuelles réglementations nationales plus détaillées.

Recouvrez de ruban isolant les contacts exposés, et emballez la batterie de sorte qu'elle ne puisse pas se déplacer à l'intérieur de l'emballage.
11. Lors de l'élimination de la batterie, retirez-la de l'outil et éliminez-la dans un endroit sûr. Respectez la réglementation locale concernant l'élimination de la batterie.
12. N'utilisez les batteries qu'avec les produits spécifiés par Makita. Installer les batteries sur des produits non conformes peut entraîner un incendie, une chaleur excessive, une explosion ou une fuite d'électrolyte.

13. Si l'outil reste inutilisé pour une période prolongée, la batterie doit en être retirée.

CONSERVEZ CES INSTRUCTIONS.

⚠ ATTENTION : Utilisez exclusivement les batteries fabriquées par Makita. Les batteries autres que celles fabriquées par Makita ou les batteries modifiées peuvent exploser et causer un incendie, une blessure ou des dommages. Cela annule aussi la garantie Makita de l'outil et du chargeur Makita.

Conseils pour maintenir la durée de service maximale de la batterie

1. Rechargez la batterie avant qu'elle ne soit complètement déchargée. Arrêtez toujours l'outil et rechargez la batterie quand vous remarquez que la puissance de l'outil diminue.
2. Ne rechargez jamais une batterie complètement chargée. La surcharge réduit la durée de service de la batterie.
3. Chargez la batterie à une température ambiante comprise entre 10 °C et 40 °C (50 °F et 104 °F). Si la batterie est chaude, laissez-la refroidir avant de la charger.
4. Chargez la batterie si elle est restée inutilisée pendant une période prolongée (plus de six mois).

ASSEMBLAGE

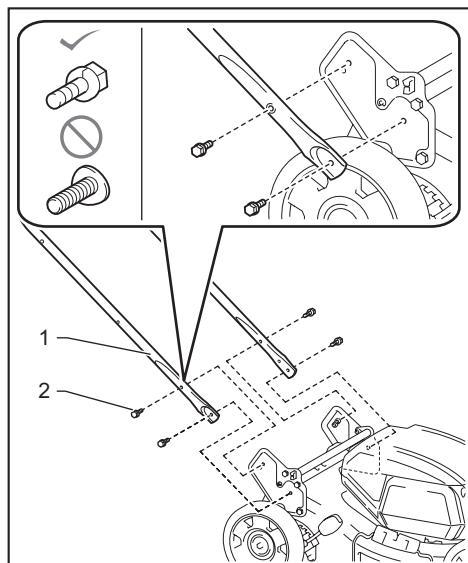
⚠ MISE EN GARDE : Assurez-vous toujours que la clé de sécurité et la batterie sont retirées avant d'effectuer toute opération sur la tondeuse. Si vous ne retirez pas la clé de sécurité et la batterie, vous risquez une grave blessure suite à un démarrage accidentel.

⚠ MISE EN GARDE : Ne démarrez jamais la tondeuse avant qu'elle ne soit complètement assemblée. L'utilisation de la machine partiellement assemblée peut causer de graves blessures en cas de démarrage accidentel.

Pose du guidon

AVIS : Lorsque vous installez les guidons, positionnez les cordons de sorte qu'ils ne soient pas pris entre les guidons. La tondeuse risque de ne pas fonctionner si le cordon est endommagé.

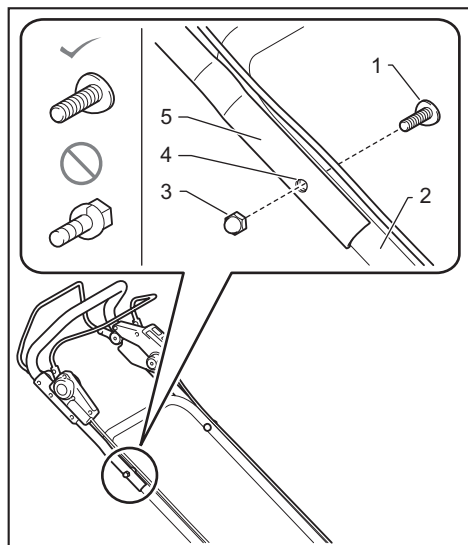
- Alignez les trous du guidon inférieur avec ceux du corps de la tondeuse, puis serrez temporairement les quatre boulons.



► 1. Guidon inférieur 2. Boulon

- À l'aide de la clé polygonale 13, serrez fermement les quatre boulons serrés temporairement à l'étape 1.

- Alignez le trou du guidon supérieur, insérez le boulon par l'intérieur, puis serrez l'écrou par l'extérieur à l'aide de la clé polygonale 13. Procédez de la même façon de l'autre côté.

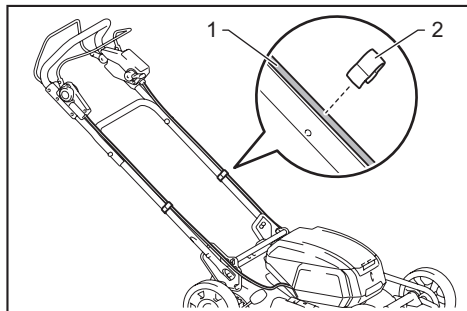


► 1. Boulon 2. Guidon inférieur 3. Écrou 4. Trou 5. Guidon supérieur

ATTENTION : Tenez le guidon supérieur fermement, pour ne pas l'échapper. Sinon, le guidon pourrait chuter et provoquer une blessure.

- Fixez les supports au guidon.

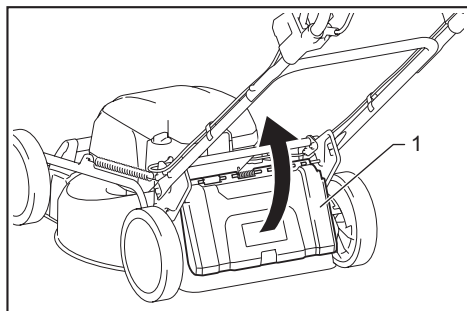
Alignez les parties saillantes du support avec les trous du guidon, de sorte que les parties saillantes s'insèrent dans les trous. Placez les cordons tel qu'illustré sur la figure.



► 1. Cordon 2. Support

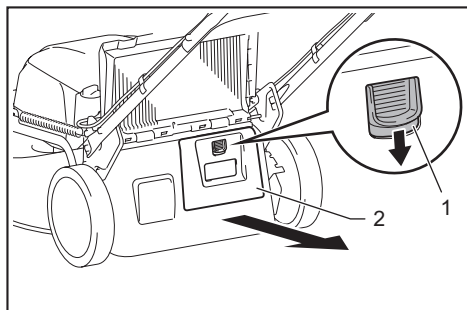
Retrait de la fiche de déchiquetage

- Ouvrez le couvercle arrière.



► 1. Couvercle arrière

- Retirez la fiche de déchiquetage tout en maintenant le levier abaissé.

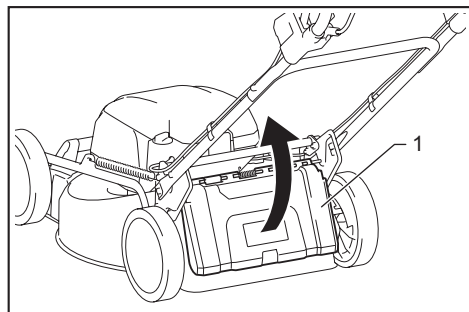


► 1. Levier 2. Fiche de déchiquetage

Pose ou retrait du collecteur d'herbe

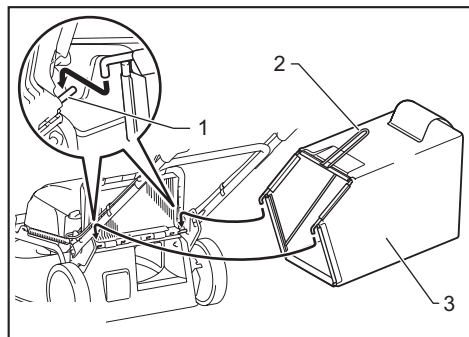
Pour installer le collecteur d'herbe, suivez les étapes ci-dessous.

1. Ouvrez le couvercle arrière.



- 1. Couvercle arrière

2. Saisissez la poignée du collecteur d'herbe, puis accrochez le collecteur d'herbe à la tige du corps de la tondeuse, tel qu'illustré sur la figure.

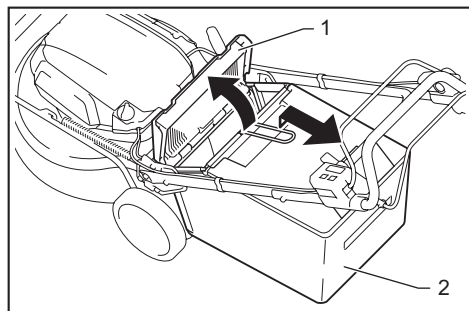


- 1. Tige 2. Poignée 3. Collecteur d'herbe

Pour retirer le collecteur d'herbe, ouvrez le couvercle arrière puis retirez le collecteur d'herbe en tenant la poignée.

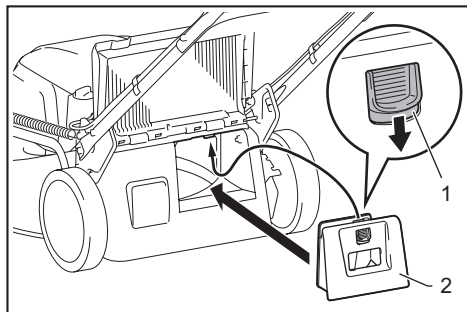
Fixation de la fiche de déchetage

1. Ouvrez le couvercle arrière, puis retirez le collecteur d'herbe.



- 1. Couvercle arrière 2. Collecteur d'herbe

2. Fixez la fiche de déchetage tout en maintenant le levier abaissé, puis relâchez le levier pour verrouiller la fiche de déchetage.

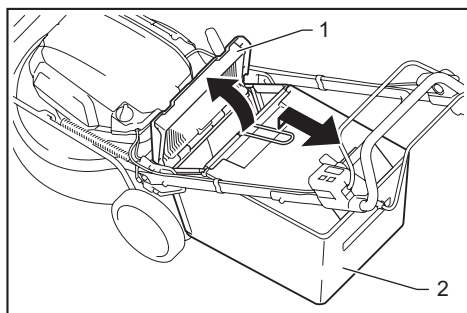


- 1. Levier 2. Fiche de déchetage

Fixation de l'accessoire de décharge

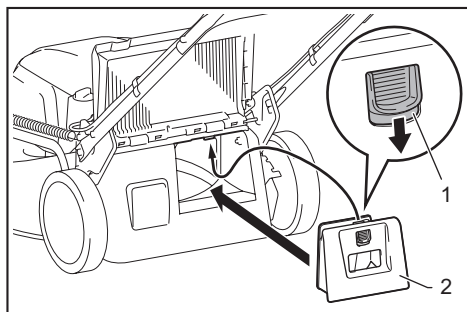
Pour DLM530/DLM532

1. Ouvrez le couvercle arrière, puis retirez le collecteur d'herbe.



- 1. Couvercle arrière 2. Collecteur d'herbe

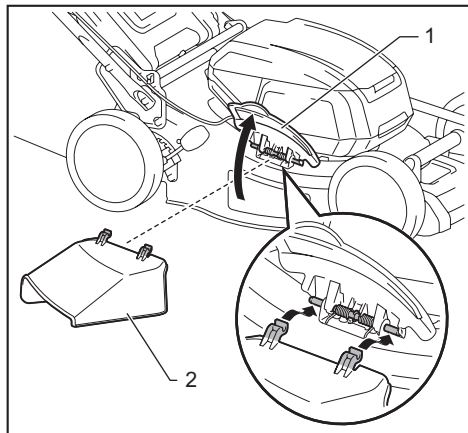
2. Fixez la fiche de déchetage tout en maintenant le levier abaissé, puis relâchez le levier pour verrouiller la fiche de déchetage.



- 1. Levier 2. Fiche de déchetage

3. Ouvrez le couvercle droit, puis fixez l'accessoire de décharge.

Insérez les crochets de l'accessoire de décharge sous la tige du couvercle droit.



► 1. Couvercle droit 2. Accessoire de décharge

DESCRIPTION DU FONCTIONNEMENT

Installation ou retrait de la batterie

⚠ ATTENTION : Éteignez toujours la machine avant d'installer ou de retirer la batterie.

⚠ ATTENTION : Tenez fermement la machine et la batterie lors de la pose ou du retrait de la batterie. La machine et la batterie peuvent vous glisser des mains si vous ne les tenez pas, ce qui risque d'endommager la machine et la batterie et de provoquer des blessures.

⚠ ATTENTION : Assurez-vous de verrouiller le couvercle de batterie avant l'utilisation. Autrement la boue, les saletés ou l'eau risqueraient d'endommager le produit ou la batterie.

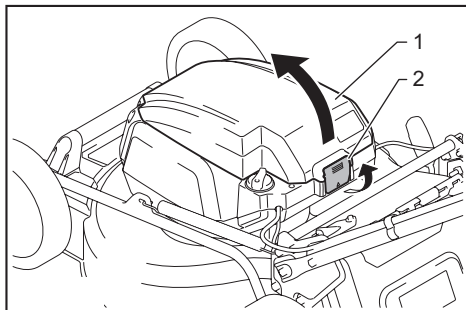
⚠ ATTENTION : Insérez toujours la batterie à fond, jusqu'à ce que le voyant rouge ne soit plus visible. Autrement elle risque de tomber accidentellement de la machine et d'entraîner des blessures.

⚠ ATTENTION : Ne forcez pas sur la batterie pour l'installer. Si la batterie ne glisse pas facilement, c'est qu'elle n'est pas insérée correctement.

NOTE : La machine ne fonctionne pas lorsqu'il n'y a qu'une seule batterie.

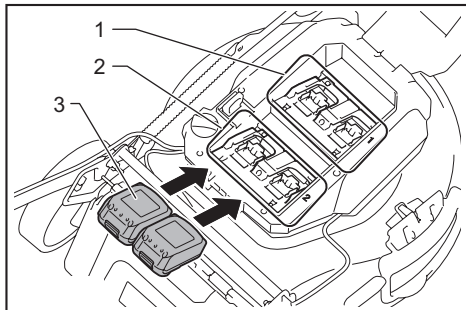
Pour installer la batterie :

1. Tirez le levier de verrouillage vers le haut, puis ouvrez le couvercle de batterie.



► 1. Couvercle de batterie 2. Levier de verrouillage

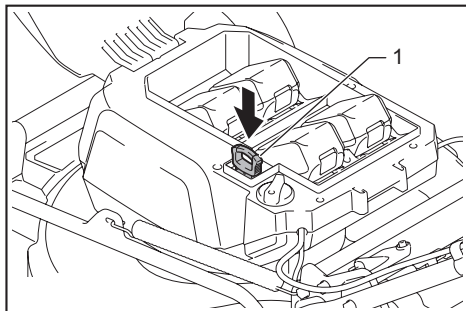
2. Alignez la languette de la batterie sur la fente de la machine, puis glissez la batterie jusqu'à ce qu'elle se verrouille avec un léger bruit sec.



► (1) Port de batterie 1 (2) Port de batterie 2 (3) Batterie

NOTE : Installez au moins deux batteries sur le port de batterie 1 ou le port de batterie 2.

3. Insérez la clé de sécurité à fond à l'emplacement indiqué sur la figure.



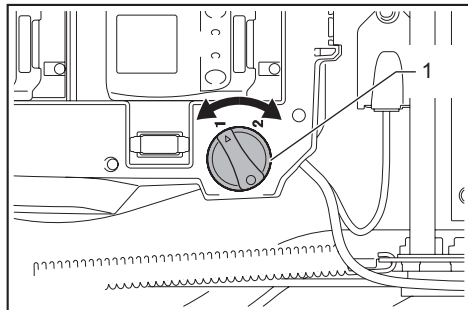
► 1. Clé de sécurité

4. Fermez le couvercle de batterie et appuyez dessus jusqu'à ce qu'il soit verrouillé par le levier de verrouillage.

Pour retirer la batterie :

1. Tirez le levier de verrouillage vers le haut et ouvrez le couvercle de batterie.
2. Retirez la batterie de la machine tout en faisant glisser le bouton à l'avant de la batterie.
3. Retirez la clé de sécurité.
4. Fermez le couvercle de batterie.

Permutation entre les batteries



► 1. Sélecteur de batterie

La machine utilise deux batteries à la fois pour son fonctionnement. Jusqu'à quatre batteries peuvent être installées sur la machine. Avant d'utiliser la machine, sélectionnez le port de batterie 1 ou le port de batterie 2 en tournant le sélecteur de batterie.

NOTE : Si seulement deux batteries sont installées sur la machine, veillez à sélectionner le port de batterie sur lequel elles sont installées, à l'aide du sélecteur de batterie.

Dispositif de protection de la machine et de la batterie

La machine est équipée d'un dispositif de protection de la machine et de la batterie. Ce dispositif coupe automatiquement l'alimentation du moteur pour prolonger la durée de service de la machine et de la batterie. La machine s'arrêtera automatiquement pendant l'utilisation si la machine ou la batterie se trouve dans l'une ou l'autre des situations suivantes :

Protection contre la surcharge

Lorsque la batterie est utilisée d'une façon qui lui fait consommer un courant anormalement élevé, la machine s'arrête automatiquement et le témoin d'alimentation secteur clignote en vert. Dans ce cas, éteignez la machine et arrêtez l'application qui entraîne une surcharge de la machine. Allumez ensuite la machine pour redémarrer.

Protection contre la surchauffe

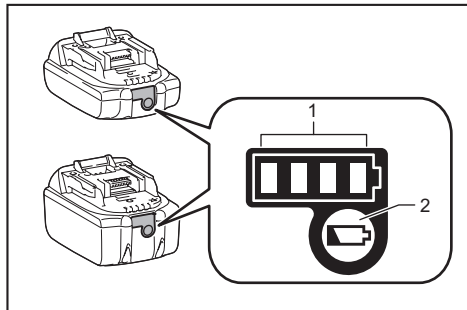
Lorsque la machine ou la batterie surchauffe, la machine s'arrête automatiquement et le témoin d'alimentation secteur s'allume en rouge. Le cas échéant, laissez refroidir la machine et la batterie avant de rallumer la machine.

Protection contre la décharge excessive

Lorsque la charge de la batterie est insuffisante, la machine s'arrête automatiquement et le témoin d'alimentation secteur clignote en rouge. Dans ce cas, retirez les batteries de la machine et chargez-les ou remplacez-les par des batteries complètement chargées.

Affichage de la charge restante de la batterie

Uniquement pour les batteries avec voyant



► 1. Témoins indicateurs 2. Bouton de vérification

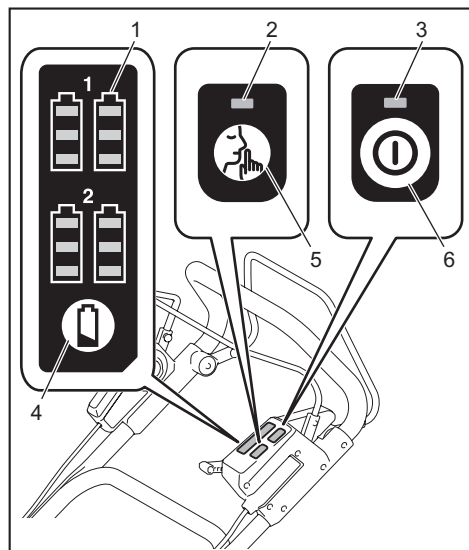
Appuyez sur le bouton de vérification de la batterie pour afficher la charge restante de la batterie. Les témoins indicateurs s'allument pendant quelques secondes.

Témoins indicateurs			Charge restante
Allumé	Éteint	Clignotant	
■	■	■	75 % à 100 %
■	■	□	50 % à 75 %
■	□	□	25 % à 50 %
■	□	□	0 % à 25 %
◐	□	□	Chargez la batterie.
■	■	□	La batterie a peut-être mal fonctionné.
□	□	■	

NOTE : Suivant les conditions d'utilisation et la température ambiante, il se peut que l'indication soit légèrement différente de la charge réelle.

Panneau de commande

Le panneau de commande comporte l'interrupteur d'alimentation principal, le bouton de commutation de mode et l'indicateur de la capacité restante de la batterie.



- 1. Voyant de batterie 2. Témoin de commutation de mode 3. Témoin d'alimentation secteur 4. Bouton de vérification 5. Bouton de commutation de mode 6. Interrupteur d'alimentation principale

Interrupteur d'alimentation principale

⚠ MISE EN GARDE : Mettez toujours l'interrupteur d'alimentation secteur en position d'arrêt lorsque vous n'utilisez pas l'outil.

Pour allumer la machine, appuyez sur l'interrupteur d'alimentation principale. Le témoin d'alimentation secteur s'allume en vert. Pour éteindre la machine, appuyez de nouveau sur l'interrupteur d'alimentation principale.

NOTE : Si le témoin d'alimentation secteur s'allume en rouge ou clignote en rouge ou en vert, reportez-vous aux instructions sur le dispositif de protection de la machine et de la batterie.

NOTE : Cette machine utilise une fonction de mise hors tension automatique. Pour éviter les démarrages accidentels, l'interrupteur d'alimentation principale coupera automatiquement l'alimentation si le levier d'interrupteur et le levier d'entraînement (le cas échéant) restent abaissés pendant un certain temps après avoir mis l'interrupteur d'alimentation principale en position de marche.

Bouton de commutation de mode

Vous pouvez changer le mode de fonctionnement en appuyant sur le bouton de commutation de mode. Lorsque la machine est allumée, la machine démarre en mode normal. Lorsque vous appuyez sur le bouton de commutation de mode, la machine passe en mode de réduction du bruit et le témoin de commutation de mode s'allume en vert. Le mode de réduction du bruit permet de réduire le bruit pendant la tonte. Lorsque vous appuyez de nouveau sur le bouton de commutation de mode, la machine revient en mode normal.

Indication de la charge restante de la batterie

Appuyez sur le bouton de vérification pour afficher la charge restante des batteries. Les voyants de batterie correspondent à chacune des batteries.

État du voyant de batterie		Charge restante de la batterie
Allumé	Éteint	
		50 % - 100 %
		20 % - 50 %
		0 % - 20 %

NOTE : Les lampes témoin de la capacité restante de la batterie ne servent qu'à titre indicatif. La capacité réelle de la batterie peut varier en fonction des conditions d'utilisation.

NOTE : Avant d'appuyer sur le bouton de vérification pour afficher la charge restante des batteries, arrêtez la machine.

Interrupteur

⚠ MISE EN GARDE : Avant d'installer la batterie, vérifiez toujours si le levier d'interrupteur fonctionne correctement et revient en position originale lorsque relâché. Utiliser la machine avec un interrupteur qui ne fonctionne pas correctement peut entraîner une perte de contrôle et causer une grave blessure.

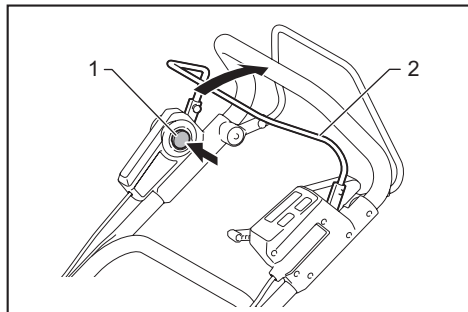
NOTE : Même si vous tirez sur le levier d'interrupteur, la tondeuse ne démarrera pas si vous n'appuyez pas sur le bouton d'interrupteur.

NOTE : Il se peut que la tondeuse ne démarre pas, en raison de la surcharge, si vous essayez de tondre une herbe trop longue ou trop dense en une seule passe. Dans ce cas, augmentez la hauteur de tonte.

Cette tondeuse est équipée d'une clé de sécurité et d'un interrupteur de guidon. Si vous remarquez quelque chose d'inhabituel avec la clé de sécurité ou l'interrupteur, cessez immédiatement l'utilisation et faites-les vérifier au centre de service après-vente Makita agréé le plus près.

Pour DLM462/DLM532

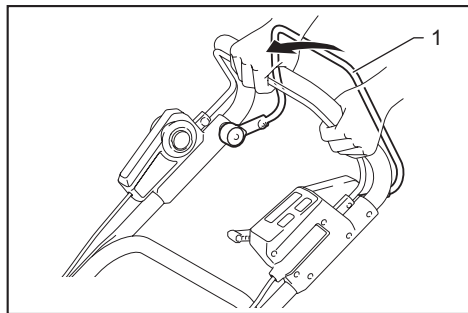
1. Installez les batteries. Insérez la clé de sécurité, puis fermez le couvercle de batterie.
2. Sélectionnez les batteries à utiliser en tournant le sélecteur de batterie.
3. Appuyez sur l'interrupteur d'alimentation principal.
4. Tirez le levier d'interrupteur vers vous tout en maintenant le bouton d'interrupteur enfoncé. Relâchez le bouton d'interrupteur dès que le moteur se met en marche.



► 1. Bouton d'interrupteur 2. Levier d'interrupteur

NOTE : Si la clé de sécurité n'est pas insérée, le témoin d'alimentation clignote en vert lorsque vous appuyez sur le levier d'interrupteur.

5. Tout en tenant le levier d'interrupteur, poussez le levier d'entraînement vers l'avant et maintenez-le dans cette position pour faire tourner les roues arrière.



► 1. Levier d'entraînement

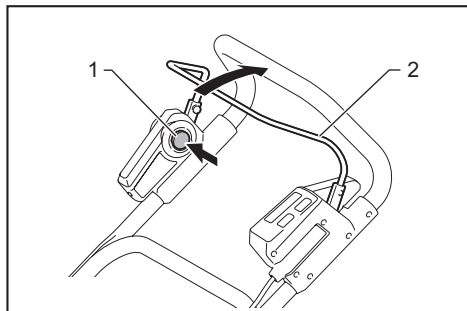
NOTE : Vous pouvez faire tourner les roues arrière en poussant le levier d'entraînement vers l'avant et en l'y maintenant sans tirer sur le levier d'interrupteur.

6. Libérez le levier d'entraînement et le levier d'interrupteur pour arrêter la machine.

Pour DLM530

1. Installez les batteries. Insérez la clé de sécurité, puis fermez le couvercle de batterie.
2. Sélectionnez les batteries à utiliser en tournant le sélecteur de batterie.
3. Appuyez sur l'interrupteur d'alimentation principal.

4. Tirez le levier d'interrupteur vers vous tout en maintenant le bouton d'interrupteur enfoncé. Relâchez le bouton d'interrupteur dès que le moteur se met en marche.



► 1. Bouton d'interrupteur 2. Levier d'interrupteur

NOTE : Si la clé de sécurité n'est pas insérée, le témoin d'alimentation clignote en vert lorsque vous appuyez sur le levier d'interrupteur.

5. Relâchez le levier d'interrupteur pour arrêter le moteur.

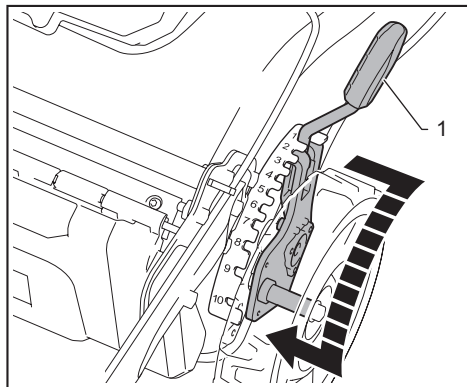
Réglage de la hauteur de tonte

⚠ MISE EN GARDE : Ne mettez jamais une main ou une jambe sous le corps de la tondeuse pendant que vous réglez la hauteur de tonte.

⚠ MISE EN GARDE : Veillez toujours à ce que le levier soit bien dans la rainure avant d'effectuer l'opération.

La hauteur de tonte est réglable sur une plage de 20 mm (13/16") à 100 mm (3-15/16").

Retirez la clé de sécurité, puis tirez le levier de réglage de la hauteur de tonte vers l'extérieur du corps de la tondeuse et déplacez-le à la hauteur de tonte désirée.

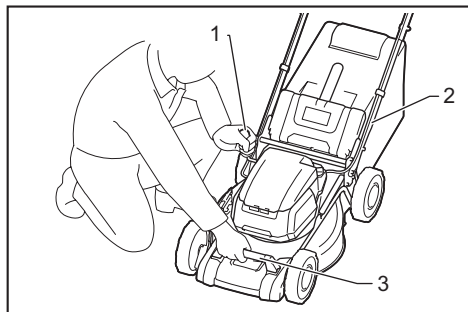


► 1. Levier de réglage de la hauteur de tonte

Le tableau ci-dessous montre la relation entre le numéro inscrit sur le corps de la tondeuse et la hauteur de tonte approximative.

Numéro	Hauteur de tonte
1	20 mm (13/16")
2	26 mm (1")
3	32 mm (1-1/4")
4	39 mm (1-9/16")
5	47 mm (1-7/8")
6	55 mm (2-3/16")
7	63 mm (2-1/2")
8	74 mm (2-15/16")
9	86 mm (3-3/8")
10	100 mm (3-15/16")

Tenez la poignée avant ou le guidon inférieur d'une main, puis, avec l'autre main, déplacez le levier de réglage de la hauteur de tonte.



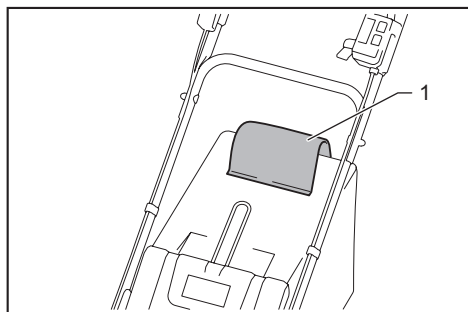
- 1. Levier de réglage de la hauteur de tonte
2. Guidon inférieur 3. Poignée avant

NOTE : Les chiffres de la hauteur de tonte ne sont là qu'à titre indicatif. Suivant l'état du gazon ou du sol, la hauteur de coupe obtenue peut être légèrement différente de la hauteur réglée.

NOTE : Testez la tonte de l'herbe dans un endroit moins visible pour obtenir la hauteur désirée.

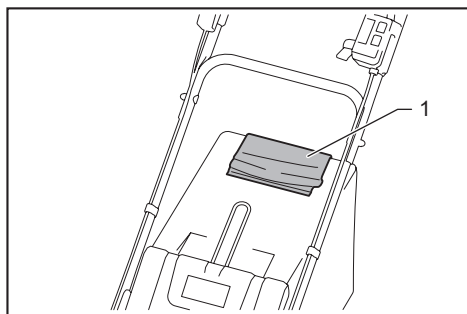
Indicateur de niveau d'herbe

L'indicateur de niveau d'herbe indique le volume d'herbe tondu. Lorsque le collecteur d'herbe n'est pas plein, le voyant flotte pendant que les lames tournent.



- 1. Indicateur de niveau d'herbe

Lorsque le collecteur d'herbe est presque plein, le voyant ne flotte pas pendant que les lames tournent. Le cas échéant, cessez immédiatement l'utilisation et videz le collecteur.



- 1. Indicateur de niveau d'herbe

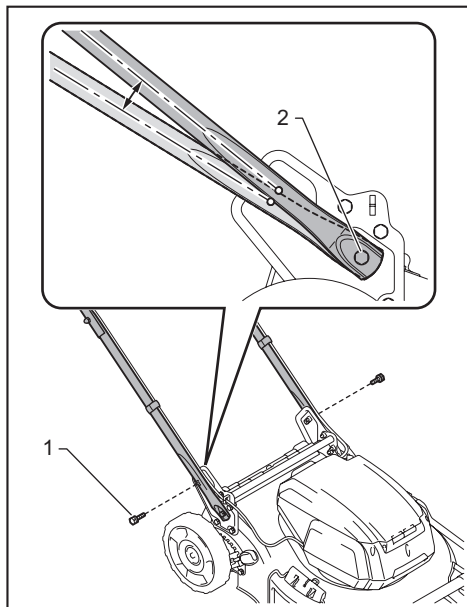
NOTE : Cet indicateur est approximatif. Suivant le contenu du collecteur, cet indicateur peut ne pas fonctionner correctement.

Réglage de la hauteur du guidon

ATTENTION : Avant de retirer les boulons, tenez fermement le guidon supérieur. Sinon, le guidon pourrait chuter et provoquer une blessure.

La hauteur du guidon est réglable sur deux niveaux.

1. Retirez les boulons supérieurs du guidon inférieur à l'aide de la clé polygonale 13, puis desserrez les boulons inférieurs.

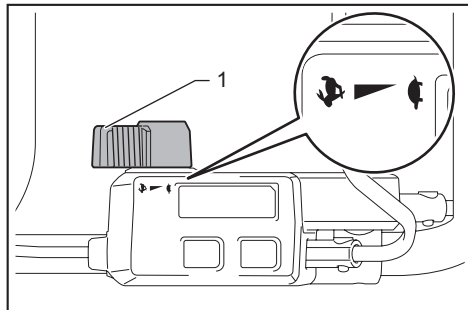


- 1. Boulon supérieur 2. Boulon inférieur

2. Réglez la hauteur du guidon, puis serrez fermement les boulons supérieurs et inférieurs.

Réglage de la vitesse de déplacement

Pour DLM462/DLM532



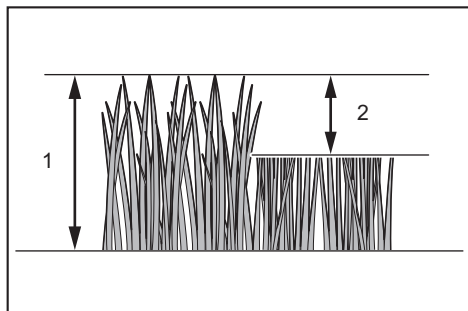
► 1. Levier de vitesse

La vitesse de déplacement peut être réglée avec le levier de vitesse. Pour réduire la vitesse, tirez le levier vers vous; pour l'augmenter, tournez le levier vers l'avant.

Utilisation de la fiche de déchiquetage

La fiche de déchiquetage vous permet de retourner l'herbe coupée au sol sans la ramasser dans le collecteur d'herbe. Lorsque vous utilisez la machine avec la fiche de déchiquetage, veillez à retirer le collecteur d'herbe.

AVIS : Lorsque vous utilisez la machine avec la fiche de déchiquetage, veillez à ce que la longueur totale de l'herbe soit de 30 mm (1-3/16") ou plus, ou la longueur de coupe de 15 mm (9/16") ou moins.



► (1) 30 mm (1-3/16") ou plus (2) 15 mm (9/16") ou moins

Utilisation de l'accessoire de décharge

Pour DLM530/DLM532

L'accessoire de décharge permet de décharger l'herbe coupée sur le sol par le côté droit de la machine sans l'accumuler dans le collecteur d'herbe. Lorsque vous utilisez la machine avec l'accessoire de décharge, veillez à installer la fiche de déchiquetage et à retirer le collecteur d'herbe.

Fonctions électroniques

La machine est dotée de fonctions électroniques qui facilitent son utilisation.

- Commande de vitesse constante de rotation de la lame
Commande électronique de la vitesse afin d'obtenir une vitesse constante. Permet d'obtenir une finition précise puisque la vitesse de rotation est maintenue constante même dans des conditions de lourde charge.
- Démarrage en douceur de l'entraînement
La fonction de démarrage en douceur atténue le choc de démarrage et fait démarrer la machine doucement.
- Frein électrique
Cette machine est équipée d'un frein électrique. Si la libération du levier d'interrupteur ne permet pas systématiquement à la machine d'arrêter promptement les lames de tondeuse, faites-la réparer dans un centre de service après-vente agréé Makita.

UTILISATION

Tonte

⚠ MISE EN GARDE : Avant de tondre, enlevez de la zone de tonte toutes les branches et pierres. De plus, enlevez à l'avance les mauvaises herbes de la zone de tonte.

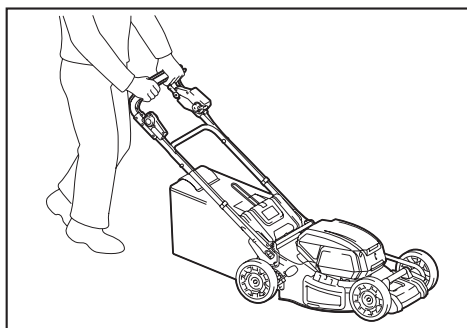
⚠ MISE EN GARDE : Portez toujours des lunettes à coques ou des lunettes de sécurité à écrans latéraux lorsque vous utilisez la tondeuse.

⚠ ATTENTION : Si l'herbe coupée ou un objet étranger se bloque à l'intérieur du corps de la tondeuse, veillez à retirer la clé de sécurité et la batterie et à porter des gants avant de retirer l'herbe ou un objet étranger.

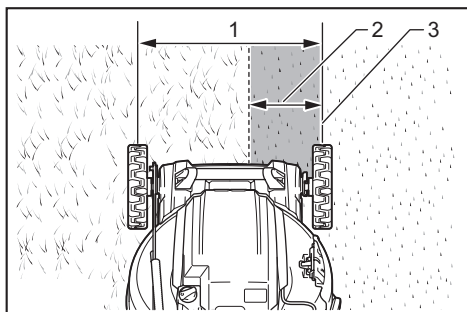
AVIS : Utilisez cette machine pour tondre le gazon uniquement. Ne tondez pas les mauvaises herbes avec cette machine.



Tenez fermement le guidon à deux mains lorsque vous tondez. La consigne de vitesse de tonte est d'environ 7 à 14 mètres (23 - 46 pi) par 10 secondes.

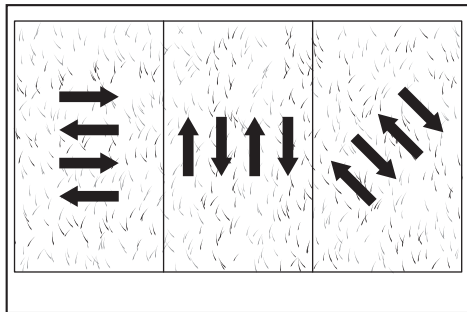


Les lignes centrales des roues avant sont des lignes directrices pour la largeur de tonte. En utilisant les lignes centrales comme lignes directrices, tondez en bandes. Chevauchez de moitié à un tiers de la bande précédente pour tondre le gazon uniformément.



- 1. Largeur de tonte 2. Zone de chevauchement
- 3. Ligne centrale

Changez la direction de tonte chaque fois pour éviter que le motif de grain d'herbe ne se forme dans une seule direction.

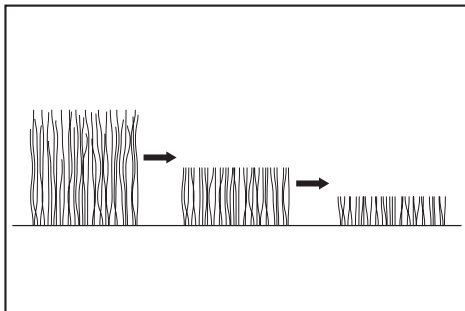


Vérifiez régulièrement l'accumulation d'herbe tonde dans le collecteur d'herbe. Videz le collecteur d'herbe avant qu'il ne soit plein. Avant chaque vérification périodique, vous devez arrêter la tondeuse puis retirer la clé de sécurité et la batterie.

AVIS : Si vous tondez avec le collecteur d'herbe rempli, cela empêchera la lame de tourner de manière fluide et surchargera le moteur, ce qui pourrait causer une panne.

Tonte d'une pelouse avec herbes hautes

N'essayez pas de couper les herbes longues en une seule passe. Tondez plutôt la pelouse en plusieurs passes. Laissez passer un jour ou deux entre les tontes, jusqu'à ce que le gazon soit uniformément court.

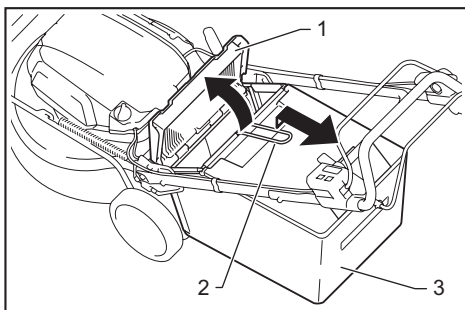


NOTE : Si vous tondez d'un seul coup les hautes herbes à une longueur courte, l'herbe risque de mourir. L'herbe coupée peut aussi boucher l'intérieur du corps de la tondeuse.

Vidage du collecteur d'herbe

⚠ MISE EN GARDE : Pour réduire les risques d'accident, assurez-vous régulièrement que le collecteur d'herbe n'est pas endommagé et affaibli. Si nécessaire, remplacez le collecteur d'herbe.

1. Libérez le levier d'interrupteur et le levier d'entraînement (pour DLM462/DLM532), ou libérez le levier d'interrupteur (pour DLM530).
2. Retirez la clé de sécurité.
3. Ouvrez le couvercle arrière et retirez le collecteur d'herbe en tenant la poignée.



- 1. Couvercle arrière 2. Guidon 3. Collecteur d'herbe
4. Videz le collecteur d'herbe.

ENTRETIEN

⚠ MISE EN GARDE : Veillez toujours à ce que la clé de sécurité et la batterie soient retirées de la tondeuse avant de la remiser ou de la transporter ou d'effectuer l'inspection ou l'entretien.

⚠ MISE EN GARDE : Retirez toujours la clé de sécurité lorsque la tondeuse n'est pas utilisée. Mettez la clé de sécurité dans un endroit sûr, hors d'atteinte des enfants.

⚠ MISE EN GARDE : Portez des gants lorsque vous effectuez l'inspection ou l'entretien.

⚠ MISE EN GARDE : Portez toujours des lunettes de protection ou des lunettes de sécurité à écrans latéraux lors de l'inspection ou de l'entretien.

AVIS : N'utilisez jamais d'essence, de benzine, de solvant, d'alcool ou autres produits similaires. Une décoloration, une déformation ou la formation de fissures peuvent en découler.

Pour maintenir la SÉCURITÉ et la FIABILITÉ du produit, les réparations et tout autre travail d'entretien ou de réglage doivent être effectués dans un centre de service après-vente autorisé ou une usine Makita, exclusivement avec des pièces de rechange Makita.

Entretien

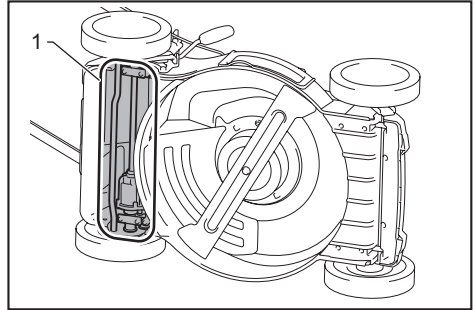
1. Retirez la clé de sécurité et les batteries, puis fermez le couvercle de batterie.
2. Basculez la tondeuse sur le côté, de sorte que le levier de réglage de la hauteur de tonte se trouve sur le dessus. Enlevez les brins d'herbe accumulés sur la face inférieure du châssis de la tondeuse.
3. Versez de l'eau vers le bas de la machine à laquelle la lame est fixée.

AVIS : Ne lavez pas la machine avec de l'eau à haute pression.

4. Vérifiez si tous les écrous, boulons, vis, etc., sont bien serrés.
5. Vérifiez les pièces mobiles pour tout dommage, casse et usure. Les pièces endommagées ou manquantes doivent être réparées ou remplacées.
6. Remisez la tondeuse dans un endroit sûr, hors de la portée des enfants.

Pour DLM462/DLM532

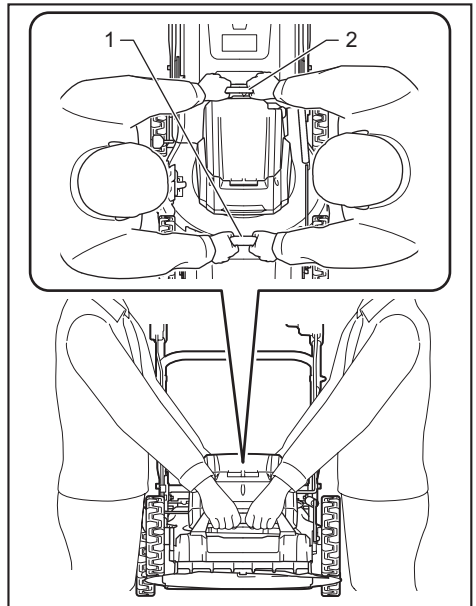
AVIS : Ne versez pas d'eau dans la zone indiquée sur la figure. Verser de l'eau sur le bloc-moteur peut entraîner un dysfonctionnement de la machine.



► 1. Zone où de l'eau ne doit pas être versée

Transport de la tondeuse

Lors du transport de la tondeuse, la poignée avant et la poignée arrière doivent être saisies par deux personnes, comme indiqué sur la figure.



► 1. Poignée avant 2. Poignée arrière

Remisage

Remisez la tondeuse à l'intérieur dans un endroit froid, sec et verrouillé. Ne remisez pas la tondeuse et le chargeur dans des emplacements où la température peut atteindre ou dépasser 40 °C (104 °F).

Retrait ou pose de la lame de tondeuse

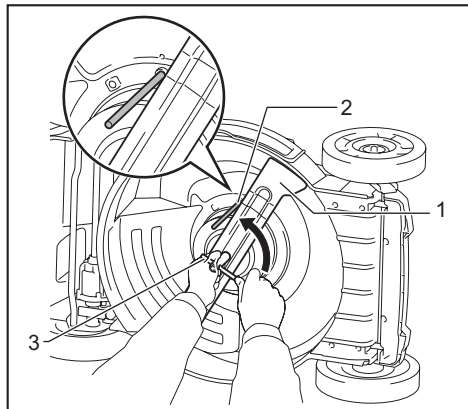
⚠ MISE EN GARDE : La lame continue de tourner pendant quelques secondes après la libération de l'interrupteur. Ne commencer aucune opération avant l'arrêt parfait de la lame.

⚠ MISE EN GARDE : Enlevez toujours la clé de sécurité et la batterie lorsque vous retirez ou installez la lame. Vous risquez une grave blessure si vous ne retirez pas la clé de sécurité et la batterie.

⚠ MISE EN GARDE : Portez toujours des gants lorsque vous manipulez la lame.

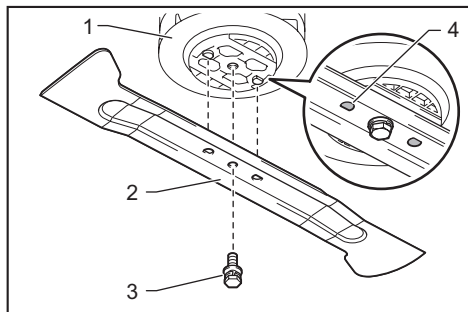
Retrait de la lame de tondeuse

1. Basculez la tondeuse sur le côté, de sorte que le levier de réglage de la hauteur de tonte se trouve sur le dessus.
2. Pour verrouiller la lame, insérez la broche dans le trou du corps de la tondeuse.
3. Tournez le boulon dans le sens contraire des aiguilles d'une montre à l'aide de la clé polygonale 17.



- 1. Clé polygonale 2. Broche 3. Boulon

4. Retirez le boulon, puis la lame de tondeuse.



- 1. Support de lame 2. Lame de tondeuse 3. Boulon
4. Partie saillante

AVIS : En installant la lame de tondeuse, assurez-vous que les parties saillantes du support de lame s'insèrent dans les trous de la lame de tondeuse.

Pose de la lame de tondeuse

⚠ MISE EN GARDE : Installez la lame de tondeuse soigneusement. Elle a une face supérieure et une face inférieure.

⚠ MISE EN GARDE : Serrez fermement le boulon dans le sens des aiguilles d'une montre pour fixer la lame.

⚠ MISE EN GARDE : Assurez-vous que la lame de tondeuse et toutes les pièces de fixation sont bien installées et serrées fermement.

⚠ MISE EN GARDE : Lorsque vous remplacez les lames, suivez toujours les instructions de ce manuel.

AVIS : Après avoir installé les lames de tondeuse, retirez la broche du corps de la tondeuse.

Pour installer les lames de tondeuse, suivez la procédure de retrait en sens inverse.

DÉPANNAGE

Avant de faire une demande de réparation, faites d'abord votre propre inspection. Si vous rencontrez un problème non indiqué dans ce manuel, n'essayez pas de démonter la machine. Demandez plutôt à un centre de service après-vente Makita agréé de faire la réparation avec des pièces de rechange Makita.

État anormal	Cause probable (dysfonctionnement)	Solution
La tondeuse ne démarre pas.	Les deux batteries ne sont pas installées.	Installez deux batteries chargées.
	Problème de batterie (sous-tension)	Rechargez la batterie. Si la recharge est sans effet, remplacez la batterie.
	La clé de sécurité n'est pas insérée.	Insérez la clé de sécurité.
	Le sélecteur de batterie n'est pas à la bonne position.	Sélectionnez le port de batterie sur lequel les batteries sont installées, à l'aide du sélecteur de batterie.
Le moteur s'arrête peu après le début de l'utilisation.	La batterie est faible.	Rechargez la batterie. Si la recharge est sans effet, remplacez la batterie.
	La hauteur de tonte est trop basse.	Augmentez la hauteur de coupe.
	L'herbe coupée est coincée dans la tondeuse.	Retirez l'herbe coincée de la tondeuse.
Le moteur ne tourne pas à plein régime.	La batterie n'est pas bien installée.	Installez la batterie en suivant les instructions de ce manuel.
	La puissance de la batterie diminue.	Rechargez la batterie. Si la recharge est sans effet, remplacez la batterie.
	Le dispositif d'entraînement ne fonctionne pas bien.	Demandez à votre centre de service après-vente agréé de faire la réparation.
La lame de tondeuse ne tourne pas : ⇒ arrêtez immédiatement la tondeuse !	Un corps étranger tel qu'une branche est coincé près de la lame.	Retirez le corps étranger.
	Le dispositif d'entraînement ne fonctionne pas bien.	Demandez à votre centre de service après-vente agréé de faire la réparation.
Vibrations anormales : ⇒ arrêtez immédiatement la tondeuse !	La lame est déséquilibrée, trop usée ou usée de manière inégale.	Remplacez la lame.

ACCESSOIRES EN OPTION

⚠ ATTENTION : Ces accessoires ou pièces complémentaires sont recommandés pour l'utilisation avec la machine Makita spécifiée dans ce manuel. L'utilisation de tout autre accessoire ou pièce complémentaire peut comporter un risque de blessure. N'utilisez les accessoires ou pièces complémentaires qu'aux fins auxquelles ils ont été conçus.

Si vous désirez obtenir plus de détails sur ces accessoires, veuillez contacter le centre de service après-vente Makita le plus près.

- Lame de tondeuse
- Chargeur et batterie authentiques Makita

NOTE : Certains éléments de la liste peuvent être inclus dans l'emballage du produit comme accessoires standard. Ils peuvent varier d'un pays à l'autre.

GARANTIE LIMITÉE MAKITA

Pour les conditions de garantie en vigueur qui s'appliquent à ce produit, veuillez vous reporter à la feuille de garantie en annexe. Si la feuille de garantie en annexe n'est pas disponible, reportez-vous aux détails de la garantie présentés sur le site Web de votre pays, ci-dessous.

États-Unis d'Amérique: www.makitatools.com

Canada: www.makita.ca

Autres pays: www.makita.com

ESPECIFICACIONES

Modelo:	DLM462	DLM530	DLM532
Amplitud de corte del césped (diámetro de la cuchilla)	460 mm (18-1/8")	534 mm (21")	
Velocidad sin carga	2 500 r/min	2 300 r/min	
Velocidad máxima	3 300 r/min	2 800 r/min	
Número de pieza de la cuchilla de repuesto de la cortadora de césped	191D51-9	191D52-7	
Dimensiones (La x An x Al)	Largo: 1 610 mm a 1 690 mm (63-1/2" a 66-1/2") Ancho: 535 mm (21") Alto: 980 mm a 1 095 mm (38-1/2" a 43")	Largo: 1 630 mm a 1 715 mm (64" a 67-1/2") Ancho: 590 mm (23-1/4") Alto: 990 mm a 1 095 mm (39" a 43")	
Velocidad de recorrido	2,5 km/h - 5,0 km/h (1,6 mile/h - 3,1 mile/h)	-	2,5 km/h - 5,0 km/h (1,6 mile/h - 3,1 mile/h)
Tensión nominal	36 V c.c.		
Peso neto	36 - 39 kg (79 - 86 lbs)	36 - 40 kg (79 - 88 lbs)	40 - 43 kg (88 - 95 lbs)
Grado de protección	IPX4		

- Debido a nuestro continuo programa de investigación y desarrollo, las especificaciones aquí incluidas están sujetas a cambio sin previo aviso.
- Las especificaciones pueden variar de país a país.
- El peso puede variar en función de los accesorios, incluido el cartucho de batería. En la tabla se muestra la combinación de peso más ligero y más pesado conforme al procedimiento 01/2014 de EPTA.

Cartucho de batería y cargador aplicables

Cartucho de batería	BL1815N / BL1820B / BL1830 / BL1830B / BL1840B / BL1850B / BL1860B
Cargador	DC18RC / DC18RD / DC18RE / DC18SD / DC18SE / DC18SF

- Algunos de los cartuchos de batería y cargadores enumerados arriba podrían no estar disponibles dependiendo de su área de residencia.

⚠️ ADVERTENCIA: Use únicamente los cartuchos de batería y los cargadores indicados arriba. El uso de cualquier otro cartucho de batería y cargador podría ocasionar una lesión y/o un incendio.

ADVERTENCIAS DE SEGURIDAD

INSTRUCCIONES IMPORTANTES DE SEGURIDAD

⚠️ ADVERTENCIA: Al utilizar cortadoras de césped eléctricas, siempre deben tomarse en cuenta las precauciones básicas de seguridad a fin de reducir el riesgo de incendio, descarga eléctrica y lesiones personales, incluyendo lo siguiente.

Lea todas las instrucciones

Lea, comprenda y siga todas las instrucciones en la cortadora de césped y en los manuales de instrucciones. Familiarícese detalladamente con los controles y el uso apropiado de la cortadora de césped antes de empezar.

⚠️ ADVERTENCIA!

Capacitación

- Esta cortadora de césped es capaz de amputar las manos y los pies, así como de lanzar objetos. El no seguir las instrucciones de seguridad indicadas a continuación podría ocasionar lesiones graves o la muerte.
- Solamente permita que los adultos responsables que estén familiarizados con las instrucciones operen la cortadora de césped.

Preparación

- Mantenga a los niños alejados** - Todos los visitantes deberán ser mantenidos a una distancia segura del área de trabajo. Esté alerta y apague la cortadora de césped si algún niño ingresa al área. Tenga especial cuidado al aproximarse a esquinas poco visibles, arbustos, árboles u otros objetos que le impidan divisar a algún niño.
- Use vestimenta adecuada** - No use prendas sueltas ni joyas. Éstas podrían engancharse en las piezas móviles. Cuando se trabaje en exteriores es recomendable usar guantes de hule y un calzado resistente. No opere la cortadora de césped estando descalzo o con sandalias abiertas.

3. **Use gafas de seguridad** - Siempre utilice careta o máscara contra polvo si la operación es polvorienta.
4. **Los objetos que sean golpeados por la cuchilla de la cortadora de césped pueden causar lesiones personales graves. El césped debe ser examinado cuidadosamente y despejado de cualquier objeto antes de proceder a cortarlo. Manténgase detrás del mango cuando el motor esté funcionando.**
5. **Asegúrese de que no haya otras personas en el área de trabajo antes de cortar el césped. Detenga la cortadora de césped en caso de que alguna persona ingrese al área.**
6. **No inserte la llave de cierre en la cortadora de césped hasta que esté lista para usarse.**
7. **Esté alerta de hoyos, surcos, protuberancias, piedras u otros objetos ocultos.** Las superficies no niveladas pueden ocasionar resbalones y caídas accidentales. El césped alto puede ocultar algunos obstáculos.
8. **Revise cuidadosamente que las cuchillas o los pernos de las cuchillas no tengan grietas o daños antes de la operación. Reemplace inmediatamente las cuchillas o los pernos de las cuchillas que presenten grietas o daños.**
9. **No inserte ni retire la llave de cierre bajo la lluvia.**

Operación

1. **Evite los entornos peligrosos** - Nunca use la cortadora de césped en lugares húmedos o mojados. Asegúrese siempre de pisar sobre suelo firme: mantenga una sujeción firme del mango y camine; nunca corra.
2. **No usar bajo la lluvia.**
3. **Use el aparato indicado** - No utilice la cortadora de césped para cualquier trabajo excepto para el que fue diseñada.
4. **No fuerce la cortadora de césped** - Ésta hará el trabajo mejor y de forma más segura a la velocidad para la que fue diseñada.
5. **No utilice el aparato donde no alcance** - Mantenga los pies sobre suelo firme y el equilibrio en todo momento. No pise cerca de declives, zanjas o diques. Podría perder su equilibrio o su estabilidad al pisar.
6. **Manténgase alerta** - Preste atención a lo que está haciendo. Use el sentido común. No utilice la cortadora de césped cuando esté cansado. No opere la máquina cuando esté bajo la influencia de alcohol o drogas. Un momento de distracción mientras opera la cortadora de césped puede ocasionar lesiones personales graves.
7. **Quite la batería de la cortadora de césped** - Quite la batería si no la está usando, y antes de dar mantenimiento, limpiarla, retirar material acumulado en la cortadora de césped o reemplazar accesorios tales como las cuchillas de la cortadora de césped y similares.
8. **Mantenga las manos y los pies alejados del área de corte. Manténgase alejado de la abertura de descarga en todo momento.**
9. **Si la cortadora de césped llega a golpear algún objeto extraño, siga los pasos a continuación:**
 - Pare la cortadora de césped. Suelte el interruptor. Espere hasta que la cuchilla se detenga por completo.
 - Retire la llave de cierre y el cartucho de batería.
 - Inspeccione la cortadora de césped para ver si hay algún daño.
 - Repare cualquier daño antes de reiniciar y usar la cortadora de césped. Reemplace la cuchilla si presenta algún tipo de daño.
10. **Nunca dirija el material de desecho hacia ninguna persona. Evite descargar el material de desecho contra alguna pared u obstrucción.** El material puede rebotar y dirigirse al operador. Detenga la cuchilla al atravesar superficies con grava.
11. **No jale la cortadora de césped hacia atrás a menos que sea absolutamente necesario.** Cuando sienta que debe hacer retroceder la cortadora de césped para alejarla de alguna valla u obstrucción similar, mire hacia abajo y detrás de usted antes de desplazarse hacia atrás.
12. **Libere la palanca interruptora y espere a que la rotación de la cuchilla se detenga antes de cruzar avenidas, caminos, calles y cualquier área cubierta con grava.** También retire la llave de cierre en caso de dejar la máquina, levantar o quitar algo del camino, o por alguna otra razón que pueda distraerlo de lo que está haciendo.
13. **No opere la máquina sin que el recolector de césped, protector de descarga, protector trasero o cualquier otro dispositivo de seguridad estén en su lugar y funcionando.**
14. **Pare el motor y retire la llave de cierre siempre que deje el equipo, antes de limpiar la cortadora de césped o despejar alguna obstrucción en la tolva y efectuar alguna reparación o inspección.**
15. **Apague el motor y espere a que la cuchilla se haya detenido por completo antes de quitar el recolector de césped.** Tenga en cuenta que las cuchillas siguen girando por inercia después de apagar la herramienta.
16. **Corte el césped solamente a la luz del día o en buenas condiciones de iluminación artificial.**
17. **Si la cortadora de césped empieza a vibrar de manera anormal (revisela de inmediato)** - inspeccione para ver que no haya algún daño, - reemplace o repare cualquier pieza dañada, - revise y apriete cualquier pieza suelta.
18. **No sujete las cuchillas ni los bordes de corte expuestos al levantar o sostener el aparato.**
19. **Nunca intente hacer ajustes en la altura de corte mientras la cortadora de césped esté funcionando, si ésta cuenta con la característica de ajuste en la altura de corte.**
20. **Corte el césped transversalmente a través de las pendientes, nunca hacia arriba ni hacia abajo. Aplique extrema precaución al cambiar la dirección en las pendientes. Evite cortar el césped en pendientes excesivamente inclinadas.** El no pisar sobre suelo firme puede ocasionar resbalones y caídas accidentales.

21. Evite usar la cortadora de césped en pasto húmedo.
22. Pare la operación inmediatamente si nota algo anormal. Apague la cortadora de césped y retire la llave de cierre. Luego revise la cortadora de césped.
23. No ponga en marcha la cortadora de césped cuando esté enfrente de la abertura de descarga.
24. Evite usar la cortadora de césped en condiciones de mal clima, especialmente cuando exista riesgo de rayos.
25. Cuando utilice la máquina sobre suelo embarrado, inclinaciones mojadas o superficies resbalosas, tenga cuidado al pisar.
26. Evite trabajar en un entorno deficiente donde sea probable que aumente la fatiga del usuario.
27. No utilice la máquina cuando las condiciones climáticas no sean buenas y la visibilidad sea limitada. En caso contrario se podrían ocasionar caídas u operaciones incorrectas debido a la baja visibilidad.
28. No sumerja la máquina en los charcos.
29. Cuando debido a la lluvia se adhieran hojas mojadas o tierra a la abertura de succión (ventana de ventilación), retirelas.
30. No utilice la máquina en la nieve.
31. Si el pasto cortado está húmedo, probablemente se atascará en el interior de la máquina. Verifique el estado de la máquina regularmente, y retire el pasto adherido según sea necesario.
32. Cuando opere la máquina, preste atención a las tuberías y al cableado.
33. No use ningún alimentador con cableado eléctrico como un adaptador para batería o una unidad portátil de alimentación eléctrica con esta máquina. El cable de dicho alimentador podría impedir la operación y ocasionar una lesión personal.
6. Revise el canasto para césped con frecuencia para ver si presenta desgaste o deterioro. Al almacenar el equipo, asegúrese siempre de vaciar el canasto para césped. Por seguridad, reemplace un canasto para césped desgastado con un repuesto nuevo de fábrica.
7. Verifique con frecuencia los componentes del canasto para césped y el protector de descarga y reemplace con las piezas de repuesto recomendadas por el fabricante en caso necesario.
8. Revise el perno de instalación de la cuchilla a intervalos frecuentes para asegurar una fijación apropiada.
9. Mantenga apretadas todas las tuercas, pernos y tornillos para asegurar que el equipo se encuentre en condiciones seguras de operación.
10. Nunca quite ni altere los dispositivos de seguridad. Verifique con regularidad que funcionen correctamente. Nunca haga nada que interfiera con la función para la que un dispositivo de seguridad fue diseñado, ni reduzca la protección ofrecida por algún dispositivo de seguridad.
11. Tenga cuidado al realizar algún ajuste de la cortadora de césped para evitar que los dedos queden atrapados entre las cuchillas móviles y las piezas fijas de la cortadora de césped.
12. Siempre deje que la cortadora de césped se enfríe antes de almacenarla.
13. Cuando vaya a dar servicio a las cuchillas, tenga en cuenta que aunque la fuente de alimentación haya sido desconectada, las cuchillas podrán seguir moviéndose.
14. Mantenga en su lugar o vuelva a colocar las etiquetas de seguridad y de instrucciones según se requiera.
15. No deje la máquina desatendida a la intemperie bajo la lluvia.
16. No lave la máquina con agua a alta presión.
17. Al lavar la máquina, asegúrese de retirar la batería y la llave de cierre y de cerrar la cubierta de la batería, y vierta agua sobre la parte inferior de la máquina a la que está acoplada la cuchilla.

Mantenimiento y almacenamiento

1. **Almacene la cortadora de césped en interiores cuando no esté en uso** - Cuando no se esté utilizando, la cortadora de césped deberá almacenarse en interiores en un lugar seco, bajo llave y fuera del alcance de los niños.
 2. **Dé un debido mantenimiento a la cortadora de césped** - Mantenga los bordes de corte afilados y limpios para un mejor desempeño y mayor seguridad. Siga las instrucciones para la lubricación y cambio de accesorios. Inspeccione la cortadora de césped periódicamente y en caso de presentar daños, solicite su reparación a un centro de servicio autorizado. Mantenga los mangos secos, limpios y libres de aceite y grasa.
 3. **Mantenga la máquina libre de la acumulación de césped, hojas y otros residuos. Mantenga los protectores en su sitio y en buen estado de funcionamiento.**
 4. **Mantenga las cuchillas afiladas.**
 5. **Use solamente cuchillas de repuesto idénticas.**
 18. **Almacene la máquina lejos de la lluvia y la luz directa del sol y en un sitio donde no haga calor ni haya humedad.**
 19. **Realice las inspecciones y labores de mantenimiento en un sitio protegido de la lluvia.**
 20. **Después de utilizar la máquina, quite la suciedad adherida y séquela completamente antes de guardarla.** Dependiendo de la estación o de la zona, existe el riesgo de un mal funcionamiento por congelación.
- Uso y cuidado de la herramienta a batería**
1. **Evite una puesta en marcha accidental.** Asegúrese de que el interruptor esté en la posición apagada antes de conectar el paquete de baterías, levantar la herramienta o cargarla. Cargar la herramienta con su dedo en el interruptor o pasar energía a la herramienta con el interruptor encendido puede propiciar accidentes.

2. **Desconecte el paquete de baterías de la herramienta antes de hacer cualquier ajuste, cambiar accesorios o almacenar la herramienta.** Estas medidas de seguridad preventivas reducen el riesgo de poner en marcha la herramienta accidentalmente.
 3. **Recargue sólo con el cargador especificado por el fabricante.** Un cargador que sea adecuado para un tipo específico de paquete de batería puede generar un riesgo de incendio al usarse con un paquete de batería distinto.
 4. **Use las herramientas únicamente con los paquetes de baterías designados específicamente para ellas.** El uso de otros paquetes de baterías puede generar riesgo de lesiones e incendio.
 5. **Cuando no se esté usando el paquete de batería, manténgalo alejado de otros objetos metálicos, como sujetapapeles (clips), monedas, llaves, clavos, tornillos u otros objetos pequeños de metal que puedan crear una conexión entre una terminal y otra.** Causar un cortocircuito en las terminales de la batería puede provocar quemaduras o incendio.
 6. **En condiciones de mal uso, podría escapar líquido de la batería; evite el contacto. Si toca el líquido accidentalmente, enjuague con agua. Si hay contacto del líquido con los ojos, solicite atención médica.** El líquido expulsado de la batería puede causar irritación o quemaduras.
 7. **No utilice un paquete de baterías o una herramienta que esté dañado/dañada o haya sido modificado/modificada.** Las baterías dañadas o modificadas podrían comportarse de manera impredecible causando un incendio, explosión o riesgo de lesión.
 8. **No exponga un paquete de baterías o una herramienta al fuego o a una temperatura excesiva.** La exposición al fuego a una temperatura superior a 130 °C (265 °F) podría causar una explosión.
 9. **Siga todas las instrucciones relativas a la carga y no cargue el paquete de baterías o la herramienta fuera del rango de temperatura especificado en las instrucciones.** Cargar de manera inapropiada o a temperaturas fuera del rango especificado podría dañar la batería e incrementar el riesgo de incendio.
 10. **Pida que el servicio lo realice un técnico en reparaciones calificado y que utilice únicamente piezas de repuesto idénticas a las originales.** Esto garantizará que se mantenga la seguridad del producto.
 11. **No modifique ni intente reparar la herramienta ni el paquete de baterías salvo como se indique en las instrucciones para el uso y cuidado.**
3. **No cargue la batería bajo la lluvia ni en lugares mojados.**
 4. **No cargue la batería en exteriores.**
 5. **No manipule el cargador, incluida la clavija del cargador, ni los terminales con las manos mojadas.**
 6. **No cargue la cortadora de césped bajo la lluvia ni en lugares húmedos.**
 7. **Al cambiar baterías, todas las baterías deberán ser cambiadas al mismo tiempo.** Mezclar baterías nuevas con descargadas podría aumentar la presión interna en las celdas y romper la batería descargada.
 8. **Tenga cuidado al manipular las baterías a fin de evitar un cortocircuito en la batería con materiales conductores tales como anillos, pulseras y llaves.** La batería o conductor podrían sobrecalentarse y causar quemaduras.
 9. **No reemplace la batería bajo la lluvia.**
 10. **No moje el terminal de la batería con líquidos, como el agua, ni sumerja la batería en ellos. No deje la batería bajo la lluvia, ni cargue, utilice, o guarde la batería en un lugar húmedo o mojado.** Si el terminal se moja o entra líquido dentro de la batería, la batería puede sufrir un cortocircuito, con el consiguiente riesgo de sobrecalentamiento, incendio o explosión.
 11. **Después de retirar la batería de la máquina o el cargador, asegúrese de acoplar la cubierta de la batería a la batería y de guardarla en un lugar seco.**
 12. **No reemplace la batería con las manos mojadas.**

Servicio

1. **El servicio de su herramienta eléctrica deberá ser realizado por un técnico calificado usando solamente piezas de repuesto idénticas.** Esto garantizará que se mantenga la seguridad de su herramienta eléctrica.
2. **Nunca dé servicio a paquetes de baterías que estén dañados.** El servicio a los paquetes de baterías solamente deberá ser efectuado por el fabricante o agentes de servicio autorizados.

GUARDE ESTAS INSTRUCCIONES.

⚠️ ADVERTENCIA: El uso de este producto puede producir polvo que contenga sustancias químicas que podrían causar enfermedades respiratorias o de otro tipo. Algunos ejemplos de estas sustancias químicas son los compuestos encontrados en pesticidas, insecticidas, fertilizantes y herbicidas.


El riesgo al que se expone varía, dependiendo de la frecuencia con la que realice este tipo de trabajo. Para reducir la exposición a estas sustancias químicas: trabaje en un área bien ventilada y use un equipo de seguridad aprobado, tal como las máscaras contra polvo que están especialmente diseñadas para filtrar partículas microscópicas.

Seguridad eléctrica y de la batería

1. **No arroje la(s) batería(s) al fuego.** La celda podría explotar. Consulte los códigos locales para ver si hay instrucciones especiales relativas al desecho.
2. **No abra ni dañe la(s) batería(s).** Los electrolitos liberados son corrosivos y pueden ocasionar daños en los ojos o la piel. Pueden ser tóxicos si se llegan a tragar.

Símbolos

A continuación se muestran los símbolos utilizados para la herramienta.

V	volts o voltios
	corriente directa o continua
n_0	velocidad sin carga
... /min r /min	revoluciones o alternaciones por minuto, frecuencia de rotación

Instrucciones importantes de seguridad para el cartucho de batería

1. Antes de utilizar el cartucho de batería, lea todas las instrucciones e indicaciones de precaución en el (1) el cargador de batería, (2) la batería, y (3) el producto con el que se utiliza la batería.
2. No desarme el cartucho de batería.
3. Si el tiempo de operación se ha acortado en exceso, deje de operar de inmediato. Podría correrse el riesgo de sobrecalentamiento, posibles quemaduras e incluso explosión.
4. En caso de que ingresen electrolitos en sus ojos, enjuáguelos bien con agua limpia y consulte de inmediato a un médico. Esto podría ocasionar pérdida de visión.
5. Evite cortocircuitar el cartucho de batería:
 - (1) No toque las terminales con ningún material conductor.
 - (2) Evite guardar el cartucho de batería en un cajón junto con otros objetos metálicos, tales como clavos, monedas, etc.
 - (3) No exponga el cartucho de batería al agua o la lluvia.

Un cortocircuito en la batería puede causar un flujo grande de corriente, sobrecalentamiento, posibles quemaduras e incluso una descompostura.
6. No guarde la herramienta ni el cartucho de batería en lugares donde la temperatura pueda alcanzar o exceder los 50°C (122°F).
7. Nunca incinere el cartucho de batería incluso en el caso de que esté dañado seriamente o ya no sirva en absoluto. El cartucho de batería puede explotar si se tira al fuego.
8. Tenga cuidado de no dejar caer ni golpear la batería.
9. No use una batería dañada.
10. Las baterías de ión de litio están sujetas a los requisitos reglamentarios en materia de bienes peligrosos. Para el transporte comercial, por ej., mediante terceros o agentes de transporte, se deben tomar en cuenta los requisitos especiales relativos al empaque y el etiquetado. Para efectuar los preparativos del artículo que se va a enviar, se requiere consultar a un experto en materiales peligrosos. Si es posible, consulte además otras regulaciones nacionales más detalladas.

Pegue o cubra con cinta adhesiva los contactos abiertos y empaque la batería de manera que ésta no pueda moverse dentro del paquete.

11. Para deshacerse del cartucho de batería, sáquelo de la herramienta y deséchelo en un lugar seguro. Siga las regulaciones locales relacionadas al desecho de las baterías.
12. Utilice las baterías únicamente con los productos especificados por Makita. Instalar las baterías en productos que no cumplan con los requisitos podría ocasionar un incendio, un calentamiento excesivo, una explosión o una fuga de electrolito.
13. Si no se utiliza la herramienta por un periodo largo, debe extraerse la batería de la herramienta.

GUARDE ESTAS INSTRUCCIONES.

PRECAUCIÓN: Utilice únicamente baterías originales de Makita. El uso de baterías no originales de Makita, o de baterías alteradas, puede ocasionar que las baterías exploten causando un incendio, lesiones personales y daños. Asimismo, esto invalidará la garantía de Makita para la herramienta y el cargador Makita.

Consejos para alargar al máximo la vida útil de la batería

1. Cargue el cartucho de batería antes de que se descargue completamente. Pare siempre la operación y cargue el cartucho de batería cuando note menos potencia en la herramienta.
2. No cargue nunca un cartucho de batería que esté completamente cargado. La sobrecarga acortará la vida de servicio de la batería.
3. Cargue el cartucho de batería a una temperatura ambiente de 10 °C - 40 °C (50 °F - 104 °F). Si un cartucho de batería está caliente, déjelo enfriar antes de cargarlo.
4. Cargue el cartucho de batería si no va a utilizarlo durante un periodo prolongado (más de seis meses).

MONTAJE

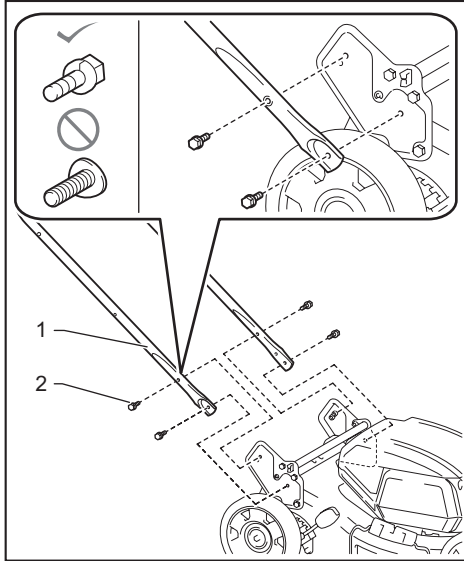
ADVERTENCIA: Asegúrese siempre de que la llave de cierre y el cartucho de batería se hayan extraído antes de realizar cualquier trabajo en la cortadora de césped. El no extraer la llave de cierre y el cartucho de batería puede ocasionar lesiones personales graves debido a un encendido accidental.

ADVERTENCIA: Nunca ponga en marcha la cortadora de césped a menos que se encuentre completamente ensamblada. La operación de la máquina parcialmente ensamblada puede ocasionar lesiones personales graves debido a un encendido accidental.

Instalación del mango

AVISO: Cuando instale los mangos, posicione los cables de tal manera que no queden enganchados con nada entre los mangos. Si un cable está dañado, el interruptor de la cortadora de césped podría no funcionar.

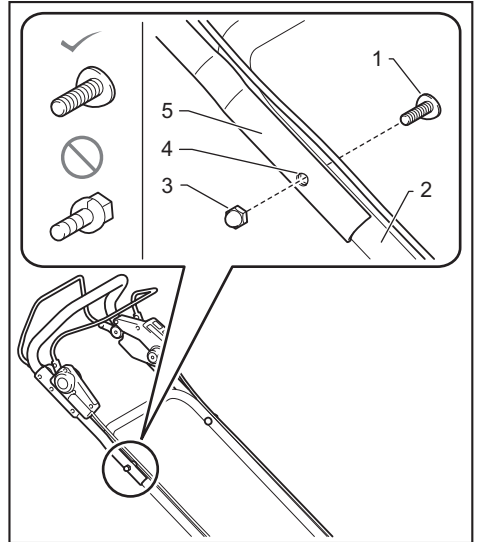
1. Alinee los orificios del mango inferior con los orificios en el cuerpo de la cortadora de césped, luego apriete los 4 pernos provisionalmente.



- 1. Mango inferior 2. Perno

2. Apriete firmemente los 4 pernos que se apretaron provisionalmente en el paso 1 con la llave de bujías 13.

3. Alinee el orificio del mango inferior con el orificio del mango superior, a continuación inserte el perno por el interior, luego apriete la tuerca por el exterior con la llave de bujías 13. Repita el mismo procedimiento en el otro lado.

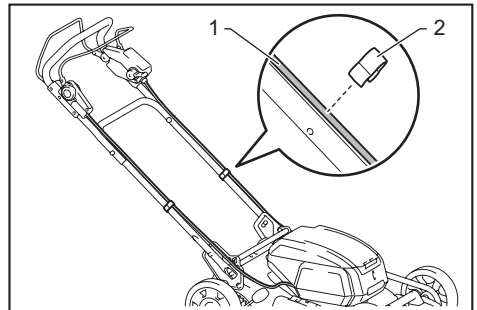


- 1. Perno 2. Mango inferior 3. Tuerca 4. Orificio 5. Mango superior

PRECAUCIÓN: Sujete firmemente el mango superior de tal forma que no se desprenda de su mano. De lo contrario, el mango podría caerse y causar una lesión.

4. Fije los soportes al mango.

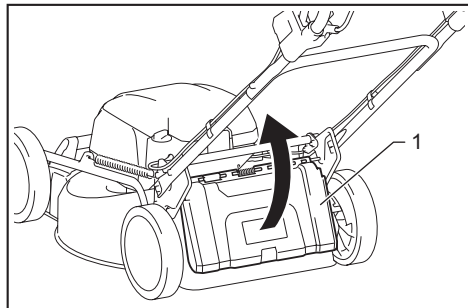
Alinee las protuberancias sobre el sujetador con los orificios del mango, para que las protuberancias quepan en los orificios. Coloque los cables tal como se muestra en la figura.



- 1. Cable 2. Sujetador

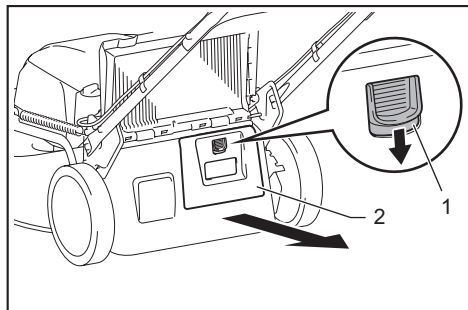
Extracción del tapón para mantillo

1. Abra la cubierta posterior.



- 1. Cubierta posterior

2. Retire el tapón para mantillo mientras sostiene hacia abajo la palanca.

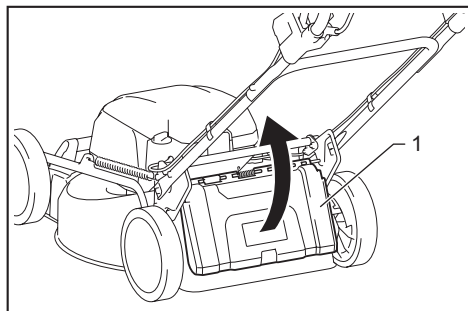


- 1. Palanca 2. Tapón para mantillo

Instalación o remoción del canasto para césped

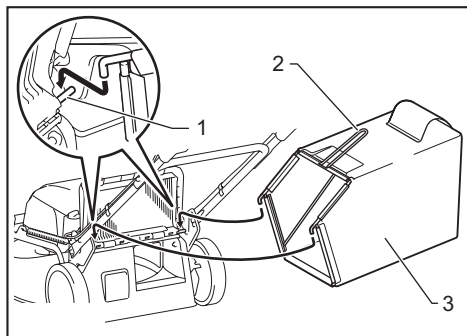
Para instalar el canasto para césped, siga los pasos a continuación.

1. Abra la cubierta posterior.



- 1. Cubierta posterior

2. Sostenga el mango del canasto para césped y luego enganche el canasto para césped en la barra del cuerpo de la cortadora de césped tal como se muestra en la figura.

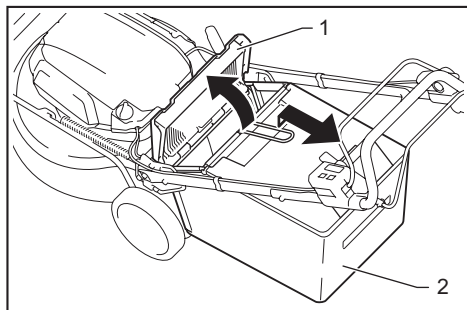


- 1. Barra 2. Mango 3. Canasto para césped

Para retirar el canasto para césped, abra la cubierta posterior y retire el canasto para césped tomándolo del mango.

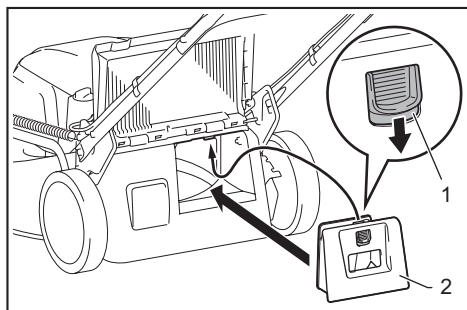
Acoplamiento del tapón para mantillo

1. Abra la cubierta posterior y luego retire el canasto para césped.



- 1. Cubierta posterior 2. Canasto para césped

2. Acople el tapón para mantillo mientras presiona la palanca hacia abajo, y luego suelte la palanca para bloquear el tapón para mantillo.

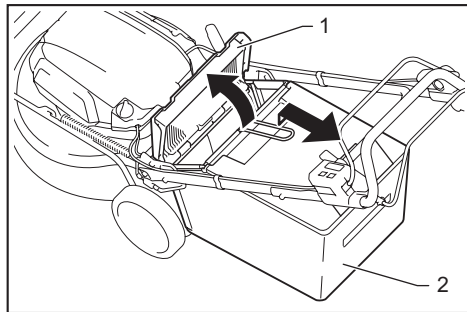


- 1. Palanca 2. Tapón para mantillo

Acoplamiento del aditamento de descarga

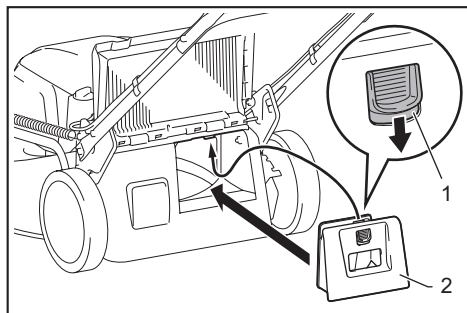
Para los modelos DLM530/DLM532

1. Abra la cubierta posterior y luego retire el canasto para césped.



► 1. Cubierta posterior 2. Canasto para césped

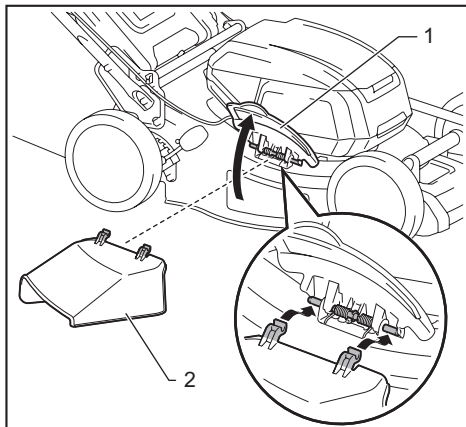
2. Acople el tapón para mantillo mientras presiona la palanca hacia abajo, y luego suelte la palanca para bloquear el tapón para mantillo.



► 1. Palanca 2. Tapón para mantillo

3. Abra la cubierta del lado derecho y luego acople el aditamento de descarga.

Inserte los ganchos del aditamento de descarga bajo la barra de la cubierta del lado derecho.



► 1. Cubierta del lado derecho 2. Aditamento de descarga

DESCRIPCIÓN DEL FUNCIONAMIENTO

Instalación o extracción del cartucho de batería

⚠PRECAUCIÓN: Apague siempre la máquina antes de instalar o extraer el cartucho de batería.

⚠PRECAUCIÓN: Sujete la máquina y el cartucho de batería con firmeza al colocar o quitar el cartucho de batería. Si no se sujeta con firmeza la máquina y el cartucho de batería, puede ocasionar que se resbalen de sus manos resultando en daños a la máquina y al cartucho de batería, así como lesiones a la persona.

⚠PRECAUCIÓN: Asegúrese de haber asegurado la cubierta de la batería antes de utilizar el equipo. De lo contrario, el lodo, la tierra o el agua pueden causar daños al producto o al cartucho de batería.

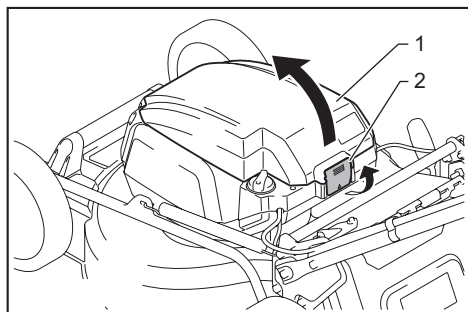
⚠PRECAUCIÓN: Siempre introduzca completamente el cartucho de batería hasta que el indicador rojo no pueda verse. Si no es así, éste podría caerse de la máquina ocasionándole una lesión a usted o a alguien más a su alrededor.

⚠PRECAUCIÓN: No instale el cartucho de batería a la fuerza. Si el cartucho no se desliza hacia adentro fácilmente, esto se debe a que no ha sido insertado correctamente.

NOTA: La máquina no funciona con solo un cartucho de batería.

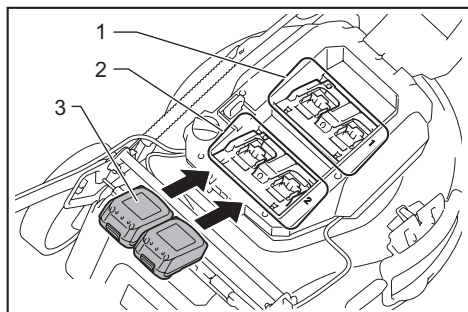
Para instalar el cartucho de batería;

1. Jale hacia arriba la palanca de bloqueo y luego abra la cubierta de la batería.



► 1. Cubierta de la batería 2. Palanca de bloqueo

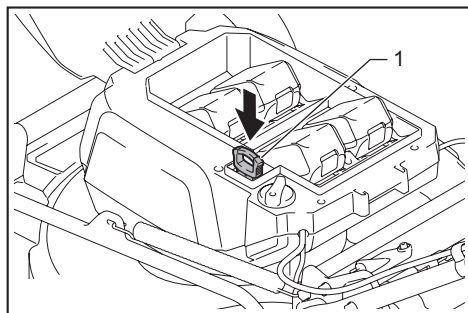
2. Alinee la lengüeta sobre el cartucho de batería con la ranura en la máquina y luego deslice el cartucho hasta que quede asegurado en su lugar y se escuche un clic.



► (1) Puerto para batería 1 (2) Puerto para batería 2 (3) Cartucho de batería

NOTA: Instale al menos dos cartuchos de batería en el puerto para batería 1 o 2.

3. Inserte la llave de cierre hasta el fondo en el lugar que se muestra en la figura.



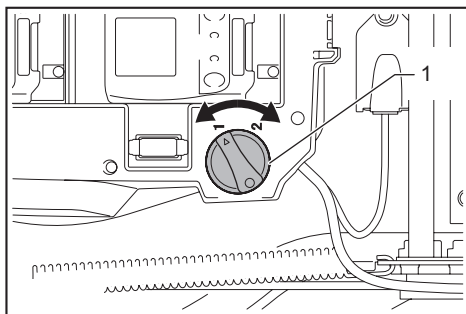
► 1. Llave de cierre

4. Cierre la cubierta de la batería y empújela hasta que quede trabada con la palanca de bloqueo.

Para retirar el cartucho de batería;

1. Jale hacia arriba la palanca de bloqueo y abra la cubierta de la batería.
2. Jale el cartucho de batería para extraerlo de la máquina mientras desliza el botón en la parte delantera del cartucho.
3. Saque la llave de cierre.
4. Cierre la cubierta de la batería.

Cambio de los cartuchos de batería



► 1. Interruptor de selección de baterías

La máquina utiliza 2 cartuchos de batería para operar a la vez. Se pueden instalar hasta cuatro cartuchos de batería en la máquina. Antes de operar la máquina, seleccione el puerto para batería 1 o puerto para batería 2 al girar el interruptor de selección de baterías.

NOTA: Si solo hay 2 cartuchos de batería instalados en la máquina, asegúrese de seleccionar el puerto de batería al cual están instalados los cartuchos de batería utilizando el interruptor de selección de baterías.

Sistema de protección de la máquina/batería

Esta máquina está equipada con un sistema de protección de la máquina/batería. Este sistema corta automáticamente la alimentación al motor para prolongar la vida útil de la máquina y la batería. La máquina se detendrá automáticamente durante la operación si la máquina o la batería se someten a una de las siguientes condiciones.

Protección contra sobrecarga

Cuando la batería sea utilizada de una manera que cause que consuma una cantidad anormalmente alta de corriente, la máquina se detendrá automáticamente y la luz indicadora de alimentación principal parpadeará en verde. En esta situación, apague la máquina y detenga la aplicación que haya causado que la máquina se sobrecargara. Luego encienda la máquina para volver a arrancarla.

Protección contra sobrecalentamiento

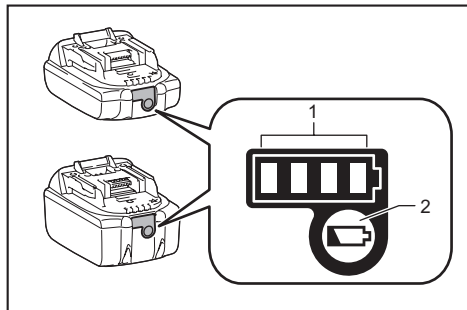
Cuando la máquina o la batería se sobrecalienten, la máquina se detendrá automáticamente y la luz indicadora de alimentación principal se encenderá en rojo. En este caso, permita que la máquina y la batería se enfríen antes de volver a encender la máquina.

Protección en caso de sobrecarga

Cuando la capacidad de la batería no sea suficiente, la máquina se detendrá automáticamente y la luz indicadora de alimentación principal parpadeará en rojo. En este caso, extraiga la batería de la máquina y cargue los cartuchos de batería, o reemplace los cartuchos de batería por cartuchos completamente cargados.

Indicación de la capacidad restante de la batería

Únicamente para cartuchos de batería con el indicador



► 1. Luces indicadoras 2. Botón de verificación

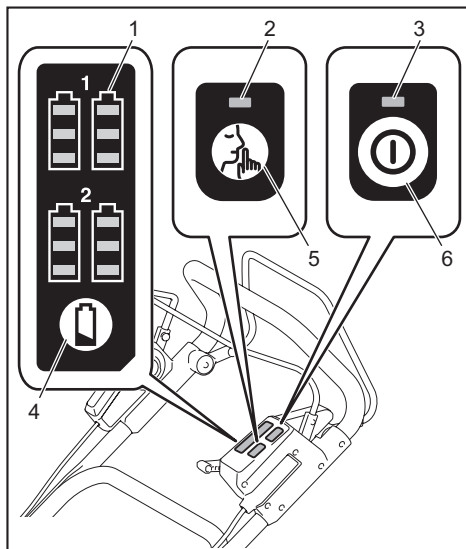
Oprima el botón de verificación en el cartucho de la batería para que indique la capacidad restante de la batería. Las luces indicadoras se iluminarán por algunos segundos.

Luces indicadoras			Capacidad restante
Iluminadas	Apagadas	Parpadeando	
■ ■ ■ ■	□ □ □ □	▬	75% a 100%
■ ■ ■ □	□ □ □ □	▬	50% a 75%
■ ■ □ □	□ □ □ □	▬	25% a 50%
■ □ □ □	□ □ □ □	▬	0% a 25%
▬ □ □ □	□ □ □ □	▬	Cargar la batería.
■ ■ □ □	□ □ □ □	▬	La batería pudo haber funcionado mal.
□ □ ■ ■	□ □ □ □	▬	

NOTA: Dependiendo de las condiciones de uso y la temperatura ambiente, la indicación podrá diferir ligeramente de la capacidad real.

Panel de control

El panel de control contiene el interruptor de alimentación principal, el botón de conmutación de modo, y el indicador de capacidad restante de la batería.



► 1. Indicador de batería 2. Luz indicadora de conmutación de modo 3. Luz indicadora de alimentación principal 4. Botón de verificación 5. Botón de conmutación de modo 6. Interruptor de alimentación principal

Interruptor de alimentación principal

ADVERTENCIA: Siempre apague el interruptor de alimentación principal cuando no lo vaya a utilizar.

Para encender la máquina, oprima el interruptor de alimentación principal. La luz indicadora de alimentación principal se iluminará en verde. Para apagar la máquina, oprima nuevamente el interruptor de alimentación principal.

NOTA: Si la luz indicadora de alimentación principal se enciende en rojo o parpadea en rojo o en verde, consulte las instrucciones para ver lo referente al sistema de protección de la máquina/batería.






NOTA: Esta máquina emplea la función de apagado automático. Para evitar un arranque accidental, el interruptor de alimentación principal se desactivará automáticamente cuando la palanca interruptora y la palanca de accionamiento (si está equipada) no hayan sido jaladas durante cierto período después de haber activado el interruptor de alimentación principal.

Botón de conmutación de modo

Puede conmutar el modo de operación pulsando el botón de conmutación de modo. Cuando se enciende, la máquina arranca en el modo normal. Cuando se oprime el botón de conmutación de modo, la máquina cambia al modo de reducción de ruido y la luz indicadora de conmutación de modo se enciende en verde. En el modo de reducción de ruido, se puede reducir el ruido cuando se corta el césped. Cuando se oprime de nuevo el botón de conmutación de modo, la máquina regresa al modo normal.

Indicación de capacidad restante de la batería

Oprima el botón de verificación para indicar las capacidades restantes de la batería. Los indicadores de batería corresponden a cada batería.

Estado del indicador de batería		Capacidad restante de la batería
 Encendido	 Apagado	
		50% - 100%
		20% - 50%
		0% - 20%

NOTA: Las luces indicadoras que muestran la capacidad restante de la batería solo son para referencia. La capacidad real de la batería puede variar, según las condiciones de uso.

NOTA: Antes de que oprima el botón de verificación para indicar las capacidades restantes de la batería, detenga la máquina.

Accionamiento del interruptor

⚠ ADVERTENCIA: Antes de insertar el cartucho de batería, compruebe siempre que la palanca interruptora se acciona debidamente y que regresa a la posición original una vez que la suelta. Usar la máquina con un interruptor que no funciona adecuadamente puede ocasionar la pérdida del control y lesiones personales graves.

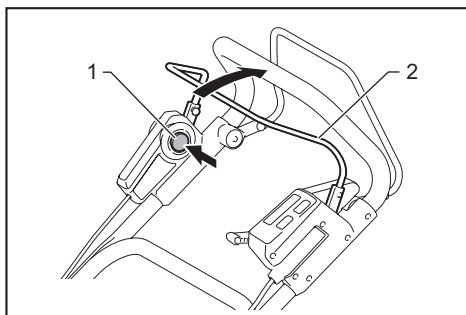
NOTA: La cortadora de césped no arranca si no se presiona el botón interruptor incluso al estar jalando la palanca interruptora.

NOTA: La cortadora de césped no arranca debido a la sobrecarga al intentar cortar césped largo o grueso de una sola vez. En este caso, aumente la altura de corte.

Esta cortadora de césped está equipada con la llave de cierre y un mango interruptor. Si observa alguna anomalía con cualquiera de la llave de cierre o el interruptor, detenga la operación de inmediato y llévelos a su centro de servicio autorizado de Makita más cercano para su inspección.

Para los modelos DLM462/DLM532

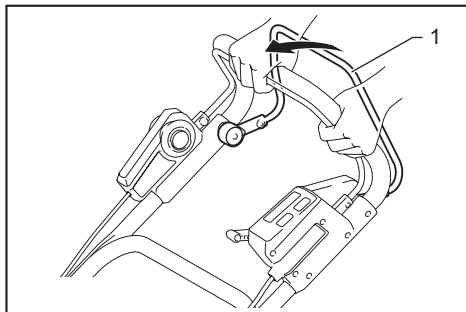
1. Instale los cartuchos de batería. Inserte la llave de cierre y luego cierre la cubierta de la batería.
2. Seleccione los cartuchos de batería utilizados para funcionamiento al girar el interruptor de selección de baterías.
3. Oprima el interruptor de alimentación principal.
4. Tire de la palanca interruptora hacia usted mientras mantiene presionado el botón interruptor. Suelte el botón interruptor tan pronto como el motor arranque.



► 1. Botón interruptor 2. Palanca interruptora

NOTA: Si la llave de cierre no está insertada, la luz indicadora de alimentación parpadeará en verde cuando se jale la palanca interruptora.

5. Mientras sostiene la palanca interruptora, empuje la palanca de accionamiento hacia adelante y sosténgala para accionar las ruedas traseras.



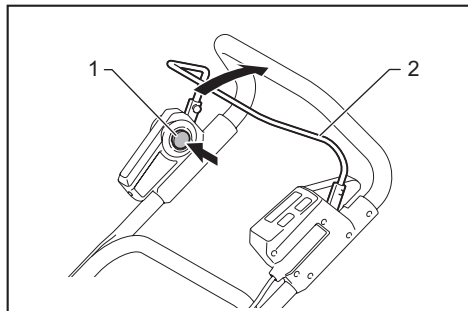
► 1. Palanca de accionamiento

NOTA: Usted puede accionar las ruedas traseras al empujar la palanca de accionamiento hacia adelante y sosteniéndola sin jalar de la palanca interruptora.

6. Suelte la palanca de accionamiento y la palanca interruptora para detener la máquina.

Para el modelo DLM530

1. Instale los cartuchos de batería. Inserte la llave de cierre y luego cierre la cubierta de la batería.
2. Seleccione los cartuchos de batería utilizados para funcionamiento al girar el interruptor de selección de baterías.
3. Oprima el interruptor de alimentación principal.
4. Tire de la palanca interruptora hacia usted mientras mantiene presionado el botón interruptor. Suelte el botón interruptor tan pronto como el motor arranque.



- 1. Botón interruptor 2. Palanca interruptora

NOTA: Si la llave de cierre no está insertada, la luz indicadora de alimentación parpadeará en verde cuando se jale la palanca interruptora.

5. Suelte la palanca interruptora para detener el motor.

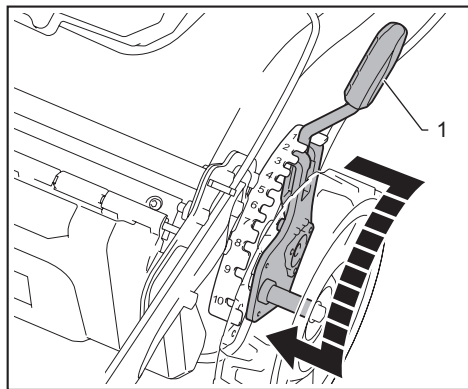
Ajuste de la altura de corte del césped

⚠ADVERTENCIA: Nunca coloque su mano o pierna debajo del cuerpo de la cortadora de césped cuando esté ajustando la altura de corte del césped.

⚠ADVERTENCIA: Asegúrese siempre de que la palanca encaje correctamente en la ranura antes de la operación.

La altura de corte del césped puede ajustarse en un rango entre 20 mm (13/16") y 100 mm (3-15/16").

Retire la llave de cierre, y luego jale la palanca de ajuste de la altura de corte del césped hacia afuera del cuerpo de la cortadora de césped y muévala hasta la altura de corte deseada.

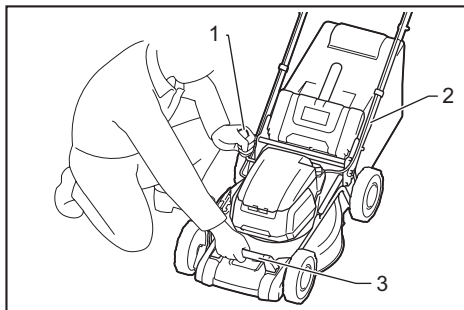


- 1. Palanca de ajuste de la altura de corte del césped

La tabla a continuación muestra la relación entre el número en el cuerpo de la cortadora de césped y la altura aproximada de corte del césped.

Número	Altura de corte del césped
1	20 mm (13/16")
2	26 mm (1")
3	32 mm (1-1/4")
4	39 mm (1-9/16")
5	47 mm (1-7/8")
6	55 mm (2-3/16")
7	63 mm (2-1/2")
8	74 mm (2-15/16")
9	86 mm (3-3/8")
10	100 mm (3-15/16")

Sujete la empuñadura delantera o el mango inferior con una mano, y luego mueva la palanca de ajuste de la altura de corte del césped con la otra mano.



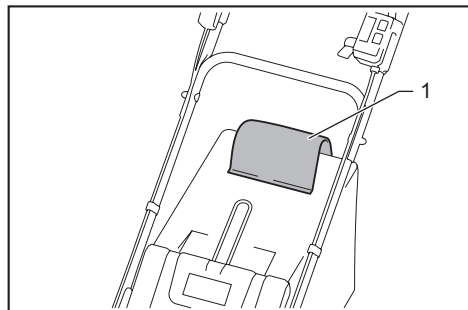
- 1. Palanca de ajuste de la altura de corte del césped 2. Mango inferior 3. Empuñadura delantera

NOTA: Las figuras que muestran la altura de corte del césped deben usarse únicamente como guía. Dependiendo de las condiciones del césped o el suelo, la altura real del césped puede variar ligeramente de la altura establecida.

NOTA: Procure realizar una prueba de corte de césped en un lugar menos evidente a fin de conseguir la altura de corte deseada.

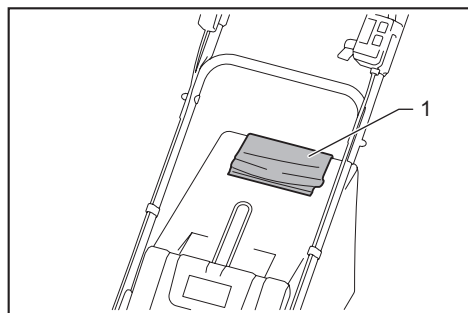
Indicador del nivel de césped

El indicador del nivel de césped muestra el volumen de césped podado. Cuando el canasto para césped no está lleno, el indicador oscila mientras las cuchillas están en funcionamiento.



► 1. Indicador del nivel de césped

Cuando el canasto para césped está casi lleno, el indicador deja de oscilar mientras las cuchillas están en funcionamiento. En este caso, pare inmediatamente la operación y vacíe el canasto.



► 1. Indicador del nivel de césped

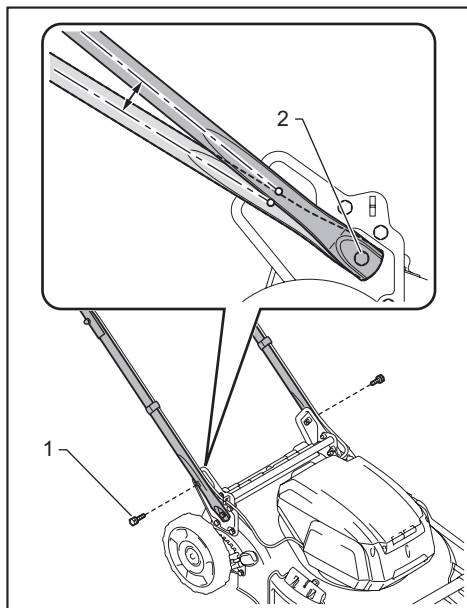
NOTA: Este indicador es una guía aproximada. Dependiendo de las condiciones en el interior del canasto, este indicador puede no ser preciso.

Ajuste de la altura del mango

⚠PRECAUCIÓN: Antes de retirar los pernos, sujete firmemente el mango superior. De lo contrario, el mango podría caerse y causar una lesión.

La altura del mango se puede ajustar en dos niveles.

1. Retire los pernos superiores del mango inferior con la llave de bujías 13 y luego afloje los pernos inferiores.

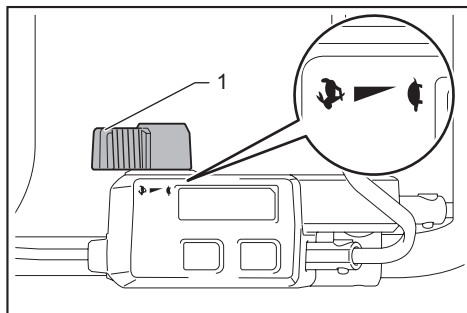


► 1. Perno superior 2. Perno inferior

2. Ajuste la altura del mango y luego apriete los pernos superiores e inferiores firmemente.

Ajuste de la velocidad de recorrido

Para los modelos DLM462/DLM532



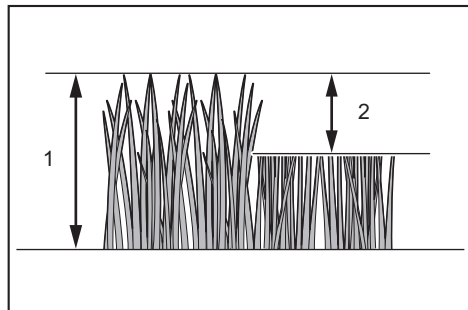
► 1. Palanca de velocidad

La velocidad de recorrido se puede ajustar con la palanca de velocidad. Para disminuir la velocidad, tire de la palanca hacia usted y, para aumentar la velocidad, gire la palanca hacia adelante.

Uso del tapón para mantillo

El tapón para mantillo permite echar el pasto cortado al suelo sin recolectarlo en el canasto para césped. Cuando opere la máquina con el tapón para mantillo, asegúrese de retirar el canasto para césped.

AVISO: Cuando utilice la máquina con el tapón para mantillo, asegúrese de que la longitud total del césped sea de 30 mm (1-3/16") o más, o la longitud de corte sea de 15 mm (9/16") o menos.



- (1) 30 mm (1-3/16") o más (2) 15 mm (9/16") o menos

Uso del aditamento de descarga

Para los modelos DLM530/DLM532

El aditamento de descarga le permite descargar el pasto cortado al suelo desde el lado derecho de la máquina, sin recolectar el pasto cortado en el canasto para césped. Cuando opere la máquina con el aditamento de descarga, asegúrese de instalar el tapón para mantillo y retire el canasto para césped.

Funcionamiento electrónico

La máquina está equipada con funciones electrónicas para facilitar la operación.

- Control de velocidad constante de la rotación de las cuchillas
El control de velocidad electrónico consiste en obtener una velocidad constante. Permite lograr un buen acabado debido a que la velocidad de rotación se mantiene constante aun bajo la condición de carga.
- Arranque suave al accionamiento
La función de arranque suave reduce el impacto de encendido y hace que la máquina se ponga en marcha suavemente.
- Freno eléctrico
Esta máquina está equipada con un freno eléctrico. Si la máquina falla constantemente en detenerse rápidamente las cuchillas de la cortadora de césped tras soltar la palanca interruptora, lleve la máquina a servicio a un centro de servicio autorizado de Makita.

OPERACIÓN

Corte del césped

ADVERTENCIA: Antes de cortar el césped, despeje las ramas y piedras del área de podado. Asimismo, despeje con antelación cualquier maleza en el área de podado.

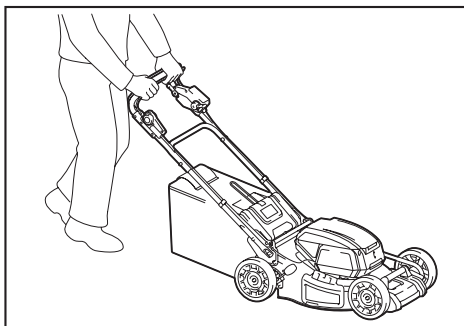
ADVERTENCIA: Use siempre gafas protectoras o gafas de seguridad con protección lateral al usar la cortadora de césped.

PRECAUCIÓN: Si llegara a haber pasto o algún objeto extraño atascado en el interior del cuerpo de la cortadora de césped, asegúrese de extraer la llave de cierre y el cartucho de batería, y de ponerse guantes antes de extraer el pasto o el objeto extraño.

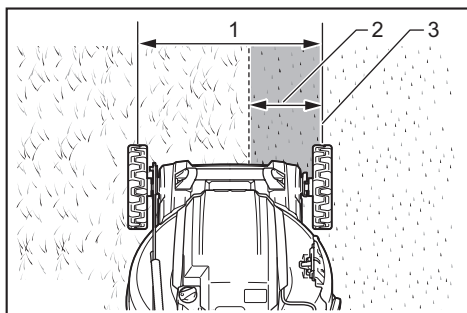
AVISO: Utilice esta máquina únicamente para cortar césped. No corte maleza con esta máquina.



Sujete el mango firmemente con ambas manos al cortar el césped. La referencia de velocidad del corte es de aproximadamente 7 metros a 14 metros (23 ft. - 46 ft.) cada 10 segundos.

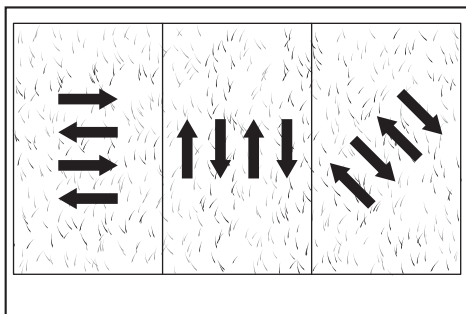


Las líneas centrales de las ruedas delanteras sirven como línea de guía para la amplitud de corte del césped. Usando las líneas centrales como guía, corte el césped en franjas. Traslape de una mitad a un tercio de la franja previa para cortar el césped de manera uniforme.



- 1. Amplitud de corte del césped 2. Área de traslapo
3. Línea central

Cambie la dirección del corte de césped cada vez para evitar que el patrón de grano del césped se forme sólo en una dirección.

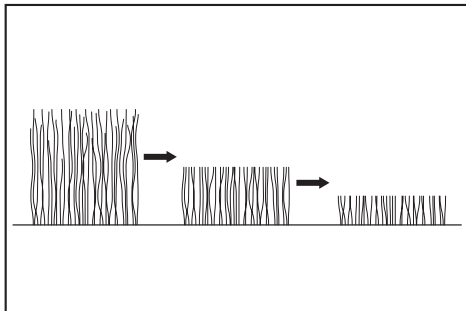


Revise periódicamente el canasto para césped para ver el nivel de pasto podado. Vacíe el canasto para césped antes de que se llene. Antes de cada revisión periódica, asegúrese de apagar la cortadora de césped y retire la llave de cierre y el cartucho de batería.

AVISO: El uso de la cortadora de césped con el canasto para césped lleno impide una rotación uniforme de la cuchilla e implica una sobrecarga del motor que puede causar alguna avería.

Corte de césped largo

No intente cortar el césped largo en una sola pasada. Procure hacerlo en diferentes pasos. Deje pasar uno o dos días entre cada corte hasta lograr que el césped quede cortado de manera uniforme.

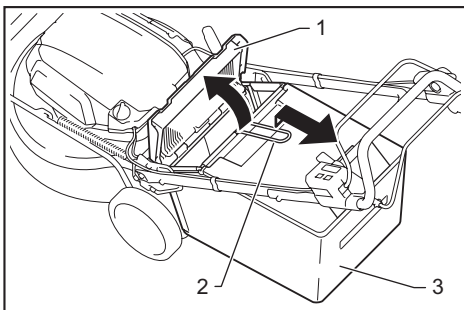


NOTA: Cortar césped largo para lograr que quede corto en una sola pasada puede causar que el césped se marchite. Además de que el césped podado puede causar una obstrucción en el interior del cuerpo de la cortadora de césped.

Vaciado del canasto para césped

ADVERTENCIA: Para reducir el riesgo de accidentes, revise regularmente el canasto para césped para ver si no hay daños o ha perdido resistencia. Reemplace el canasto para césped en caso necesario.

1. Libere la palanca interruptora y la palanca de accionamiento (para los modelos DLM462/DLM532), o libere la palanca interruptora (para el modelo DLM530).
2. Quite la llave de cierre.
3. Abra la cubierta posterior y retire el canasto para césped tomándolo del mango.



- 1. Cubierta posterior 2. Mango 3. Canasto para césped
4. Vacíe el canasto para césped.

MANTENIMIENTO

ADVERTENCIA: Asegúrese siempre de haber extraído la llave de cierre y el cartucho de batería de la cortadora de césped antes de almacenarla o trasladarla o de realizar una inspección o darle mantenimiento.

ADVERTENCIA: Siempre retire la llave de cierre cuando no vaya a utilizar la cortadora de césped. Almacene la llave de cierre en un lugar seguro fuera del alcance de los niños.

ADVERTENCIA: Use guantes al realizar una inspección o dar mantenimiento.

ADVERTENCIA: Use siempre gafas protectoras o gafas de seguridad con protección lateral al realizar labores de inspección o mantenimiento.

AVISO: Nunca use gasolina, bencina, diluyente (tíner), alcohol o sustancias similares. Puede que esto ocasione grietas o descoloramiento.

Para mantener la SEGURIDAD y FIABILIDAD del producto, las reparaciones, y cualquier otra tarea de mantenimiento o ajuste deberán ser realizadas en centros de servicio autorizados o de fábrica Makita, empleando siempre repuestos Makita.

Mantenimiento

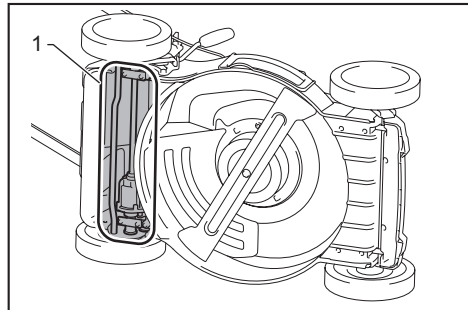
1. Retire la llave de cierre y los cartuchos de batería, y luego cierre la cubierta de la batería.
2. Coloque de lado la cortadora de césped de tal forma que la palanca de ajuste de la altura de corte del césped quede orientada hacia el lado de arriba. Limpie los residuos de césped que se hayan acumulado en la parte interna de la carcasa de la cortadora de césped.
3. Vierta agua sobre la parte inferior de la máquina a la que está acoplada la cuchilla.

AVISO: No lave la máquina con agua a alta presión.

4. Revise que todas las tuercas, pernos, tornillos, etc., estén bien apretados.
5. Inspeccione las piezas móviles para ver que no haya daños, roturas o desgastes. Las piezas dañadas o faltantes deberán ser reparadas o reemplazadas.
6. Almacene la cortadora de césped en un lugar seguro y fuera del alcance de los niños.

Para los modelos DLM462/DLM532

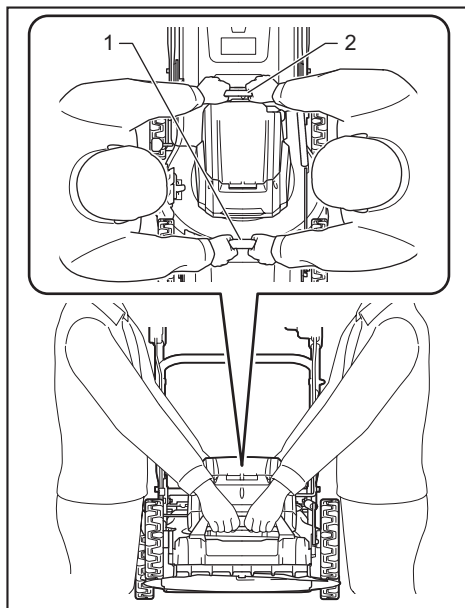
AVISO: No vierta agua en la zona que se muestra en la ilustración. Verter agua en el motor puede causar un mal funcionamiento de la máquina.



- 1. Área en donde no debe verterse agua

Traslado de la cortadora de césped

Para trasladar la cortadora de césped hacen falta dos personas que sujeten la empuñadura delantera y la empuñadura trasera, tal como se muestra en la figura.



- 1. Empuñadura delantera 2. Empuñadura trasera

Almacenamiento

Almacene la cortadora de césped en interiores en un lugar fresco, seco y bajo llave. No almacene la cortadora de césped ni el cargador en lugares donde la temperatura pueda alcanzar o exceder los 40 °C (104 °F).

Extracción o instalación de la cuchilla de la cortadora de césped

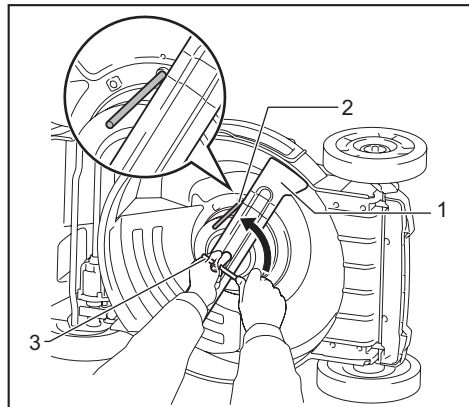
⚠ADVERTENCIA: La cuchilla continuará moviéndose por inercia durante algunos segundos tras haber soltado el interruptor. No realice ninguna operación hasta que la cuchilla se haya detenido por completo.

⚠ADVERTENCIA: Retire siempre la llave de cierre y el cartucho de batería al extraer o instalar la cuchilla. El no retirar la llave de cierre y el cartucho de batería puede ocasionar lesiones graves.

⚠ADVERTENCIA: Use siempre guantes al manipular la cuchilla.

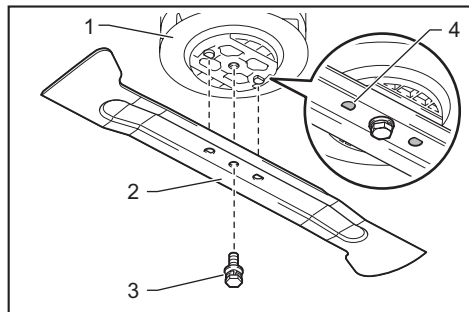
Extracción de la cuchilla de la cortadora de césped

1. Coloque de lado la cortadora de césped de tal forma que la palanca de ajuste de la altura de corte del césped quede orientada hacia el lado de arriba.
2. Para bloquear la cuchilla, inserte el pasador en un orificio del cuerpo de la cortadora de césped.
3. Gire el perno con la llave de bujías 17 en sentido inverso al de las manecillas del reloj.



- 1. Cuchilla de la cortadora de césped 2. Pasador
3. Llave de bujías

4. Retire el perno y luego la cuchilla de la cortadora de césped.



- 1. Soporte de la cuchilla 2. Cuchilla de la cortadora de césped 3. Perno 4. Protuberancia

AVISO: Cuando instale la cuchilla de la cortadora de césped, asegúrese de que las protuberancias en el soporte de la cuchilla encajen en los orificios en la cuchilla de la cortadora de césped.

Instalación de la cuchilla de la cortadora de césped

ADVERTENCIA: Instale la cuchilla de la cortadora de césped con cuidado. Ésta tiene una cara superior e inferior.

ADVERTENCIA: Apriete el perno firmemente en el sentido de las manecillas del reloj para asegurar la cuchilla.

ADVERTENCIA: Asegúrese de que la cuchilla de la cortadora de césped y todas las piezas de fijación sean instaladas correctamente y apretadas firmemente.

ADVERTENCIA: Para reemplazar las cuchillas, siempre siga las instrucciones proporcionadas en este manual.

AVISO: Después de instalar las cuchillas de la cortadora de césped, retire el pasador del cuerpo de la cortadora de césped.

Para instalar las cuchillas de la cortadora de césped, siga el procedimiento de extracción en orden inverso.

RESOLUCIÓN DE PROBLEMAS

Antes de solicitar alguna reparación, primero realice una inspección por su cuenta. Si detecta algún problema que no esté explicado en el manual, no intente desarmar la máquina. En vez de esto, solicite la reparación a un centro de servicio autorizado de Makita, usando siempre piezas de repuesto Makita.

Estado de la anomalía	Causa probable (avería)	Remedio
La cortadora de césped no arranca.	No se han instalado dos cartuchos de batería.	Instale dos cartuchos de batería cargados.
	Problema con la batería (bajo voltaje)	Recargue el cartucho de batería. Si la recarga no funciona, reemplace el cartucho de batería.
	La llave de cierre no está insertada.	Inserte la llave de cierre.
	El interruptor de selección de baterías no está en la posición correcta.	Seleccione el puerto de batería al cual están instalados los cartuchos de batería utilizando el interruptor de selección de baterías.
El motor deja de funcionar al poco tiempo de uso.	El nivel de carga de la batería es bajo.	Recargue el cartucho de batería. Si la recarga no funciona, reemplace el cartucho de batería.
	La altura de corte es demasiado baja.	Incremente la altura de corte.
	El pasto cortado queda atorado en la cortadora de césped.	Retire el pasto atorado de la cortadora de césped.
El motor no alcanza el nivel máximo de RPM.	El cartucho de batería no está instalado correctamente.	Instale el cartucho de batería como se describe en este manual.
	La potencia de la batería está disminuyendo.	Recargue el cartucho de batería. Si la recarga no funciona, reemplace el cartucho de batería.
	El sistema de activación no funciona correctamente.	Solicite la reparación al centro de servicio autorizado de su localidad.
La cuchilla de la cortadora de césped no gira: ⇒ ¡detenga la cortadora de césped de inmediato!	Se ha atorado un objeto extraño como una rama cerca de la cuchilla.	Retire el objeto extraño.
	El sistema de activación no funciona correctamente.	Solicite la reparación al centro de servicio autorizado de su localidad.
Vibración anormal: ⇒ ¡detenga la cortadora de césped de inmediato!	La cuchilla está desbalanceada o desgastada de manera excesiva o no uniforme.	Reemplace la cuchilla.

ACCESORIOS OPCIONALES

⚠PRECAUCIÓN: Estos accesorios o aditamentos están recomendados para utilizarse con su máquina Makita especificado en este manual. El uso de cualquier otro accesorio o aditamento puede ocasionar riesgo de lesiones personales. Use los accesorios o aditamentos sólo para los propósitos para los que fueron diseñados.

Si necesita cualquier ayuda para más detalles en relación con estos accesorios, pregunte a su centro de servicio local Makita.

- Cuchilla de la cortadora de césped
- Batería y cargador originales de Makita

NOTA: Algunos de los artículos en la lista puede que vengan junto con el paquete del producto como accesorios incluidos. Puede que estos accesorios varíen de país a país.

GARANTÍA LIMITADA DE MAKITA

Ésta Garantía no aplica para México

Consulte la hoja de la garantía anexa para ver los términos más vigentes de la garantía aplicable a este producto. En caso de no disponer de esta hoja de garantía anexa, consulte los detalles sobre la garantía descritos en el sitio web de su país respectivo indicado a continuación.

Estados Unidos de América: www.makitatools.com

Canadá: www.makita.ca

Otros países: www.makita.com

Makita Corporation
3-11-8, Sumiyoshi-cho,
Anjo, Aichi 446-8502 Japan
www.makita.com

885760-938 DLM462-1 EN, FRCA, ESMX 20191017
--