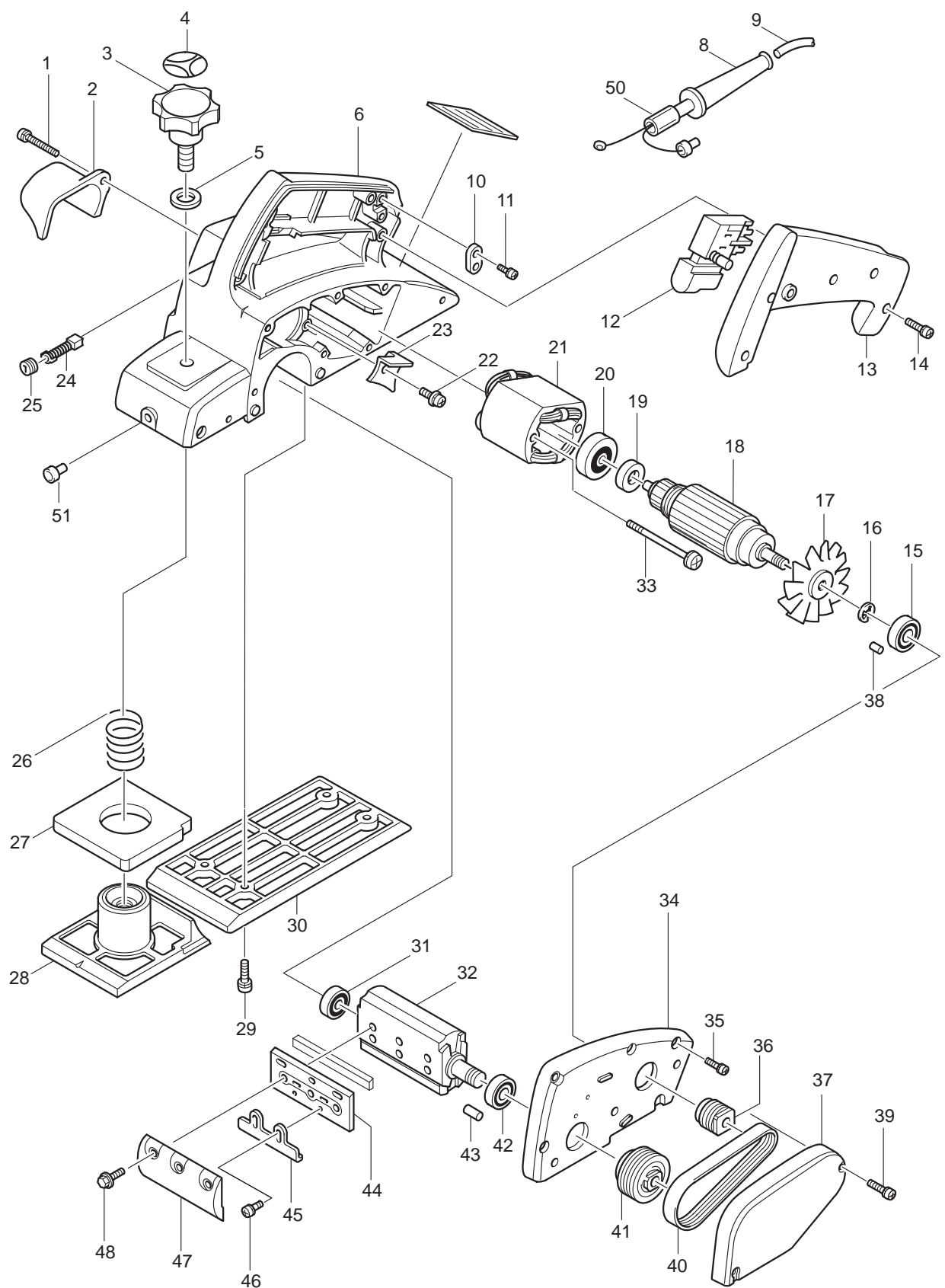




05 - 2010
1902
3-1/4" POWER PLANER



Item No	Type	Ref	Part No	Description	Qty	Unit
001			911128-8	PAN HEAD SCREW M4X16	1	PC.
002			416523-2	CHIP COVER	1	PC.
003			271231-0	KNOB 46	1	PC.
004			812004-8	SCALE LABEL (METRIC)	1	PC.
004			812137-9	SCALE LABEL (INCH)	1	PC.
005			941251-5	FLAT WASHER 10 (OLD# 253796-4)	1	PC.
006			159983-2	MAIN FRAME COMPLETE	1	PC.
		INC.	643556-6	BRUSH HOLDER 5-8	2	PC.
007			859017-8	NAME PLATE F/1902	1	PC.
008			682502-4	CORD GUARD 8-85	1	PC.
009			664064-4	CORD W/PLUG 2P-18-2.5M, SJ	1	PC.
010			687063-9	CORD CLAMP (STRAIN RELIEF)	1	PC.
011			911133-5	PAN HEAD SCREW M4X18	2	PC.
012	1		651232-8	SWITCH, TRIGGER, LOCK-ON	1	PC.
	2		651239-4	SWITCH, TRIGGER, LOCK-OFF	1	PC.
013			411170-4	HANDLE COVER	1	PC.
014			911148-2	PAN HEAD SCREW M4X25	4	PC.
015			211061-7	BALL BEARING 6000LLB	1	PC.
016			961015-1	STOP RING E-9	1	PC.
017			241510-0	FAN 52	1	PC.
018			511936-3	ARMATURE ASS'Y 115V	1	PC.
		INC.		Item No. 15-17,19,20	1	PC.
019			681614-0	INSULATION WASHER	1	PC.
020			211028-5	BALL BEARING 627LB	1	PC.
021			593116-3	FIELD ASS'Y 115V	1	PC.
		INC.	654018-9	RING TERMINAL	2	PC.
		INC.	654501-6	CONNECTOR P-1.25	2	PC.
022			911128-8	PAN HEAD SCREW M4X16	1	PC.
023			411153-4	AUXILIARY BAFFLE PLATE	1	PC.
024	2		194972-0	CARBON BRUSH SET CB-76 2PC/SET (W/ORIGIN)	1	SET
025			643550-8	BRUSH HOLDER CAP 5-8	2	PC.
026			231004-3	COMPRESSION SPRING 18	1	PC.
027			421007-7	RUBBER PACKING	1	PC.
028			316963-3	FRONT BASE	1	PC.
029			911226-8	PAN HEAD SCREW M5X18	4	PC.
030			316964-1	BASE	1	PC.
031			211032-4	BALL BEARING 608ZZ	1	PC.
032			161061-6	DRUM	1	PC.
033			911586-8	PAN HEAD SCREW M4X60	2	PC.
034			152565-9	BRACKET COMPLETE	1	PC.
		INC.		ITEM NO. 38, 43	1	PC.
035			911148-2	PAN HEAD SCREW M4X25 (OLD#911138-5)	6	PC.
036			222145-6	V-PULLEY 4-18L	1	PC.
037	2		450051-7	BELT COVER (OLD# 411019-8)	1	PC.
038			263002-9	RUBBER PIN 4	1	PC.
039			911148-2	PAN HEAD SCREW M4X25	2	PC.
040			225071-8	POLY V-BELT 4-241	1	PC.
041			222146-4	V-PULLEY 4-38	1	PC.
042			211062-5	BALL BEARING 6000ZZ	1	PC.
043			263002-9	RUBBER PIN 4	1	PC.
044			343433-9	SET PLATE F/MINI BLADE	2	PC.
045			342430-2	ADJUST PLATE	2	PC.
046			251246-3	+ PAN HEAD SCREW M4X5	4	PC.

Item No	Type	Ref	Part No	Description	Qty	Unit
047	2		187679-5	DRUM PLATE (2PCS/SET)	1	SET
048			251609-3	HEX. FLANGE HEAD BOLT M6X17	6	PC.
050			683240-1	TUBE 10-10.8-15	1	PC.
051			251812-6	SCREW M5X10 (OPTIONAL)	1	PC.
100			652008-6	P.H.SCREW M3.5X7	4	PC.
101			654037-5	INSULATED EYE TERMINAL FT1.25-M3	4	PC.
C01			843182-3	CARTON F/1902	1	PC.
<u>ACCESSORIES</u>						
A01			123010-1	BLADE GAUGE ASSY - PKG	1	PC.
		INC.	911228-4	PAN HEAD SCREW M5X18	2	PC.
		INC.	411086-3	GAUGE PLATE	1	PC.
A02			782209-3	SOCKET WRENCH 9	1	PC.
A03	2		D-16966	3-1/4"C.T MINI PLANER BLADE,35 DEGREE (2PCS/SET)	1	SET
A04			123004-6	SHARPENING HOLDER ASSY	1	PC.
		INC.	934301-3	WING NUT M6	2	PC.
		INC.	341003-8	PRESSURE PLATE	1	PC.
		INC.	411174-6	SHARPENING HOLDER	1	PC.
		INC.	251920-3	C.S.N.BOLT M6X30	2	PC.
A05			123060-6	BEVEL GUIDE ASSY	1	PC.
		INC.	923211-9	C.S.N.BOLT M5X12	2	PC.
		INC.	911221-8	P.H.SCREW M5X16	2	PC.
		INC.	934201-7	WING NUT M5	2	PC.
A06			STEX122275	JOINT 55 ASSY	1	PC.
A07			122230-4	DUST BAG ASSY	1	PC.
		INC.	213601-7	O RING 50	1	PC.
		INC.	152122-3	NOZZLE	1	PC.
		INC.	251812-6	SCREW M5X10	1	PC.
A08	2		191455-1	GUIDE RULE SET	1	PC.
A09	2		824944-8	PLASTIC CARRYING CASE	1	PC.
		INC.	418889-6	HANDLE	1	PC.
		INC.	417059-4	SNAP LOCK	2	PC.
A10			122194-2	NOZZLE ASSY	1	PC.
		INC.	213601-7	O RING 50	1	PC.
		INC.	152122-3	NOZZLE	1	PC.
		INC.	411311-2	ELBOW	1	PC.
A11			794061-7	DRESSING STONE 150-1200 (OLD# 741802-2 - N/L/A)	1	PC.
A12			191725-8	EXTENSION GUIDE SET	1	SET
		INC.	911201-4	P.H.SCREW M5X8	2	PC.
A13			193540-6	SET PLATE (FOR MINI PLANER BLADE) (2PC/SET)	1	SET
		INC.		Item No. 44		