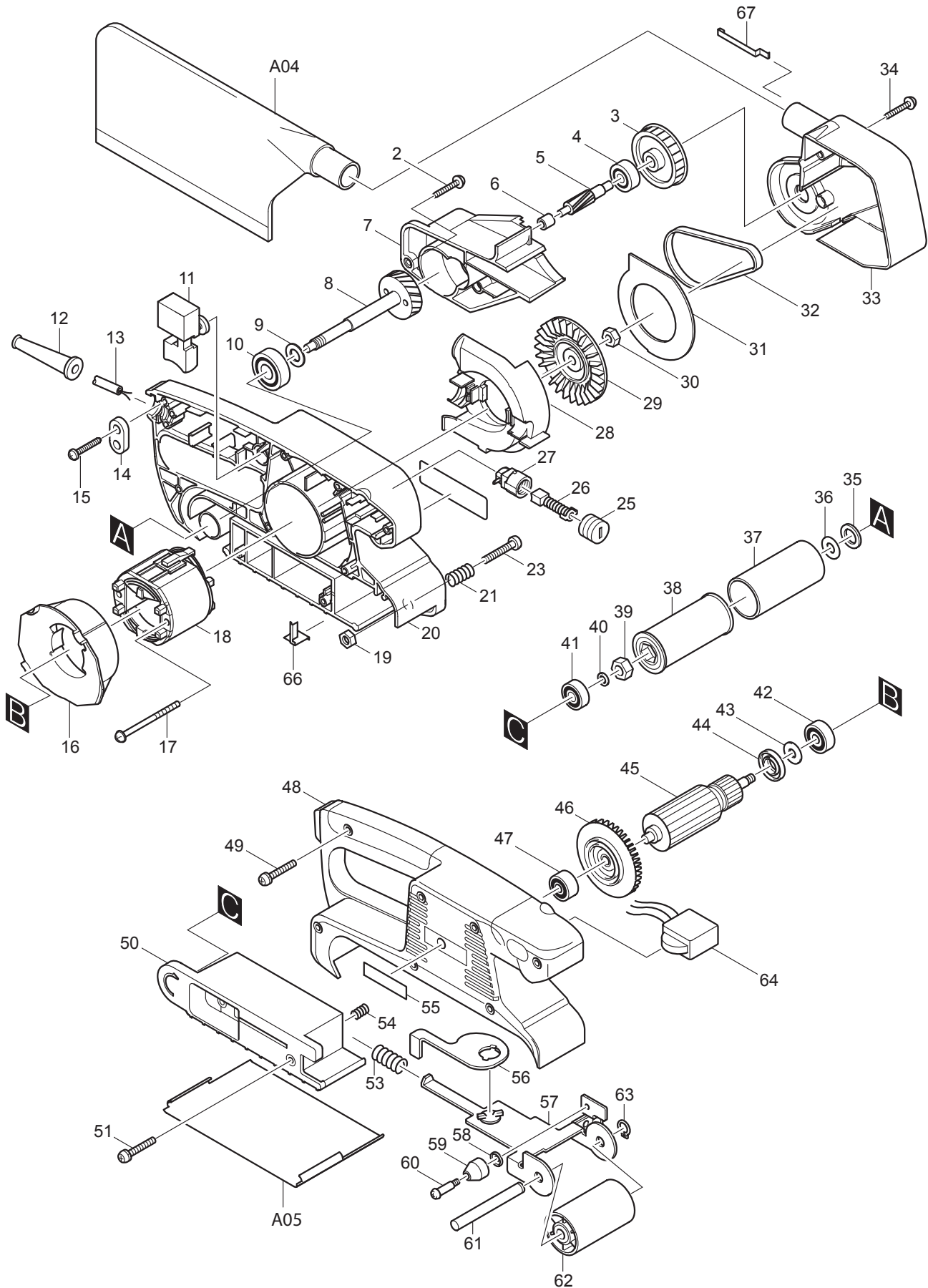




04 - 2010  
9911 / 9911KX1  
3/18" BELT SANDER



Item No	Type	Sub	Part No	Description	Qty	Unit
002			265999-8	TAPPING SCREW 4X25	4	PC.
003			222144-8	PULLEY 8.5-45.1	1	PC.
004			210005-4	BALL BEARING 608DDW	1	PC.
005			226494-3	HELICAL GEAR 6	1	PC.
006			212009-2	NEEDLE BEARING 509	1	PC.
007			416420-2	BRACKET	1	PC.
008			153252-3	HELICAL GEAR 31 COMPLETE	1	PC.
009			253758-2	FLAT WASHER 10	1	PC.
010			211061-7	BALL BEARING 6000LLB (OLD# 211088-7)	1	PC.
011	2		650232-5	SWITCH TGL215CDT-1 (TYPE1# 651285-7)	1	PC.
012			682502-4	CORD GUARD 8-85	1	PC.
013			664891-9	CORD WITH PLUG 2P-18-2.5M SJ	1	PC.
014			687063-9	CORD CLAMP (STRAIN RELIEF)	1	PC.
015			265995-6	TAPPING SCREW 4X18	2	PC.
016			416418-9	BAFFLE PLATE	1	PC.
017			266052-3	TAPPING SCREW 4X60	2	PC.
018	1		633391-0	FIELD 115V	1	PC.
	2		639383-7	FIELD 115V	1	PC.
019			931202-6	HEX. NUT M5	1	PC.
020			150958-4	HOUSING L COMPLETE	1	PC.
		INC.		Item No. 6,19		
021			233219-8	COMPRESSION SPRING 6	1	PC.
022			941102-2	FLAT WASHER 5 (Old)	1	PC.
023			911252-7	PAN HEAD SCREW M5X30	1	PC.
024	2		859603-5	NAME PLATE F/ 9911	1	PC.
025			643550-8	BRUSH HOLDER CAP 5-8	2	PC.
026	2		195008-8	CARBON BRUSH CB-408 2PC/SET (W/ ORIGIN)	1	SET
027			643922-7	BRUSH HOLDER	2	PC.
028			416416-3	SCROLL PLATE	1	PC.
029			241660-1	FAN 68	1	PC.
030			252153-3	HEX. NUT M6-10	1	PC.
031			344584-1	PLATE	1	PC.
032			225079-2	SYNCHRO BELT 6-300	1	PC.
033			183021-8	* BELT COVER SET (OLD# 416415-5 - N/L/A)	1	PC.
		INC.		* Item No. 67		
034			265999-8	TAPPING SCREW 4X25	4	PC.
035			267177-6	FLAT WASHER 12	1	PC.
036			253865-1	FLAT WASHER 8	1	PC.
037			422032-1	RUBBER SLEEVE 29	1	PC.
038			316971-4	DRIVING ROLLER	1	PC.
039			252154-1	HEX. NUT M8-13	1	PC.
040			253077-6	FLAT WASHER 6	1	PC.
041			210022-4	BALL BEARING 626DDW	1	PC.
042			210023-2	BALL BEARING 627DDW	1	PC.
043			253823-7	FLAT WASHER 7	1	PC.
044	2		681658-0	INSULATION WASHER (TYPE1# 681648-3)	1	PC.
045			517241-6	ARMATURE ASS'Y 115V	1	PC.
		INC.		Item No. 42-44,46,47		
046			240008-4	FAN 60	1	PC.
047			211021-9	BALL BEARING 607LLB	1	PC.
048			182982-9	HOUSING R	1	PC.
		INC.		Item No. 55		

Item No	Type	Sub	Part No	Description	Qty	Unit
049			265999-8	TAPPING SCREW 4X25	7	PC.
050			416419-7	SHOE	1	PC.
051			265999-8	TAPPING SCREW 4X25	2	PC.
053			233221-1	COMPRESSION SPRING 12	1	PC.
054			231038-6	COMPRESSION SPRING 6	1	PC.
055			819063-3	MAKITA LABEL	1	PC.
056			344585-9	LEVER	1	PC.
057			150837-6	TENSION ROLLER ARM COMPLETE	1	PC.
058			267731-6	CUP WASHER 4	1	PC.
059			416417-1	ROLLER	1	PC.
060			265059-6	SHOULDER SCREW M4	1	PC.
061			323776-5	TENSION ROLLER SHAFT	1	PC.
062			152585-3	TENSION ROLLER COMPLETE	1	PC.
063			961004-6	RETAINING RING S-8	1	PC.
064			631675-0	CONTROLLER (OLD# 631182-3 - N/L/A)	1	PC.
066			344703-9	* EARTH SUPPORTER	1	PC.
067			344701-3	* EARTH PLATE	1	PC.
068			632800-6	LEAD UNIT	2	PC.
100			652008-6	P.H. SCREW M3.5 X 7	4	PC.
101			654037-5	INSULATED EYE TERMINAL FT1.25-M3	4	PC.
E01			892672-3	CAUTION LABEL	1	PC.

#### **ACCESSORIES**

- See Catalogue or visit [www.makita.ca](http://www.makita.ca) for other optional accessories -

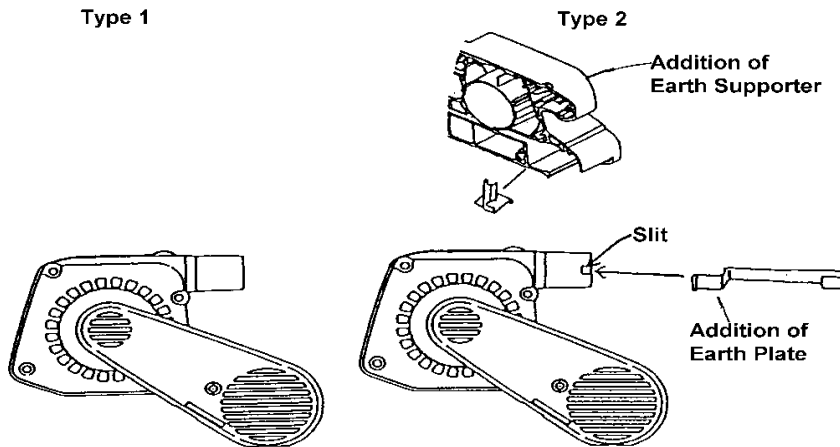
A01			794551-A	3X18" ABRASIVE BELT NAXB80, 10PC/SET	1	PC.
A02	2		824982-0	PLASTIC CARRYING CASE	1	PC.
		INC.	162271-8	LATCH	2	PC.
		INC.	450990-1	HANDLE	1	PC.
A03	1		824732-3	CARRYING CASE INNER TRAY F/824733-1	1	PC.
	2		837721-9	CARRYING CASE INNER TRAY F/824982-0	1	PC.
A04			122548-3	DUST BAG ASS'Y	1	PC.
		INC.	410602-8	FASTENER	1	PC.
A05			344586-7	STEEL PLATE	1	PC.
A06			192279-8	HOSE 1" DIA.X9.6FT	1	PC.
	2		A-34235	HOSE COMPLETE 28-1.5M SET W/FRONT CUFFS 22, 38	1	PC.
A07			192694-6	CLAMP COM.	1	PC.

## **SERVICE CHANGES**

### **1. Changes on Belt Cover and addition of Earth Supporter and Earth Plate**

Item No.	Description	Type 1	Type 2
33	Belt Cover / Belt Cover Set	416415-5	183021-8
66	Earth Supporter	-----	344703-9
67	Earth Plate	-----	344701-3
	Serial No. 9911	~ 8159E	8160E ~

Above parts are completely interchangeable as a set.



Earth Supporter and Earth Plate have been added and Belt Cover changed to prevent generation of static electricity.