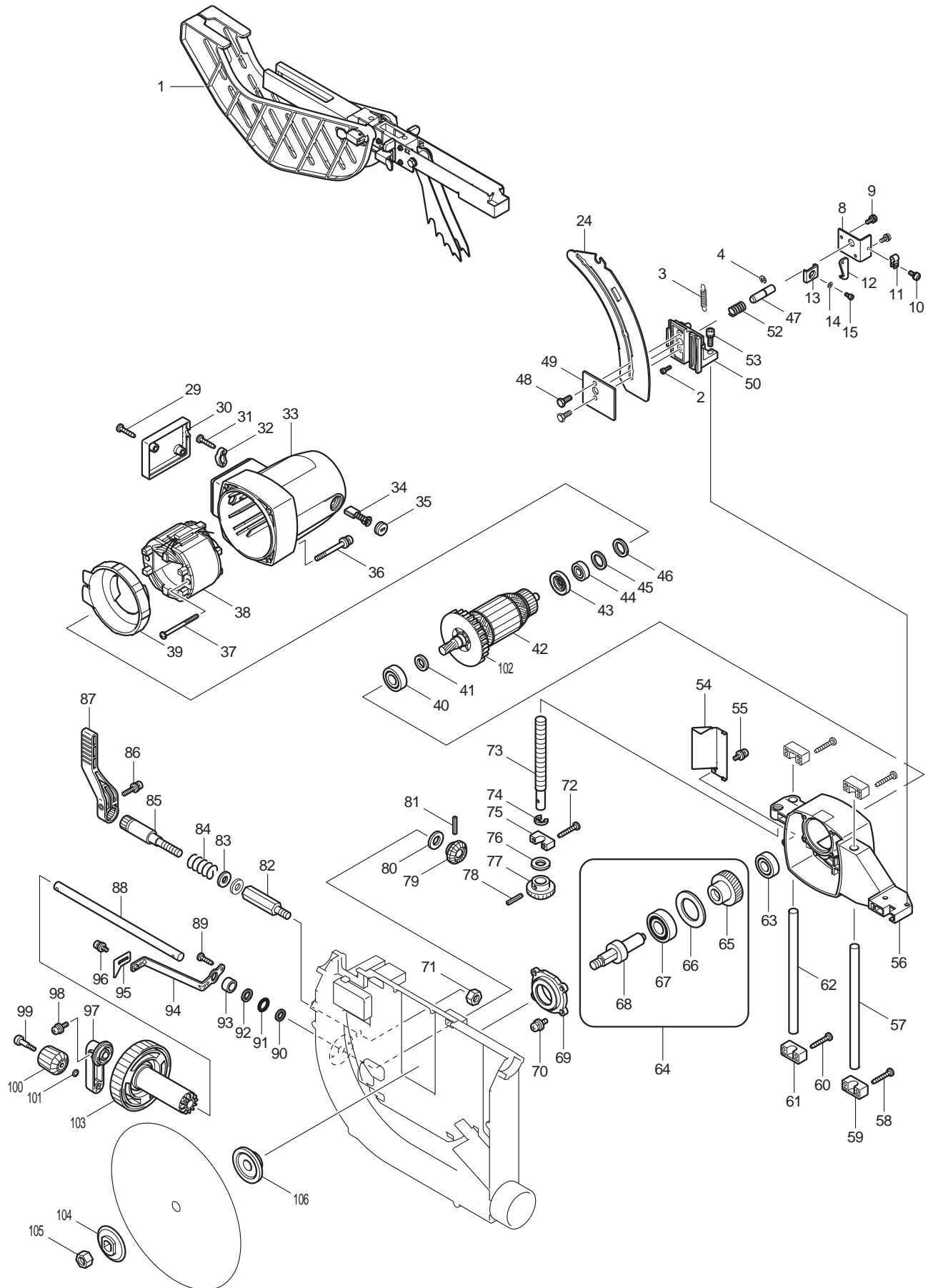
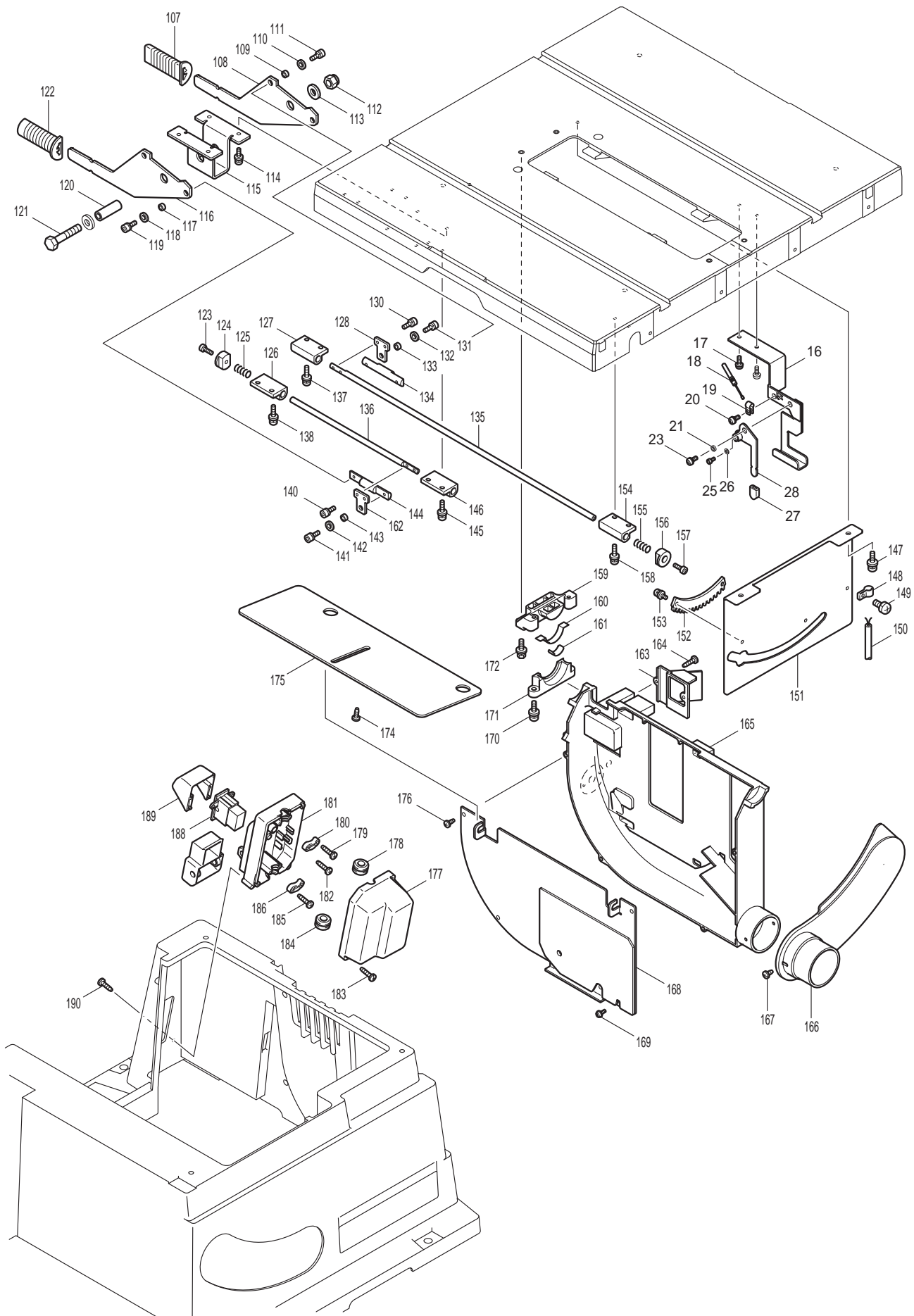
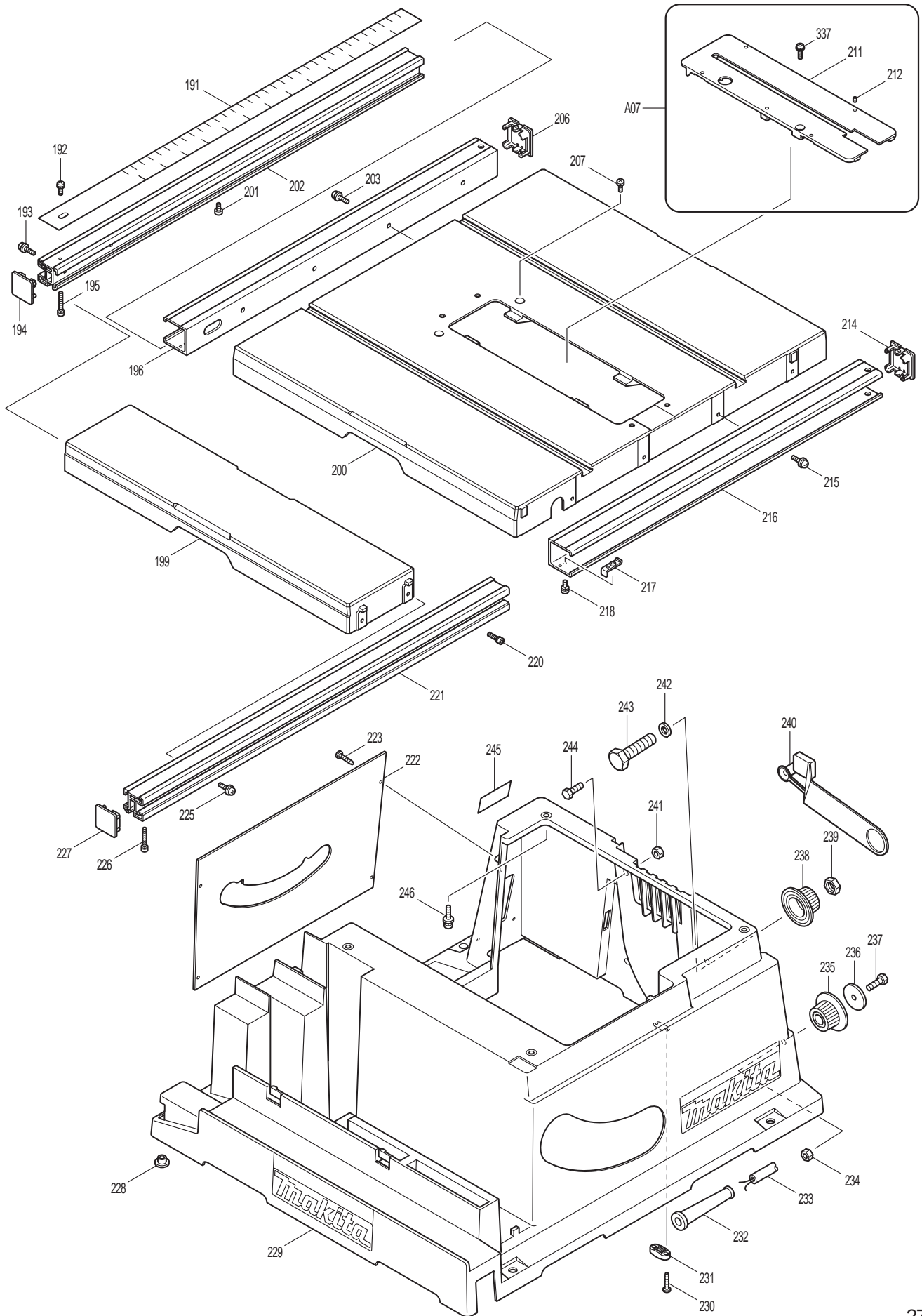


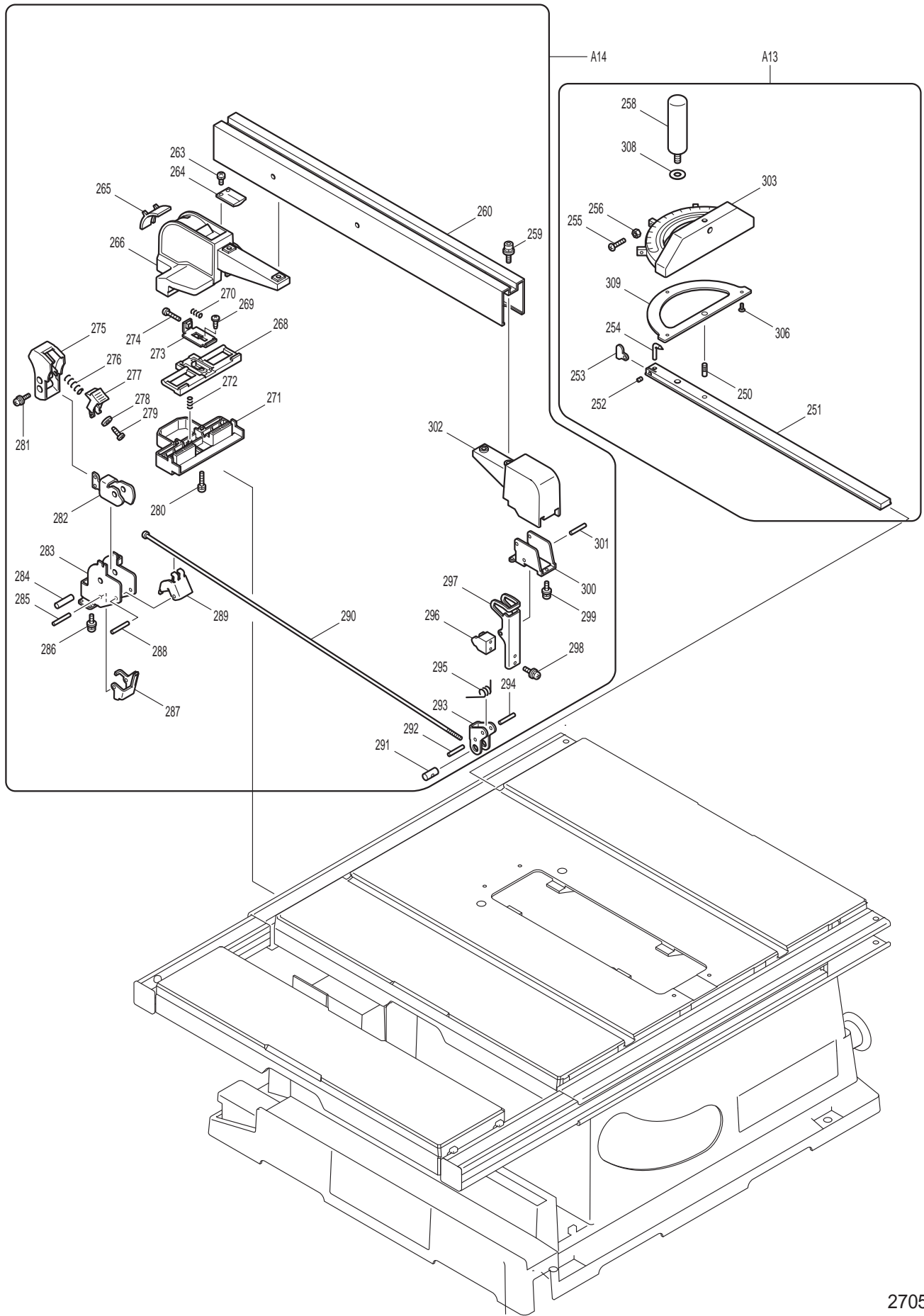


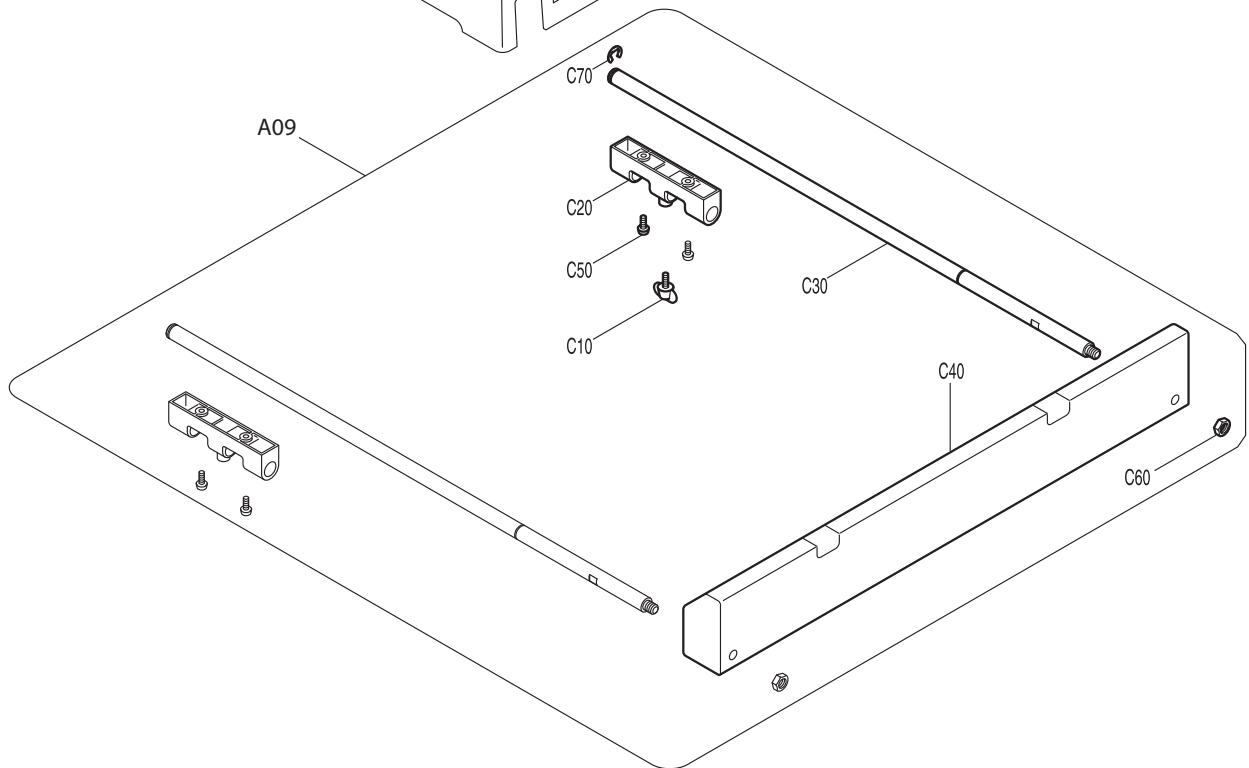
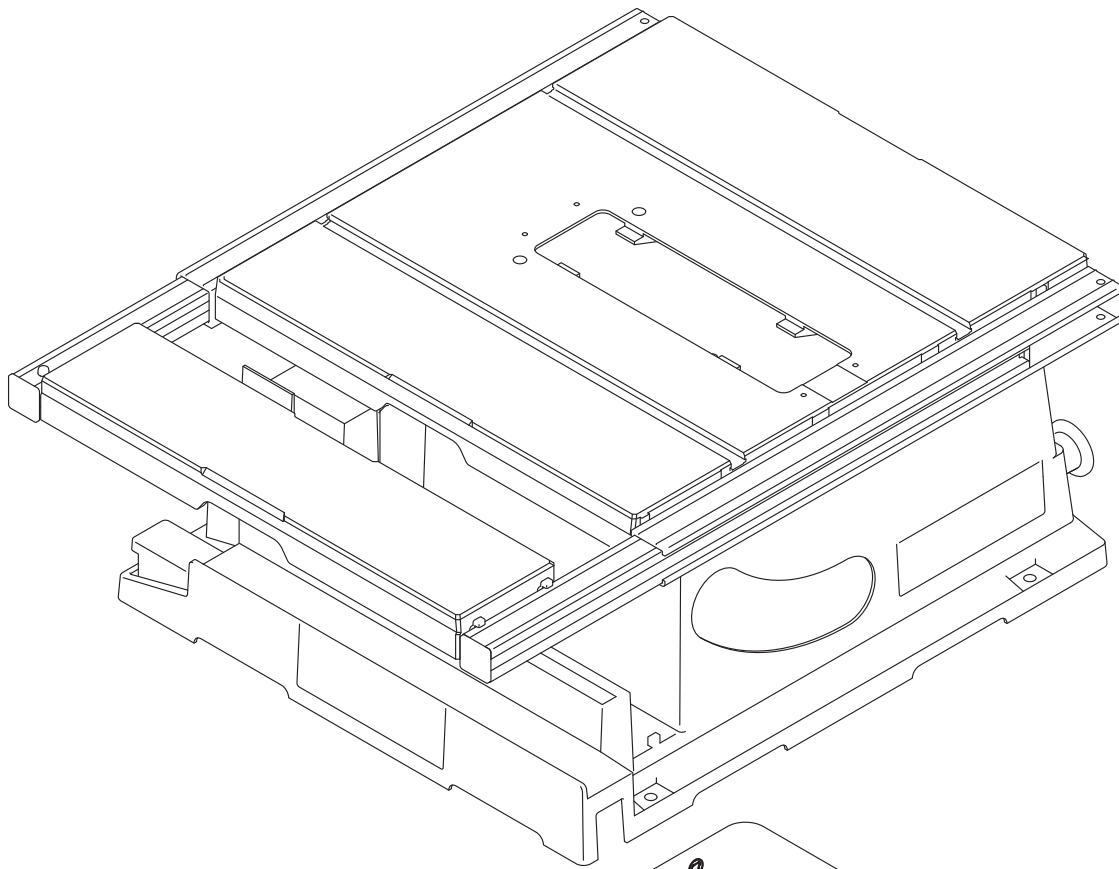
10 - 2010
2705
10" TABLE SAW

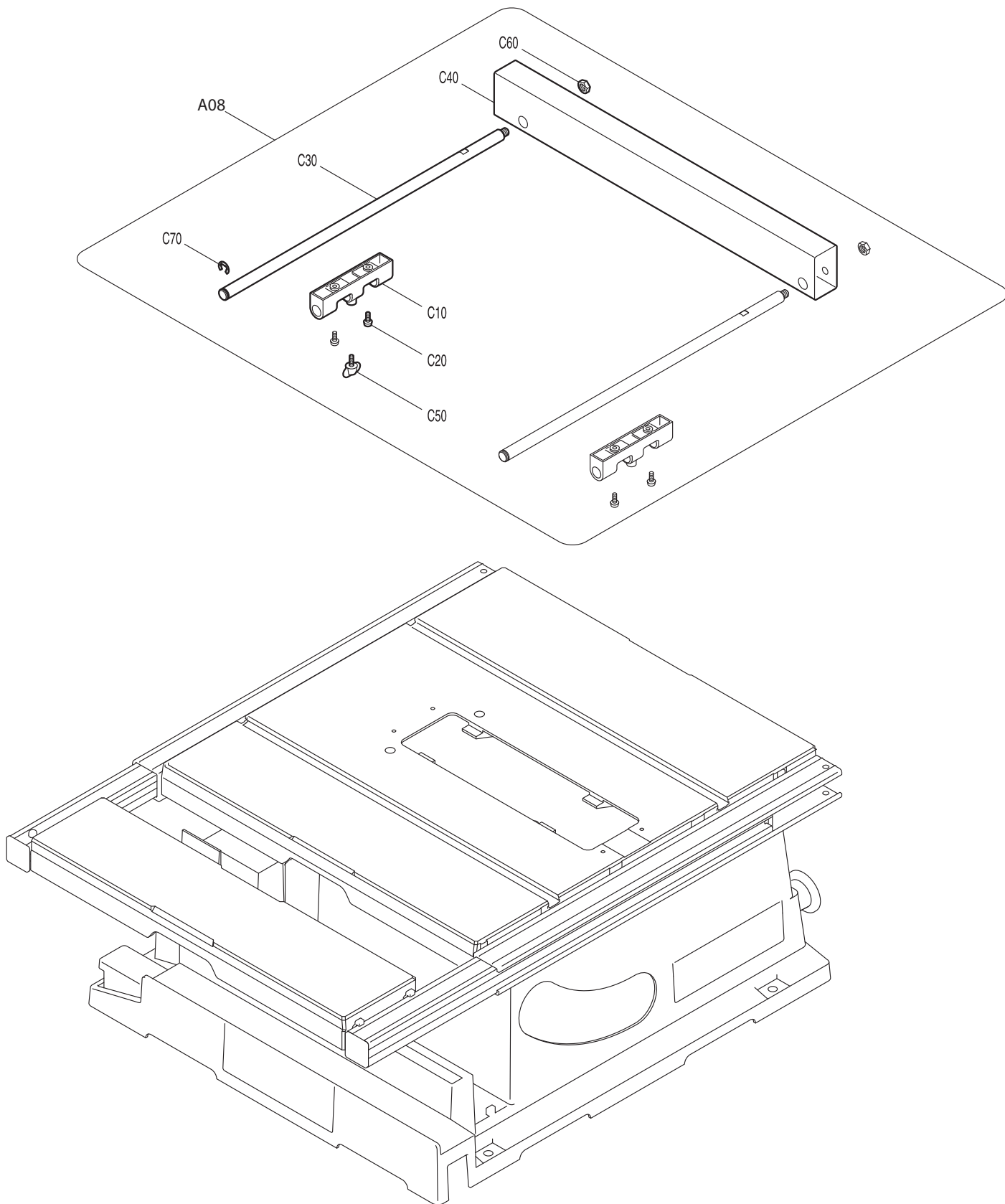


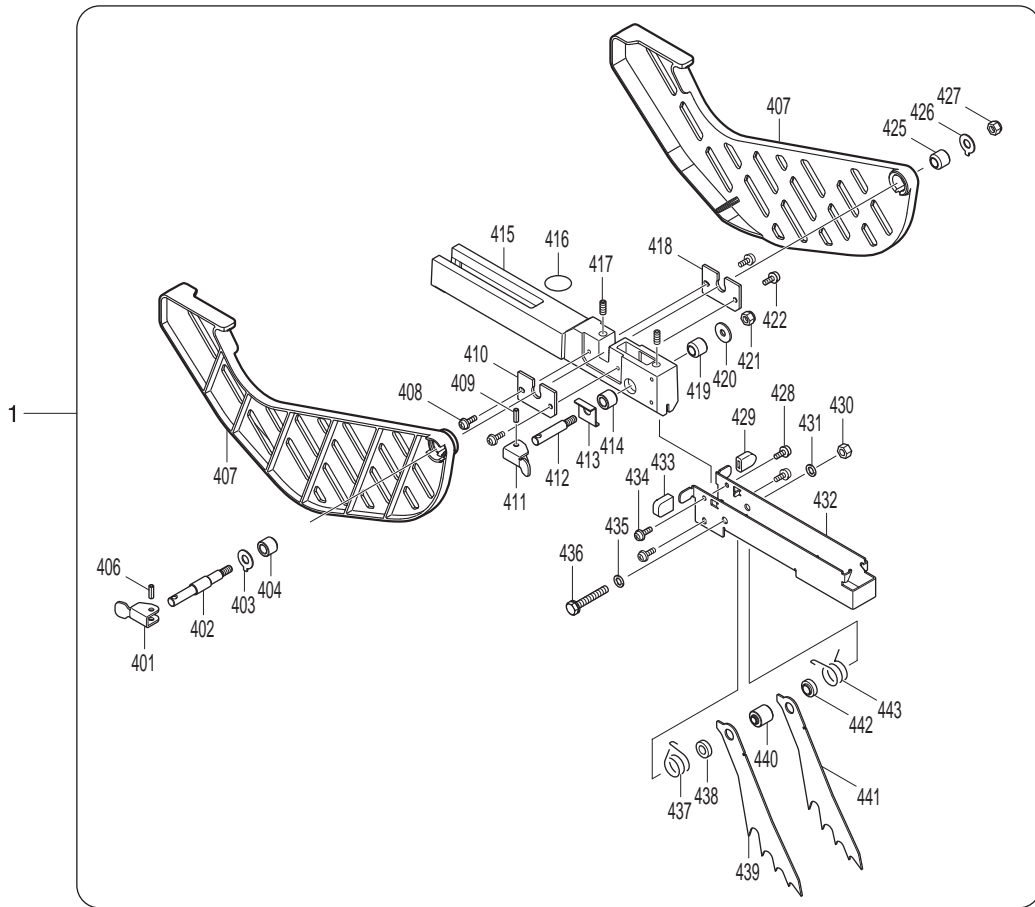












Item N	Type	Sub	Part No	Description	Qty	Unit
001			122820-3	SAFETY GUARD ASSY	1	PC.
		INC.		Item No. 401-404,406-423,425-443		
002			266273-7	HEX. SOCKET HEAD BOLT M4X12	1	PC.
003			231793-0	TENSION SPRING 5	1	PC.
004			961013-5	STOP RING E-7	1	PC.
008			346089-7	SUPPORT PLATE	1	PC.
009			911113-1	PAN HEAD SCREW M4X10	2	PC.
010			911213-7	PAN HEAD SCREW M5X12	1	PC.
011			687668-5	STRAIN RELIEF	1	PC.
012			345938-5	HOOK PLATE	1	PC.
013			346090-2	WIRE HOLDER	1	PC.
015	2		911113-1	* PAN HEAD SCREW M4X10	1	PC.
016			165531-7	LEVER STAY	1	PC.
017			911213-7	PAN HEAD SCREW M5X12	2	PC.
018			168479-2	WIRE	1	PC.
019			687668-5	STRAIN RELIEF	1	PC.
020			911213-7	PAN HEAD SCREW M5X12	1	PC.
021			257672-4	SLEEVE 5	1	PC.
023			911213-7	PAN HEAD SCREW M5X12	1	PC.
024			345940-8	RIVING KNIFE	1	PC.
025			922107-1	HEX. SOCKET HEAD BOLT M4X8	1	PC.
026			941052-1	FLAT WASHER 4	1	PC.
027			421818-0	RUBBER CAP	1	PC.
028			165509-0	RELEASE LEVER	1	PC.
029			265995-6	TAPPING SCREW 4X18	2	PC.
030			416341-8	COVER	1	PC.
031			265995-6	TAPPING SCREW 4X18	2	PC.
032			687054-0	STRAIN RELIEF	1	PC.
033			154602-5	MOTOR HOUSING COMPLETE	1	PC.
		INC.	643653-8	BRUSH HOLDER 6.5-13.5 (TYPE 2)	2	PC.
034	2		194986-9	CARBON BRUSH CB-154 2PC/SET W/ ORIGIN	1	SET
035			643650-4	BRUSH HOLDER CAP 6.5-13.5	2	PC.
036			911383-2	PAN HEAD SCREW M6X60	4	PC.
037	2		266352-1	TAPPING SCREW 5X65	2	PC.
038			596181-1	FIELD ASS'Y 115V	1	PC.
		INC.	654020-2	RING TERMINAL	2	PC.
		INC.	654553-7	CONNECTOR 34137	2	PC.
039			416331-1	BAFFLE PLATE	1	PC.
040			211228-7	BALL BEARING 6202DDW	1	PC.
041			253147-1	FLAT WASHER 15	1	PC.
042			510070-6	ARMATURE ASS'Y 115V	1	PC.
		INC.		Item No. 40,41,43,44,102		
043			681640-9	INSULATION WASHER	1	PC.
044			211088-7	BALL BEARING 6000DDW	1	PC.
045			253198-4	FLAT WASHER 18	1	PC.
046			261129-9	URETHANE WASHER 18	1	PC.
047			325674-9	PRESSURE SHAFT	1	PC.
048			265381-1	HEX. BOLT M6X16	2	PC.
049			345936-9	PRESSURE PLATE	1	PC.
050			318282-3	KNIFE HOLDER	1	PC.
052			234109-8	COMPRESSION SPRING 12	1	PC.
053			922334-0	HEX. SOCKET HEAD BOLT M6X20	2	PC.
054			344536-2	GEAR HOUSING PLATE	1	PC.
055			911213-7	PAN HEAD SCREW M5X12	1	PC.
056			158736-6	GEAR HOUSING COMPLETE	1	PC.
		INC.	263005-3	RUBBER PIN 6	1	PC.
057			323736-7	GUIDE BAR	1	PC.
058			266040-0	TAPPING SCREW CT 4X25	4	PC.

Item N	Type	Sub	Part No	Description	Qty	Unit
059			416340-0	GUIDE BAR RETAINER	2	PC.
060			266040-0	TAPPING SCREW CT 4X25	4	PC.
061			416340-0	GUIDE BAR RETAINER	2	PC.
062			323736-7	GUIDE BAR	1	PC.
063			211051-0	BALL BEARING 609LLB	1	PC.
064			154595-6	SPINDLE COMPLETE	1	PC.
		INC.		Item No. 65-68		
065			226602-6	HELICAL GEAR 42	1	PC.
066			267170-0	FLAT WASHER 34	1	PC.
067			211278-2	BALL BEARING 6203DDW	1	PC.
068			324556-2	SPINDLE	1	PC.
069			316933-2	BEARING BOX	1	PC.
070			911233-1	PAN HEAD SCREW M5X20	4	PC.
071			931502-4	HEX. NUT M10	1	PC.
072			266040-0	TAPPING SCREW CT 4X25	2	PC.
073			322968-3	SCREW BAR	1	PC.
074			961016-9	STOP RING E-10	1	PC.
075			416339-5	SCREW BAR RETAINER	1	PC.
076			941302-4	FLAT WASHER 12	1	PC.
077			226747-0	STRAIGHT BEVEL GEAR	1	PC.
078			951116-3	SPRING PIN 4-20	1	PC.
079			226747-0	STRAIGHT BEVEL GEAR	1	PC.
080			941302-4	FLAT WASHER 12	1	PC.
081			951116-3	SPRING PIN 4-20	1	PC.
082			324562-7	LOCK LEVER CONNECTOR	1	PC.
083			253024-7	FLAT WASHER 10	2	PC.
084			231315-6	COMPRESSION SPRING 14	1	PC.
085			322967-5	LOCK LEVER SHAFT	1	PC.
086			922232-8	HEX. SOCKET HEAD BOLT M5X20	1	PC.
087			272248-6	LEVER 120	1	PC.
088			324563-5	HANDLE SHAFT	1	PC.
089			266034-5	TAPPING SCREW CT 4X16	2	PC.
090			253143-9	FLAT WASHER 12	1	PC.
091			213107-5	O RING 12	1	PC.
092			253052-2	FLAT WASHER 12	1	PC.
093			214114-1	PLANE BEARING 12	1	PC.
094			345520-0	STAY	1	PC.
095			344543-5	POINTER	1	PC.
096			922103-9	HEX. SOCKET HEAD BOLT M4X6	1	PC.
097			271074-0	ARM 60	1	PC.
098			911223-4	PAN HEAD SCREW M5X16	1	PC.
099			251382-5	+ PAN HEAD SCREW M5	1	PC.
100			271423-1	KNOB 32	1	PC.
101			267010-2	FLAT WASHER 5	1	PC.
102			240003-4	FAN 80	1	PC.
103			271073-2	HANDLE 100	1	PC.
104	2		224482-4	OUTER FLANGE 53	1	PC.
105			252155-9	HEX. NUT M12-19	1	PC.
106			224401-0	INNER FLANGE 53	1	PC.
106A	Opt.		224333-1	INNER FLANGE 53 (FOR DADOING)(OPTION)	1	PC.
107			273523-3	GRIP	1	PC.
108			345534-9	HANDLE PLATE	1	PC.
109			257161-9	RING 4	1	PC.
110			941051-3	FLAT WASHER 4	1	PC.
111			922116-0	HEX. SOCKET HEAD BOLT M4X12	1	PC.
112			252130-5	HEX. LOCK NUT M10-17	1	PC.
113			941251-5	FLAT WASHER 10	2	PC.
114			911223-4	PAN HEAD SCREW M5X16	4	PC.

Item N	Type	Sub	Part No	Description	Qty	Unit
115			345539-9	HANDLE PLATE HOLDER	1	PC.
116			345534-9	HANDLE PLATE	1	PC.
117			257161-9	RING 4	1	PC.
118			941051-3	FLAT WASHER 4	1	PC.
119			922116-0	HEX. SOCKET HEAD BOLT M4X12	1	PC.
120			257753-4	SLEEVE 10	1	PC.
121			265536-8	HEX.BOLT M16X65	1	PC.
122			273523-3	GRIP	1	PC.
123			265382-9	HEX. SOCKET HEAD BOLT M5X20	1	PC.
124			324559-6	HOOK RING	1	PC.
125			233229-5	COMPRESSION SPRING 8	1	PC.
126			418655-1	ROD HOLDER	1	PC.
127			418655-1	ROD HOLDER	1	PC.
128			345535-7	JOINT PLATE	1	PC.
130			922116-0	HEX. SOCKET HEAD BOLT M4X12	2	PC.
131			922116-0	HEX. SOCKET HEAD BOLT M4X12	1	PC.
132			941051-3	FLAT WASHER 4	1	PC.
133			257161-9	RING 4	1	PC.
134			324675-4	ROD JOINT	1	PC.
135			324673-8	ROD R	1	PC.
136			324674-6	ROD F	1	PC.
137			911128-8	PAN HEAD SCREW M4X16	2	PC.
138			911128-8	PAN HEAD SCREW M4X16	2	PC.
140			922116-0	HEX. SOCKET HEAD BOLT M4X12	2	PC.
141			922116-0	HEX. SOCKET HEAD BOLT M4X12	1	PC.
142			941051-3	FLAT WASHER 4	1	PC.
143			257161-9	RING 4	1	PC.
144			324675-4	ROD JOINT	1	PC.
145			911128-8	PAN HEAD SCREW M4X16	2	PC.
146			418655-1	ROD HOLDER	1	PC.
147			911323-0	PAN HEAD SCREW M6X16	2	PC.
148			687049-3	STRAIN RELIEF	1	PC.
149			251308-7	+ PAN HEAD SCREW M4X10	1	PC.
150			664084-8	CORD W/PLUG 3P-14-0.5M	1	PC.
151			345628-0	PLATE	1	PC.
152			416333-7	RACK PLATE	1	PC.
153			911213-7	PAN HEAD SCREW M5X12	2	PC.
154			418655-1	ROD HOLDER	1	PC.
155			233229-5	COMPRESSION SPRING 8	1	PC.
156			324559-6	HOOK RING	1	PC.
157			265382-9	HEX. SOCKET HEAD BOLT M5X20	1	PC.
158			911128-8	PAN HEAD SCREW M4X16	2	PC.
159			318020-3	ADJUST BLOCK	1	PC.
160			344529-9	SLIDE SEAT	2	PC.
161			232174-1	LEAF SPRING	2	PC.
162			345535-7	JOINT PLATE	1	PC.
163			416439-1	DUST GUIDE	1	PC.
164			266034-5	TAPPING SCREW CT 4X16	2	PC.
165			318253-0	FRAME	1	PC.
166			418917-7	DUST JOINT	1	PC.
167			266061-2	TAPPING SCREW· BIND· CT· 4X8	2	PC.
168			154599-8	FRAME COVER COMPLETE	1	PC.
169			911114-9	PAN HEAD SCREW M4X10	1	PC.
170			911333-7	PAN HEAD SCREW M6X20	4	PC.
171			416332-9	FRAME RETAINER	2	PC.
172			265460-5	HEX. BOLT M6X20	2	PC.
174			266300-0	TAPPING SCREW 4X18	1	PC.
175			413097-4	SLIDE COVER	1	PC.

Item N	Type	Sub	Part No	Description	Qty	Unit
176			266035-3	TAPPING SCREW BIND CT 5X12	4	PC.
177			418918-5	SWITCH BOX	1	PC.
178	1		682511-3	GROMMET	1	PC.
		2	682103-8	GROMMET	1	PC.
179			265995-6	TAPPING SCREW 4X18	2	PC.
180			687054-0	STRAIN RELIEF	1	PC.
181			418911-9	SWITCH BASE	1	PC.
182			265995-6	TAPPING SCREW 4X18	2	PC.
183			265995-6	TAPPING SCREW 4X18	2	PC.
184	1		682511-3	GROMMET	1	PC.
		2	682103-8	GROMMET	1	PC.
185			265995-6	TAPPING SCREW 4X18	2	PC.
186			687052-4	STRAIN RELIEF	1	PC.
188			651573-2	SWITCH	1	PC.
189			418909-6	SWITCH COVER	1	PC.
190			266192-7	TAPPING SCREW 4X14	3	PC.
191			816835-7	INNER SCALE PLATE	1	PC.
192			251308-7	+ PAN HEAD SCREW M4X10	1	PC.
193			911253-5	PAN HEAD SCREW M5X30	2	PC.
194			418908-8	INNER RAIL END	1	PC.
195			922146-1	HEX. SOCKET HEAD BOLT M4X25	1	PC.
196			154596-4	FRONT OUTER RAIL COMPLETE	1	PC.
		INC.	816834-9	OUTER SCALE PLATE	1	PC.
199			317877-9	SUB TABLE	1	PC.
200			158746-3	TABLE COMPLETE	1	PC.
		INC.	346068-5	PLATE	1	PC.
		INC.	911118-1	PAN HEAD SCREW M4X12	2	PC.
201			922126-7	HEX. SOCKET HEAD BOLT M4X16	1	PC.
202			158104-3	FRONT INNER RAIL COMPLETE	1	PC.
203			911233-1	PAN HEAD SCREW M5X20	4	PC.
206			418907-0	OUTER RAIL END	1	PC.
207			265045-7	+ PAN HEAD SCREW M5X18	2	PC.
211	1		317875-3	CENTER COVER - For Assembly, See A07	1	PC.
	2		319717-7	CENTER COVER - For Assembly, See A07	1	PC.
				CENTER COVER - For Assembly, See A07A		
211A	Opt.		317934-3	(FOR DADOING)(OPTION)	1	PC.
212			266264-8	H.S.SET SCREW(FLAT POINT)M5X6	4	PC.
214			418907-0	OUTER RAIL END	1	PC.
215			911233-1	PAN HEAD SCREW M5X20	4	PC.
216			317867-2	REAR OUTER RAIL	1	PC.
217			345529-2	RAIL STOPPER	1	PC.
218			251308-7	+ PAN HEAD SCREW M4X10	1	PC.
220			922126-7	HEX. SOCKET HEAD BOLT M4X16	1	PC.
221			158103-5	REAR INNER RAIL COMPLETE	1	PC.
222			345635-3	BASE FRONT COVER	1	PC.
223			266192-7	TAPPING SCREW 4X14	4	PC.
225			911253-5	PAN HEAD SCREW M5X30	2	PC.
226			922146-1	HEX. SOCKET HEAD BOLT M4X25	1	PC.
227			418908-8	INNER RAIL END	1	PC.
228			286212-1	CAP 20	4	PC.
229			154600-9	BASE COMPLETE	1	PC.
		INC.	810093-7	CAUTION LABEL	1	PC.
		INC.	819176-0	MAKITA LOGO PLATE	3	PC.
230			265995-6	TAPPING SCREW 4X18	2	PC.
231			687052-4	STRAIN RELIEF	1	PC.
232			682504-0	CORD GUARD 10-85	1	PC.
233			664463-0	CORD W/PLUG 2P-14-2.5M, SJ	1	PC.
234			931302-2	HEX. NUT M6	2	PC.

Item N	Type	Sub	Part No	Description	Qty	Unit
235			271318-8	KNOB 37	2	PC.
236			941151-9	FLAT WASHER 6	2	PC.
237			921342-8	HEX. BOLT M6X25	2	PC.
238			271320-1	KNOB 37	1	PC.
239			252197-3	HEX.NUT M14	1	PC.
240			421926-7	HOLDER	1	PC.
241			931402-8	HEX. NUT M8	1	PC.
242			253797-2	FLAT WASHER 14	1	PC.
243			265537-6	HEX.BOLT M14X65	1	PC.
244			921462-8	HEX. BOLT M8X40	1	PC.
245			865270-6	2705 NAME PLATE	1	PC.
246			911344-2	PAN HEAD SCREW M6X25	4	PC.
250			256769-6	PIN 6	1	PC.
251			317872-9	ANGLE RAIL	1	PC.
252			266378-3	H.S.SET SCREW(FLAT POINT)M5X5	2	PC.
253			345523-4	ANGLE STOPPER	1	PC.
254			324530-0	SCALE PIN	1	PC.
255			911138-5	PAN HEAD SCREW M4X20	3	PC.
256			931102-0	HEX. NUT M4	3	PC.
258			273527-5	GRIP 28 - N/L/A (Use 122838-4 for replacement)	1	PC.
259			922333-2	HEX.SOCKET HD BOLT M6X20	4	PC.
260			317897-3	RULER	1	PC.
263			911108-4	PAN HEAD SCREW M4X8	2	PC.
264			418945-2	LENS	1	PC.
265			418943-6	COVER	1	PC.
266			154594-8	RULE HOLDER COMPLETE	1	PC.
		INC.	816838-1	INDICATION LABEL	1	PC.
268			418948-6	SQUARE GUIDE	1	PC.
269			265954-0	TAPPING SCREW BIND PT3X8	1	PC.
270			231485-1	COMPRESSION SPRING 4	1	PC.
271			418947-8	RULE HOLDER GUIDE	1	PC.
272			231485-1	COMPRESSION SPRING 4	1	PC.
273			345560-8	LOCK PLATE	1	PC.
274			265155-0	+PAN HEAD SCREW M5X25	1	PC.
275			418946-0	LEVER	1	PC.
276			231297-2	COMPRESSION SPRING 9	1	PC.
277			418944-4	LOCK LEVER	1	PC.
278			253874-0	FLAT WASHER 4	1	PC.
279			266020-6	TAPPING SCREW 4X12	1	PC.
280			911133-5	PAN HEAD SCREW M4X18	4	PC.
281			911238-1	PAN HEAD SCREW M5X22	2	PC.
282			345566-6	HANDLE CAM	1	PC.
283	2		140D16-8	HANDLE CAM SUPPORT COM.	1	PC.
		INC.	345559-3	HANDLE CAM SUPPORT	1	PC.
		INC.		Item No. 282, 284, 285, 287-289	1	PC.
284			256029-6	PIN 8	1	PC.
285			256200-2	PIN 5	1	PC.
286			911118-1	PAN HEAD SCREW M4X12	4	PC.
287			345564-0	LOCK PLATE STAY	1	PC.
288			256200-2	PIN 5	1	PC.
289			345565-8	HOOK JOINT	1	PC.
290			265154-2	+P.H.SCREW M5X655	1	PC.
291			324555-4	NUT M5	1	PC.
292			256262-0	PIN 5	1	PC.
293			345562-4	RULER TOP CONNECTER	1	PC.
294			256262-0	PIN 5	1	PC.
295			231683-7	TORSION SPRING 8	1	PC.
296			313123-8	RULER TOP	1	PC.

Item N	Type	Sub	Part No	Description	Qty	Unit
297			345563-2	RULER TOP GUIDE	1	PC.
298			911118-1	PAN HEAD SCREW M4X12	2	PC.
299			911118-1	PAN HEAD SCREW M4X12	3	PC.
300	1		345561-6	RULER TOP SUPPORT	1	PC.
	2		140D15-0	RULER TOP SUPPORT COMPLETE	1	PC.
		INC.	345561-6	RULER TOP SUPPORT	1	PC.
		INC.		Item No. 291-295, 297, 301	1	PC.
301			256262-0	PIN 5	1	PC.
302			317895-7	RULER TOP HOLDER	1	PC.
306			265160-7	+ COUNTERSUNK HEAD SCREW M4X8	3	PC.
308			267305-3	FLAT WASHER 5/16"	1	PC.
309			419219-4	ANGLE RULE COVER	1	PC.
337			911233-1	PAN HEAD SCREW M5X20	1	PC.
401			345933-5	LOCK LEVER	1	PC.
402			324902-9	LOCK SHAFT L	1	PC.
403			941201-0	FLAT WASHER 8	1	PC.
404			257771-2	SLEEVE 8	1	PC.
406			951104-0	SPRING PIN 4-12	1	PC.
407			188697-6	GUARD SET	1	SET
408			911113-1	PAN HEAD SCREW M4X10	2	PC.
409			951104-0	SPRING PIN 4-12	1	PC.
410			345932-7	GUARD SUPPORT	1	PC.
411			345933-5	LOCK LEVER	1	PC.
412			324903-7	LOCK SHAFT S	1	PC.
413			345934-3	LEVER HOLDER	1	PC.
414			257771-2	SLEEVE 8	1	PC.
415			318281-5	TOP GUARD BASE	1	PC.
416			817283-3	CAUTION LABEL	1	PC.
417			266213-5	H.S.SET SCREW(FLAT POINT)M5X12	2	PC.
418			345932-7	GUARD SUPPORT	1	PC.
419			257771-2	SLEEVE 8	1	PC.
420			253011-6	FLAT WASHER 6	1	PC.
421			252014-7	HEX. LOCK NUT M6-10	1	PC.
422			911113-1	PAN HEAD SCREW M4X10	2	PC.
425			257771-2	SLEEVE 8	1	PC.
426			941201-0	FLAT WASHER 8	1	PC.
427			252014-7	HEX. LOCK NUT M6-10	1	PC.
428			911113-1	PAN HEAD SCREW M4X10	2	PC.
429			421818-0	RUBBER CAP	1	PC.
430			931302-2	HEX. NUT M6	1	PC.
431			941151-9	FLAT WASHER 6	1	PC.
432			345942-4	TOP GUARD PLATE	1	PC.
433			421818-0	RUBBER CAP	1	PC.
434			911113-1	PAN HEAD SCREW M4X10	2	PC.
435			941151-9	FLAT WASHER 6	1	PC.
436			921361-4	HEX. BOLT M6X40	1	PC.
437	2		233589-5	* TORSION SPRING 17	1	PC.
438			331825-4	RING 8	1	PC.
439			345939-3	FINGER	1	PC.
440			331834-3	SLEEVE 6	1	PC.
441			345939-3	FINGER	1	PC.
442			331825-4	RING 8	1	PC.
443	2		233588-7	* TORSION SPRING 17	1	PC.
500			911233-1	PAN HEAD SCREW M5X20(FOR ITEM A12)	1	PC.
600			654164-8	INSULATED RECEPTACLE 2-250A	3	PC.
601			654558-7	INSULATED CONNECTOR	3	PC.
C01			849399-6	CARTON	1	PC.

Item N	Type	Sub	Part No	Description	Qty	Unit
C02			849400-7	CARTON INSERT	1	PC.
<u>ACCESSORIES</u>						
A01			257060-5	ADAPTOR RING 1"X5.8"	1	PC.
A02			416772-1	PUSH STICK	1	PC.
A03			781038-1	WRENCH 19	1	PC.
A04			782024-5	WRENCH 13-22	1	PC.
A05			783224-0	HEX. WRENCH 5	1	PC.
A06			A-94948	10" C.T. SAW BLADE 32T(5/8")	1	PC.
		INC.		Item No. 211,212		
A07	1		125279-3	CENTER COVER ASS'Y	1	PC.
	2		126901-5	CENTER COVER ASS'Y	1	PC.
A07A	Opt.		125357-9	CENTER COVER ASS'Y, FOR DADOING	1	PC.
		INC.		Item No. 211A,212		
A08			194086-5	LEFT TABLE SET	1	PC.
		INC.	317879-5	SLIDE ROD HOLDER	2	PC.
		INC.	922221-3	HEX. SOCKET HEAD BOLT M5X16	4	PC.
		INC.	324565-1	LEFT ROD	2	PC.
		INC.	345538-1	LEFT TABLE	1	PC.
		INC.	265740-9	SCREW M5X15	2	PC.
		INC.	931502-4	HEX. NUT M10	2	PC.
		INC.	961016-9	STOP RING E-10	2	PC.
		INC.	783222-4	HEX. WRENCH 4	1	PC.
A09			194087-3	REAR TABLE SET	1	PC.
		INC.	265740-9	SCREW M5X15	2	PC.
		INC.	317879-5	SLIDE ROD HOLDER	2	PC.
		INC.	324564-3	REAR ROD	2	PC.
		INC.	345537-3	REAR TABLE	1	PC.
		INC.	922221-3	HEX. SOCKET HEAD BOLT M5X16	4	PC.
		INC.	931502-4	HEX. NUT M10	2	PC.
		INC.	961016-9	STOP RING E-10	2	PC.
		INC.	783222-4	HEX. WRENCH 4	1	PC.
A10			194093-8	STAND SET (SEE 194093-8 PARTS BREAKDOWN)	1	PC.
A11			194241-9	SLIDING GUIDE SET	1	PC.
A12			419093-0	JOINT(SCREW, USE ITEM 500)	1	PC.
A13			122838-4	ANGLE RULE ASS'Y	1	PC.
		INC.		Item No. 250-258,303,306,308,309	1	PC.
A14			122740-1	RULER ASS'Y	1	PC.
		INC.		Item No. 259,260,263-266, 268-302		

SERVICE CHANGES

1. Changes of Hex Socket Head Bolt and Elimination of Flat Washer 4

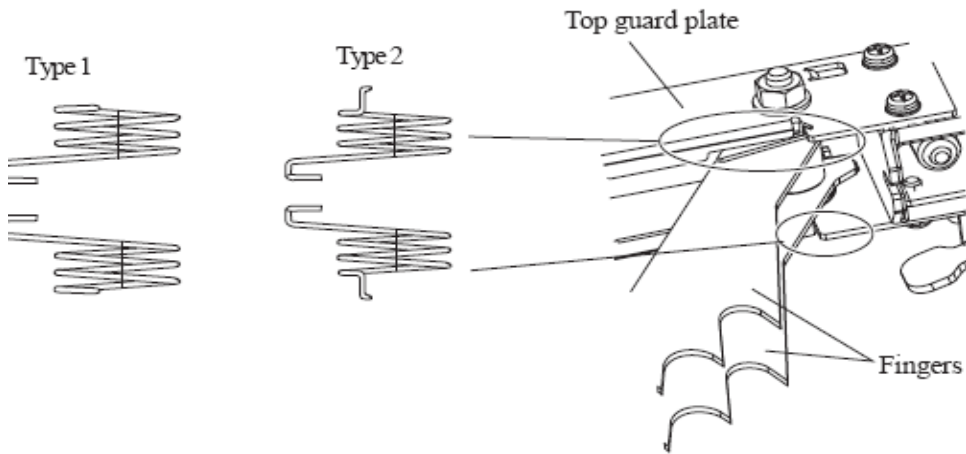
Item No.	Description	Type1	Type2
15	H.S.H.Bolt	922107-1	911113-1
14	Flat Washer 4	941052-1	-----

Above parts are completely interchangeable as a set.

2. Changes of Torsion Spring 17 to improve the productivity.

Item No.	Description	Type1	Type2
443	Torsion Spring 17	231541-7	233588-7
437	Torsion Spring 17	231542-5	233589-5

Above parts are completely interchangeable as a set.



3. Changes of Brush Holder

(TI#A1883)

Item No.	Description	Type1	Type2
33 INC.	Brush Holder 6.5-13.5	643660-1	643653-8

Type 1

Type 2

