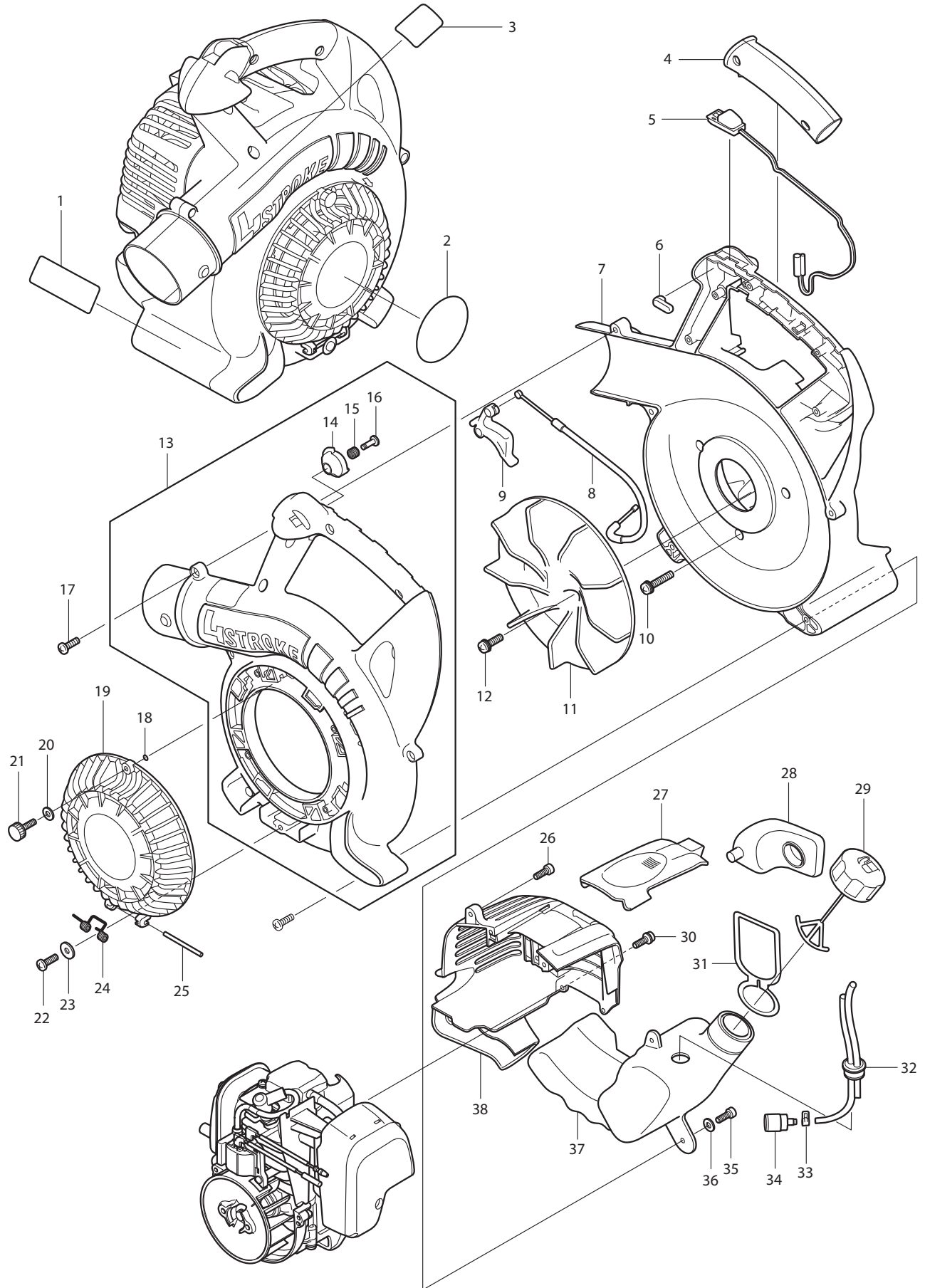
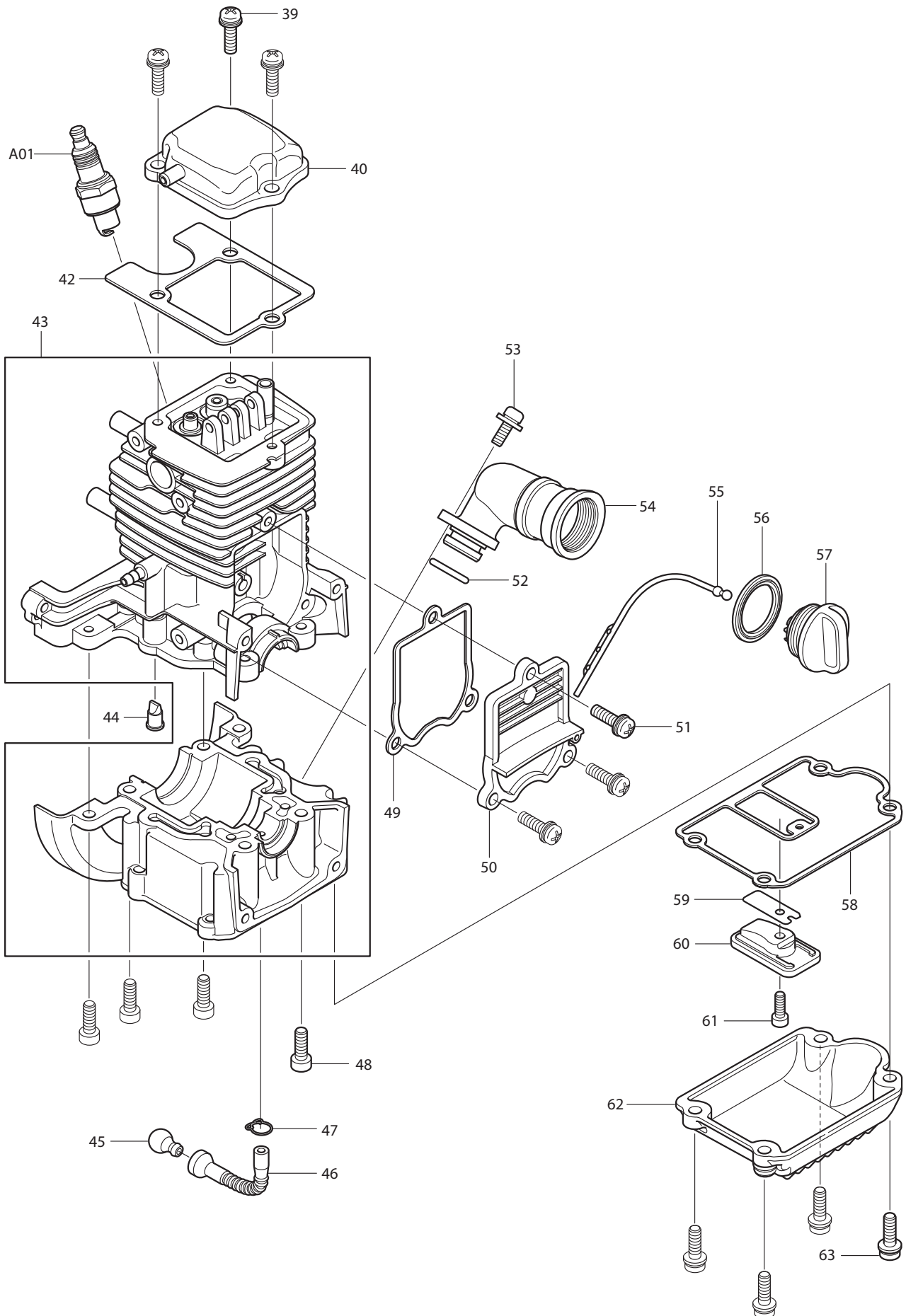
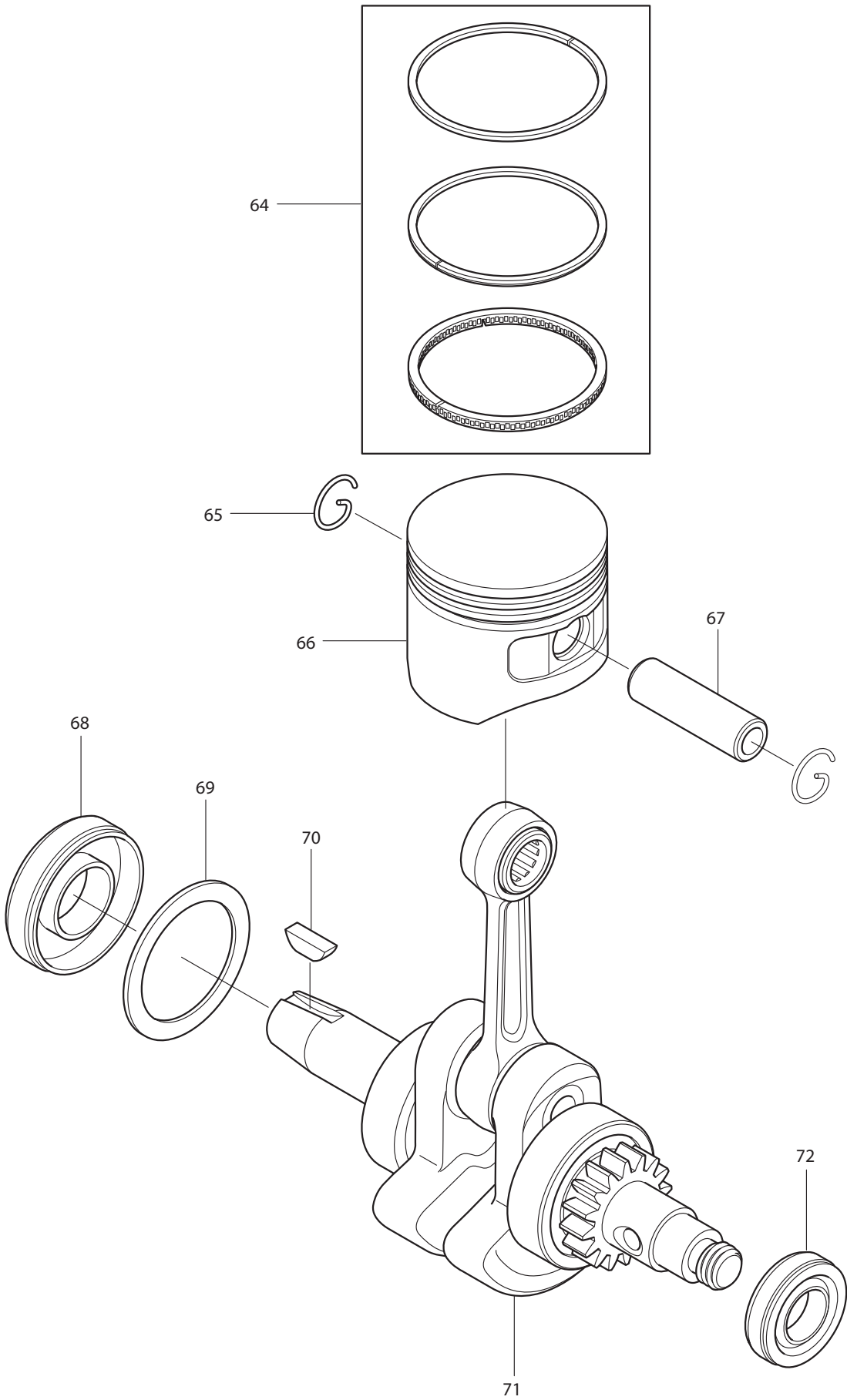


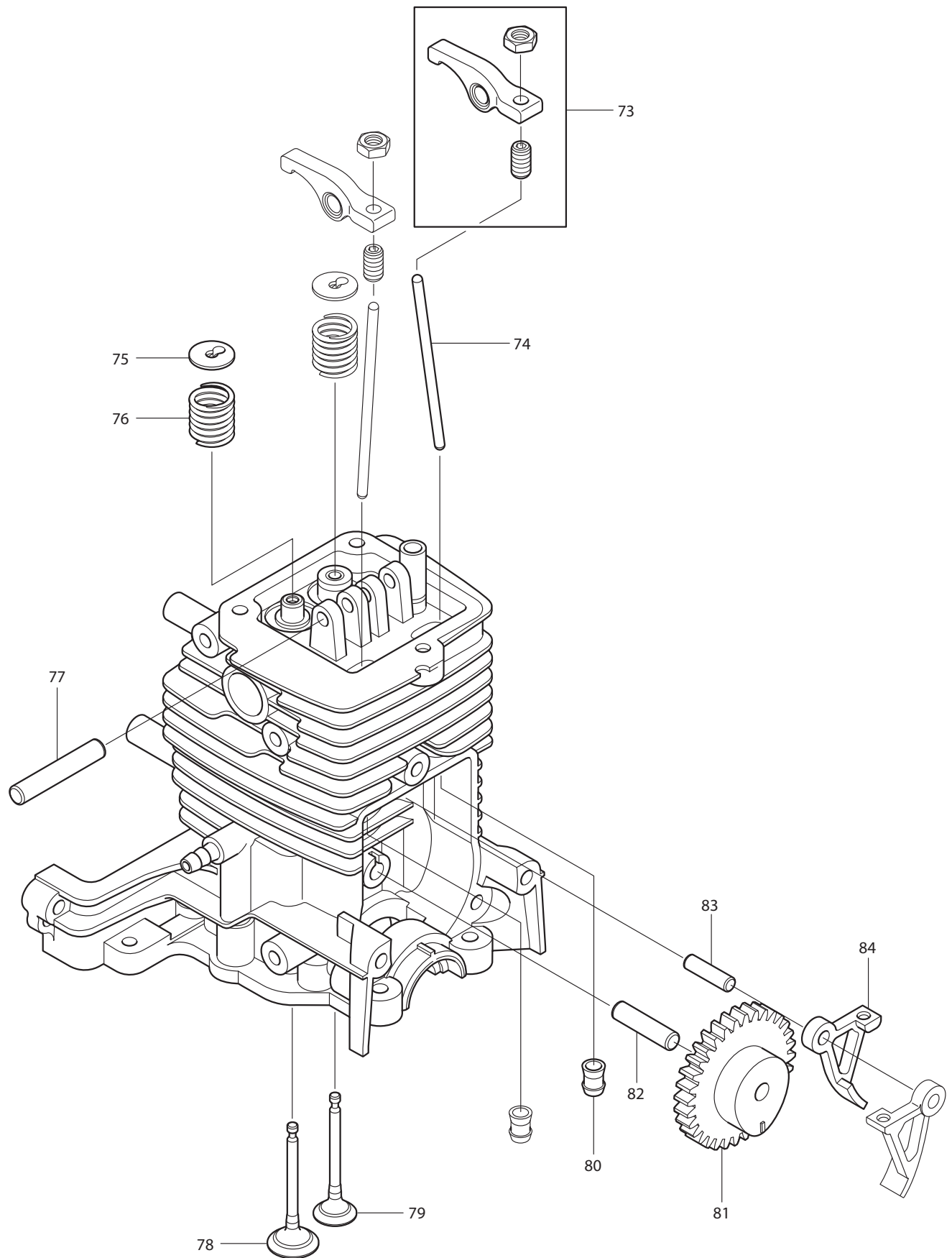


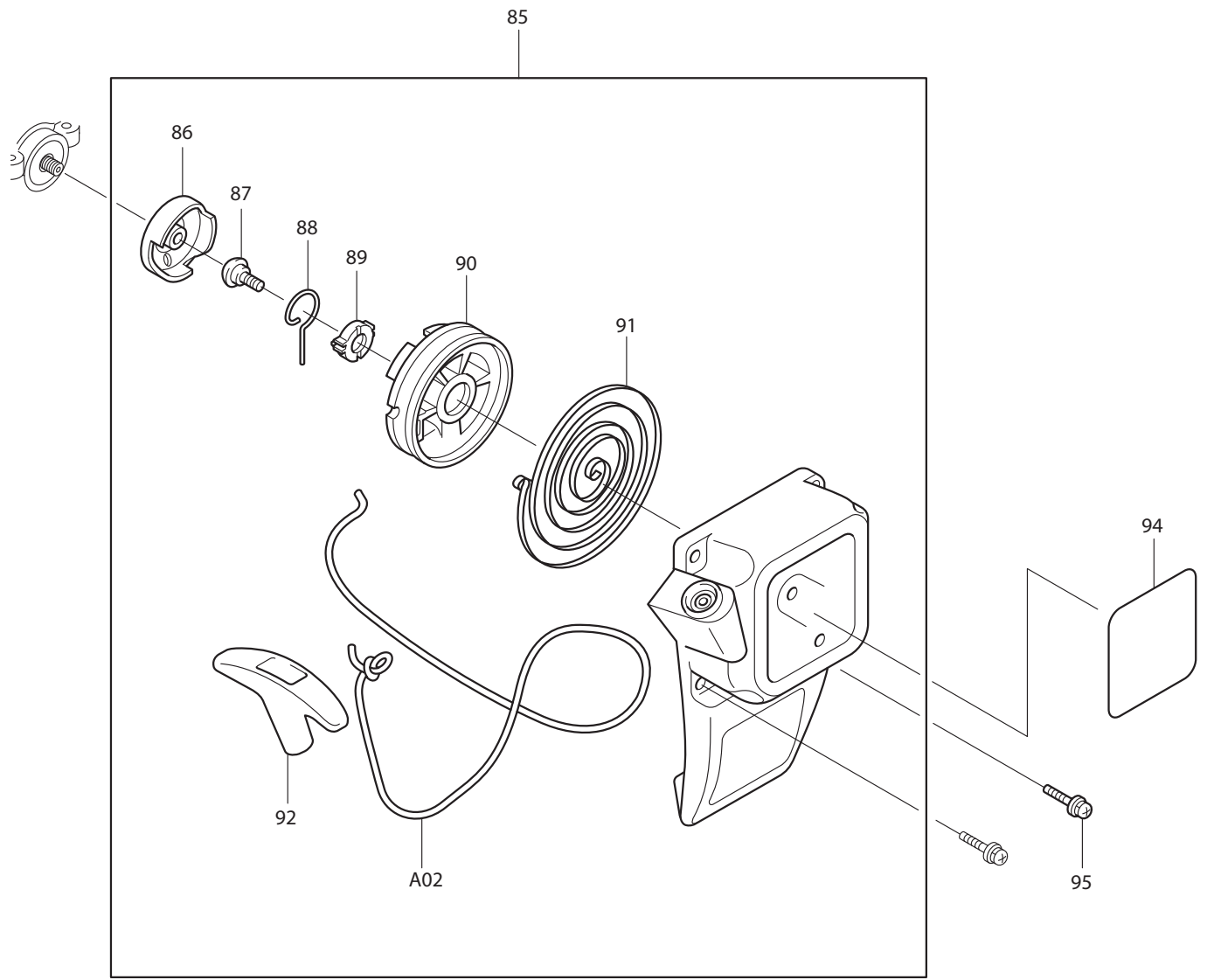
09 - 2010
BHX2500 / BHX2500CA
24.5CC 4-STROKE BLOWER

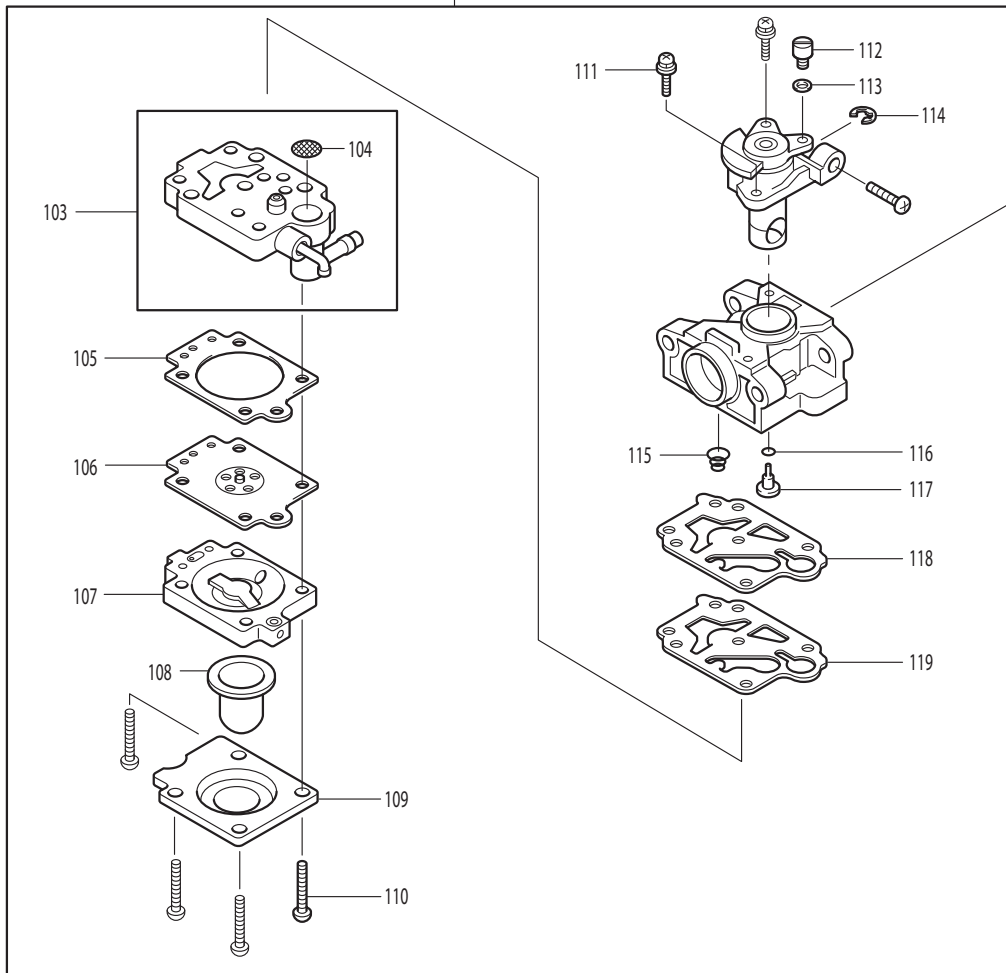
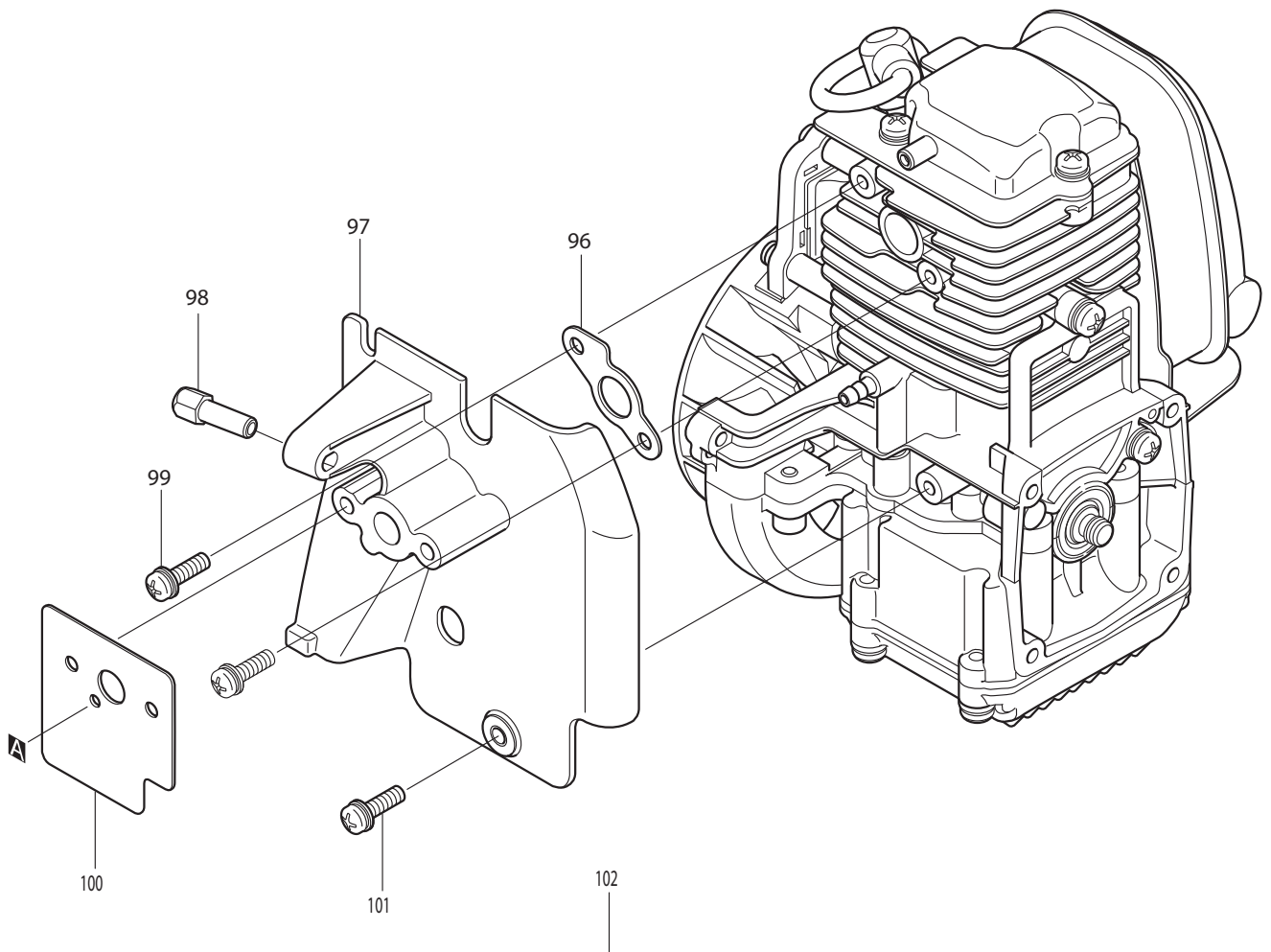


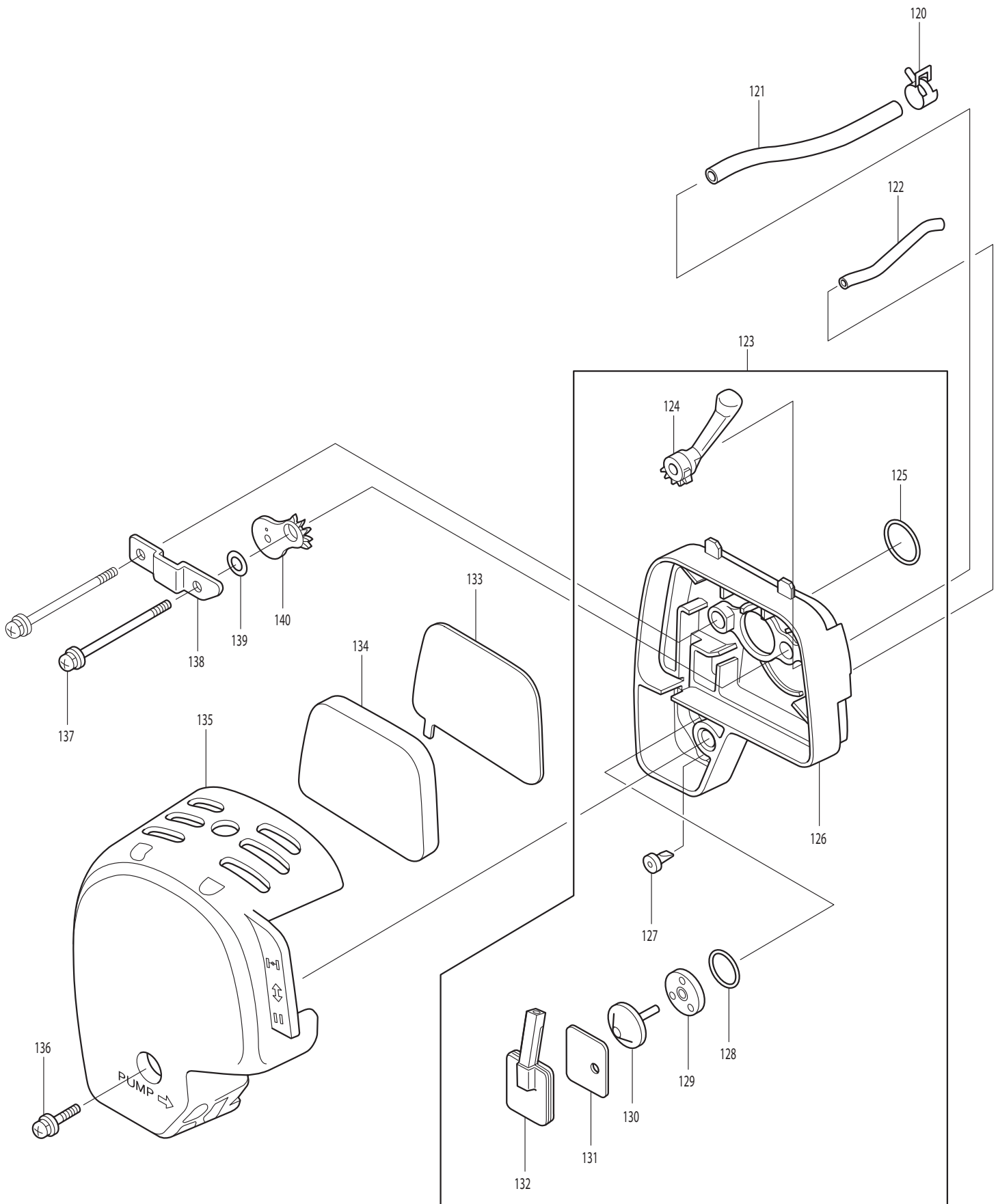


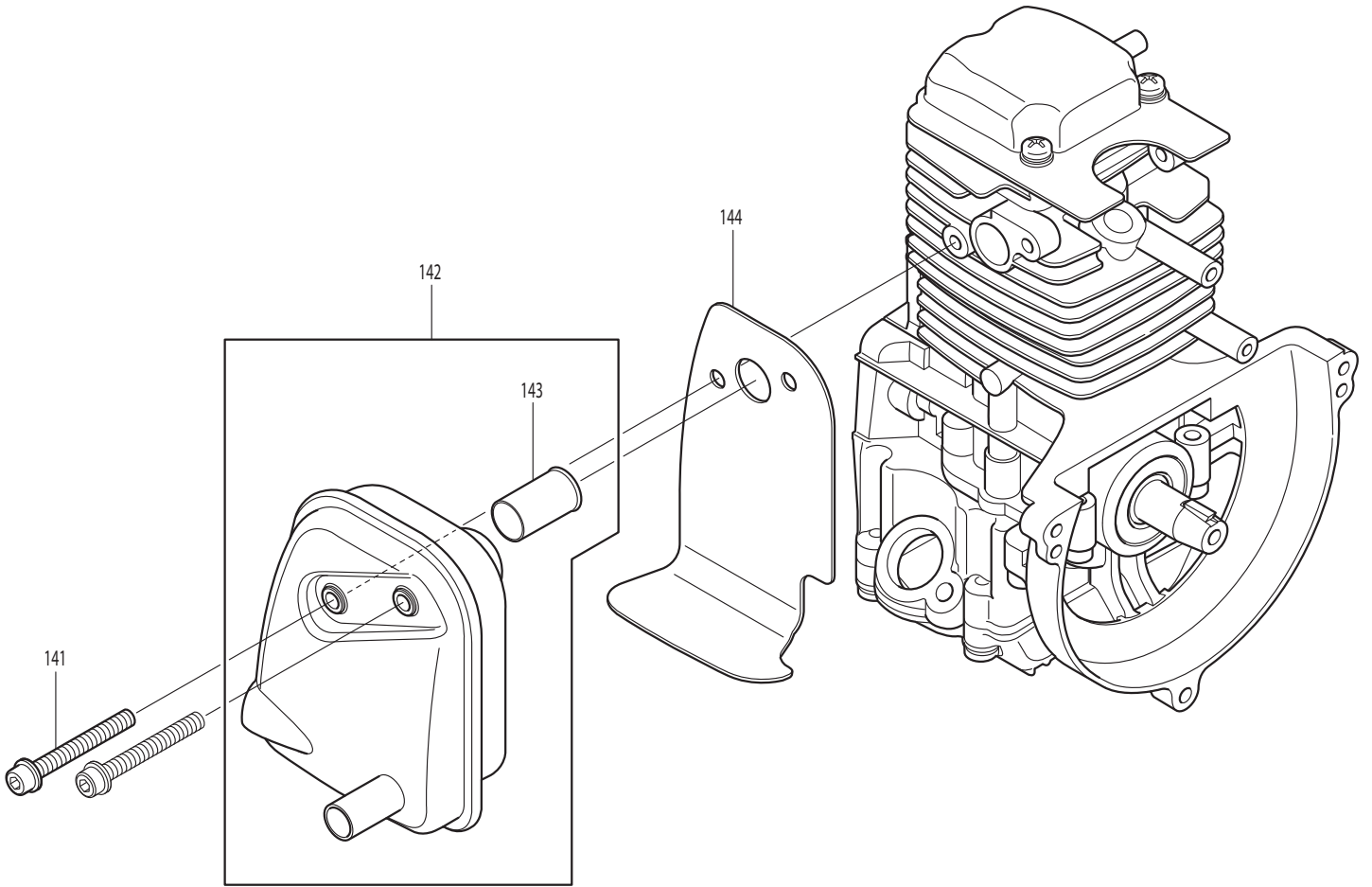


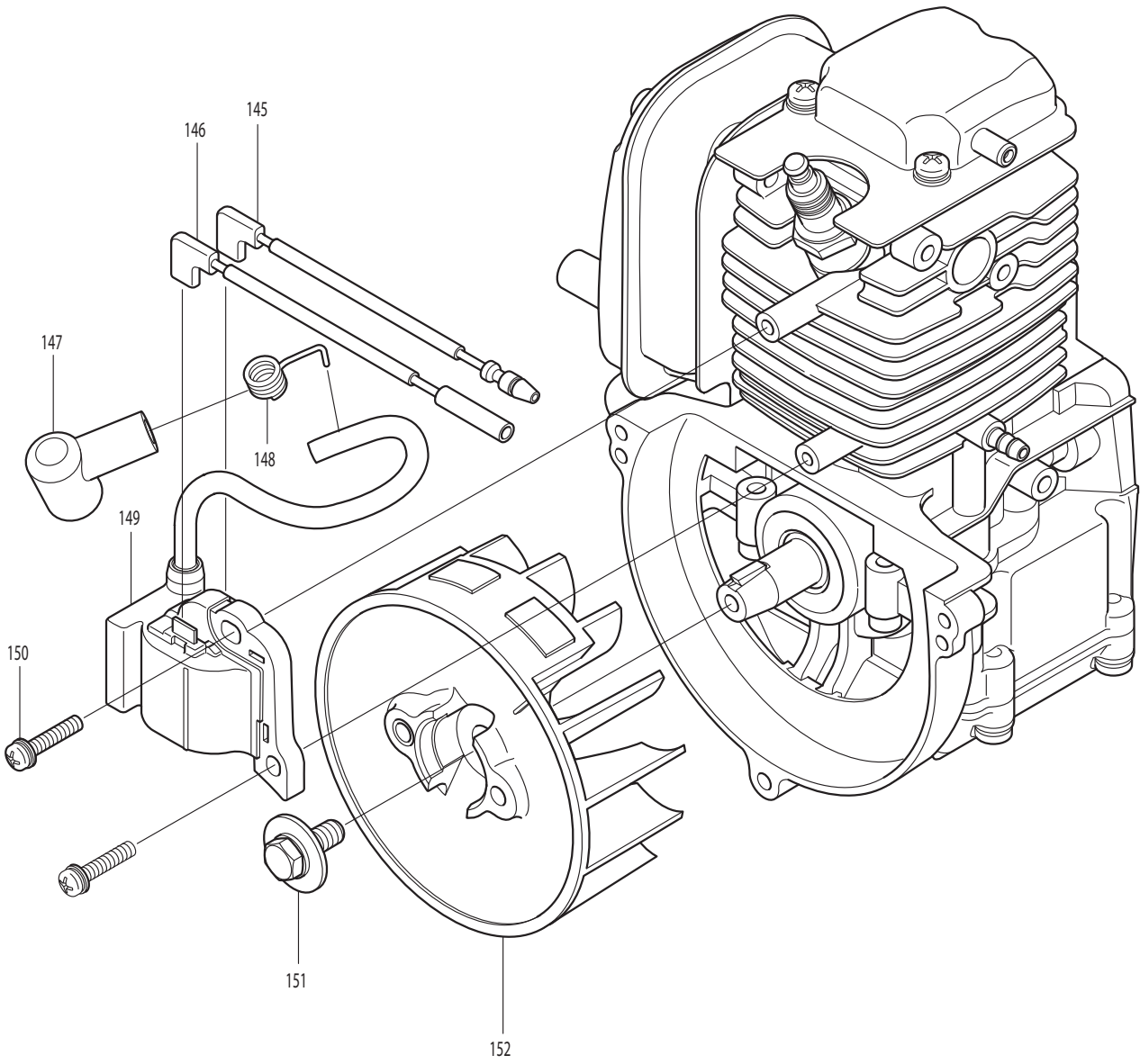


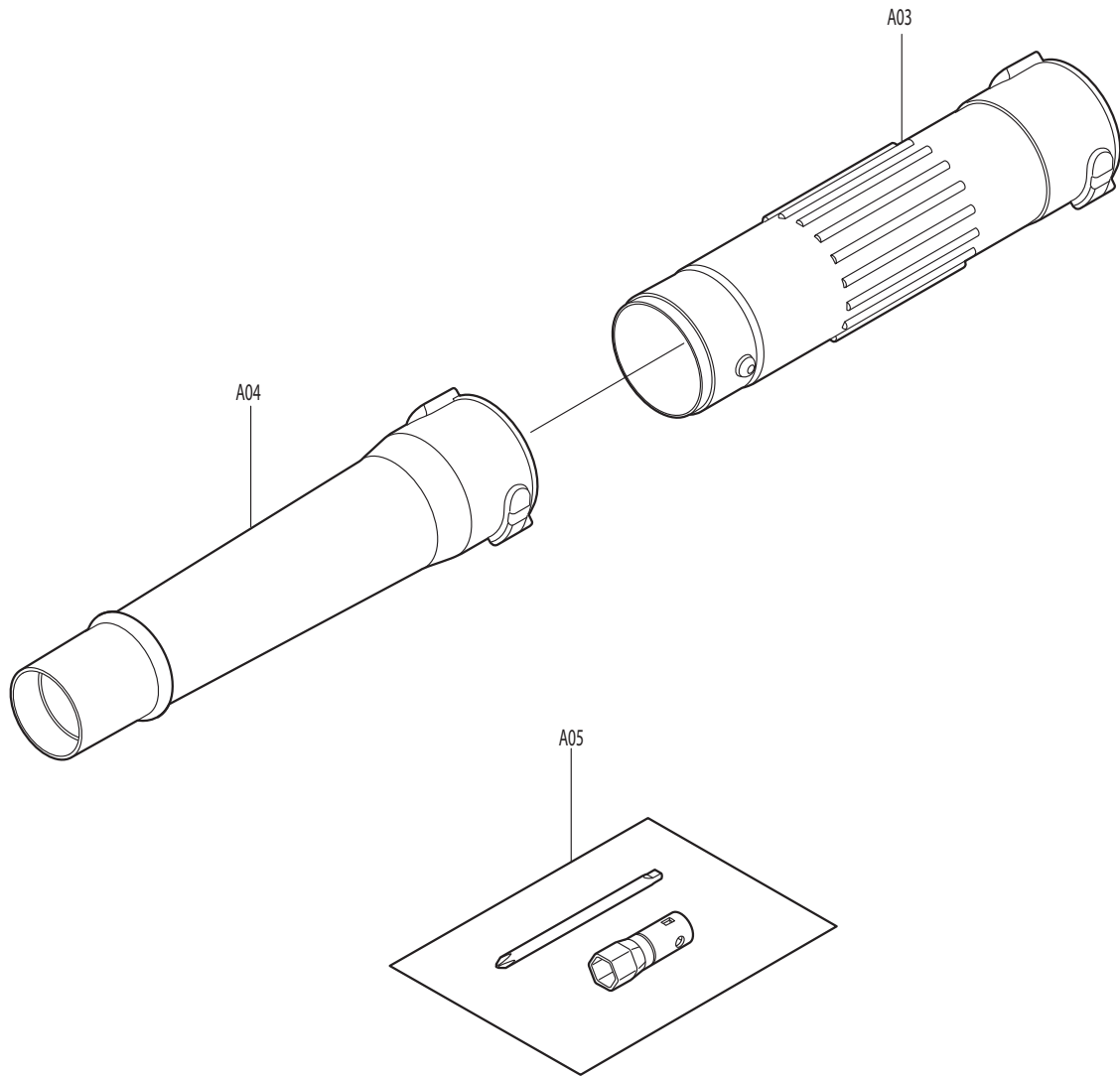












Item No	Type	Sub	Part No.	Description	Qty	Unit
001	3		892460-8	CAUTION LABEL	1	PC.
002	1		6659500200	PROTECTOR LABEL	1	PC.
	2		808139-1	MODEL NO.LABEL	1	PC.
003	2		810450-9	CAUTION LABEL	1	PC.
004	2		273665-3	GRIP	1	PC.
005	2		638640-0	SWITCH COMPLETE	1	PC.
006	2		424182-8	FRICTION RUBBER	1	PC.
007	3		455202-7	* VOLUTE CASE R	1	PC.
008	2		168518-8	CONTROL CABLE	1	PC.
009	3		450960-0	* THROTTLE LEVER	1	PC.
	4		455203-5	* THROTTLE LEVER	1	PC.
010	3		922253-0	PAN HEAD SCREW M5X30	3	PC.
011	2		240113-7	FAN 180	1	PC.
012	2		265584-7	HEX SOCKET HEAD BOLT M6x20 WR	2	PC.
013	4		126899-6	* VOLUTE CASE L ASSY	1	PC.
		INC.	253874-0	* FLAT WASHER 4 (Added)		
		INC.		* Item No.14-16		
014	3		455882-9	* CRUISE LEVER	1	PC.
015	1		6655500200	* SPRING	1	PC.
	3		234362-6	* COMPRESSION SPRING 7	1	PC.
016	1		0150049840	* TAPPING SCREW 4X16	1	PC.
	3		266951-9	* TAPPING SCREW 4X16	1	PC.
017	2		265878-0	TAPPING SCREW BT 5X16	10	PC.
019	5		6601502705	PROTECTOR	1	PC.
021	2		265782-3	* THUMB SCREW M4	1	PC.
	3		911148-2	* SCREW M4X25 W/WASHER	1	PC.
022	2		265878-0	TAPPING SCREW BT 5X16	1	PC.
023	2		267394-8	FLAT WASHER 5	1	PC.
024	2		233536-6	TORSION SPRING 5	1	PC.
025	2		268230-1	ROD 4	1	PC.
026	2		265878-0	TAPPING SCREW BT 5X16	3	PC.
027	2		450964-2	PLUG COVER	1	PC.
028	3		424395-1	OIL GUARD	1	PC.
029	2		125472-9	FUEL TANK CAP ASSEMBLY	1	PC.
030	3		911526-6	PAN HEAD SCREW M4X16 W/WRM	2	PC.
031	2		810455-9	CAUTION PLATE	1	PC.
032	3		168772-4	* TUBE COMPLETE	1	PC.
033	2		345920-4	HOSE CLAMP	1	PC.
034	3		163447-0	FUEL FILTER	1	PC.
035	2		265878-0	TAPPING SCREW BT 5X16	3	PC.
036	3		267394-8	FLAT WASHER 5	3	PC.
037	3		450987-0	* FUEL TANK	1	PC.
	4		454006-4	* FUEL TANK	1	PC.
	5		123674-1	* FUEL TANK	1	PC.
		INC.		* Item No. 29, 32-34	1	PC.
038	2		452630-7	ENGINE COVER	1	PC.
039	1		004-36051-60	SCREW ASS'Y M5X16 (WSW)	3	PC.
	3		922223-9	H.S.H.BOLT M5X16 WITH WR	3	PC.
040	2		140023-7	ROCKER COVER COMPLETE	1	PC.
	3		140B46-7	ROCKER COVER COMPLETE	1	PC.
042	2		162275-0	ROCKER COVER GASKET	1	PC.
043	1		5921011000	* CYLINDER BLOCK SET	1	PC.
	3		5921011001	* CYLINDER BLOCK SET (Remains Available)	1	PC.
	5		125914-3	* CYLINDER BLOCK SET	1	PC.
044	2		424201-0	CHECK VALVE	2	PC.
045	2		325666-8	OIL WEIGHT	1	PC.

Item No	Type	Sub	Part No.	Description	Qty	Unit
046	2		424202-8	OIL TUBE	1	PC.
047	2		282020-8	HOSE CLAMP	1	PC.
048	2		922217-4	HEX. SOCKET HEAD BOLT M5X14	8	PC.
049	2		162274-2	CAM GEAR COVER GASKET	1	PC.
050	2		318443-5	CAM GEAR COVER	1	PC.
051	3		922217-4	HEX. SOCKET HEAD BOLT M5X14	3	PC.
052	2		213591-4	O RING 14	1	PC.
053	3		922213-2	H.S.H.BOLT M5X12 WITH WR	1	PC.
054	2		140813-8	OIL PIPE COMPLETE	1	PC.
055	2		452610-3	OIL GAUGE	1	PC.
056	2		424343-0	GASKET	1	PC.
057	2		452047-4	OIL CAP	1	PC.
058	2		162276-8	CASE GASKET	1	PC.
059	2		346083-9	LEAD VALVE	1	PC.
060	2		318440-1	RETAINER PLATE	1	PC.
061	2		922112-8	HEX. SOCKET HEAD BOLT M4X10	1	PC.
062	2		318442-7	OIL CASE	1	PC.
063	1		0043605180	SCREW ASS'Y M5X18 W/WR	4	PC.
063	3		922217-4	HEX. SOCKET HEAD BOLT M5X14	4	PC.
064	3		196595-0	PISTON RING SET	1	SET
065	2		233976-8	CLIP	2	PC.
066	3		197453-3	PISTON SET	1	PC.
		INC.	318441-9	PISTON	1	PC.
		INC.		Item No.64, 65		
067	2		257781-9	PISTON PIN	1	PC.
068	4		213147-3	OIL SEAL 12	1	PC.
069	2		267400-9	FLAT WASHER 23	1	PC.
070	2		254040-2	WOODRUFF KEY 3	1	
071	3		135374-1	CRANKSHAFT ASSEMBLY	1	PC.
	4		135539-5	CRANKSHAFT ASSEMBLY	1	PC.
072	4		213148-1	OIL SEAL 10	1	PC.
073	2		125554-7	ROCKER ARM ASSEMBLY	2	PC.
074	2		256865-0	ROD 2.5	2	PC.
075	2		325668-4	SPRING RETAINER	2	PC.
076	2		234108-0	COMPRESSION SPRING 9	2	PC.
077	2		256200-2	PIN 5	1	PC.
078	3		326367-1	INTAKE VALVE	1	PC.
079	3		326366-3	EXHAUST VALVE	1	PC.
080	2		424200-2	SPACER	2	PC.
081	2		125552-1	CAM GEAR ASSEMBLY	1	PC.
082	2		268238-5	PIN 5	1	PC.
083	2		268239-3	PIN 4	1	PC.
084	2		313169-4	CAM LIFTER	2	PC.
085	2		125917-7	STARTER COVER ASSY	1	PC.
		INC.		Item No.86-93		
086	2		168483-1	PULLEY	1	PC.
087	2		266585-8	TAPPING SCREW 5X12	1	PC.
088	2		325923-4	SWING ARM	1	PC.
089	2		451938-6	COLLAR	1	PC.
090	2		451937-8	REEL	1	PC.
091	2		232258-5	SPIRAL SPRING	1	PC.
092	2		424319-7	STARTER KNOB	1	PC.
094	3		819L94-4	MAKITA LOGO LABEL	1	PC.
095	3		911526-6	PAN HEAD SCREW M4X16 W/WRM	2	PC.
096	1		5923501801	* INSULATOR GASKET (Remain available)	1	PC.
	3		413120-5	* INSULATOR GASKET	1	PC.
097	1		5923013000	* INSULATOR COMPL	1	PC.

Item No	Type	Sub	Part No.	Description	Qty	Unit
			125916-9	* INSULATOR ASSY	1	PC.
098	2		325934-9	ADJUST SCREW	1	PC.
099	1		0043605180	* SCREW ASS'Y M5X18 (Remain Available)	2	PC.
			922228-9	* H.S.H.BOLT M5X18 WITH WR	2	PC.
100	2		413138-6	CARBURETOR GASKET	1	
101	3		922213-2	* H.S.H.BOLT M5X12 WITH WR	1	PC.
102	3		168641-9	CARBURETOR	1	PC.
102	3	INC.		Item No.103,105-119		
103	1		5926002060	PUMP BODY ASS'Y	1	PC.
		INC.		Item No.104		
		3	140808-1	BODY PUMP ASSY	1	PC.
		INC.		Item No.104		
104	2		352010-6	INLET SCREEN	1	PC.
104	3		WJ00014070	INLET SCREEN	1	PC.
105	2		442154-1	METERING DIAPHRAGM GASKET	1	PC.
106	3		168620-7	METERING DIAPHRAGM	1	PC.
107	2		140438-8	AIR PURGE BODY	1	PC.
108	2		424314-7	PRIMER PUMP	1	PC.
109	2		346270-0	PRIMER PUMP COVER	1	PC.
110	2		266582-4	TAPPING SCREW 3X24	4	PC.
111	2		266581-6	PAN HEAD SCREW M3X8 WITH W	2	PC.
		3	WJ00096364	SCREW M3X8 WITH WASHER	2	PC.
112	2		325922-6	SWIVEL	1	PC.
113	2		413140-9	WASHER	1	PC.
114	2		257964-1	STOP RING E-3	1	PC.
115	2		234183-6	CONICAL COMPRESSION SPRING 5-9	1	PC.
116	2		213538-8	O RING 2	1	PC.
117	3		326027-5	JET	1	PC.
118	2		442155-9	PUMP GASKET	1	PC.
119	3		WJ00009599	PUMP DIAPHRAGM	1	PC.
120	2		345918-1	HOSE CLAMP	1	PC.
121	2		422041-0	BREATHER PIPE	1	PC.
122	2		422070-3	PIPE	1	PC.
123	3		123845-0	CLEANER PLATE ASSEMBLY	1	PC.
		INC.		Item No. 124-132		
124	3		457241-3	CHOKE LEVER	1	PC.
125	3		213094-8	O RING 15	1	PC.
126	3		455407-9	AIR CLEANER PLATE	1	PC.
127	2		424316-3	CHECK VALVE	1	PC.
		3	424938-9	CHECK VALVE	1	PC.
128	3		213093-0	O RING 14	1	PC.
129	3		457240-5	CHECK VALVE PLATE	1	PC.
130	3		424937-1	CHECK VALVE	1	PC.
131	3		161572-1	SEPARATOR GASKET	1	PC.
132	3		161571-3	SEPARATOR PLATE	1	PC.
133	2		443140-5	AIR CLEANER ELEMENT	1	PC.
134	2		443141-3	AIR CLEANER ELEMENT	1	PC.
135	2		450561-4	AIR CLEANER COVER	1	PC.
136	3		911218-7	PAN HEAD SCREW M5X14	1	PC.
137	2		265188-5	+PAN HEAD SCREW M5X68	2	PC.
138	2		345919-9	PLATE	1	PC.
139	2		423376-2	GASKET	1	PC.
140	2		450560-6	CHOKE PLATE	1	PC.
141	2		266440-4	HEX SOCKET HEAD BOLT M5X40	2	PC.
142	3		168643-5	* EXHAUST MUFFLER	1	PC.
		INC.		* Item No.143		

Item No	Type	Sub	Part No.	Description	Qty	Unit
143	3		324980-9	* SPARK ARRESTER	1	PC.
144	2		168593-4	MUFFLER GASKET	1	PC.
145	3		632F44-4	* LEAD WIRE	1	PC.
146	2		638710-5	* LEAD WIRE	1	PC.
	3		632F45-2	* LEAD WIRE	1	PC.
147	2		424105-6	PLUG CAP	1	PC.
148	2		324891-8	PLUG CAP SPRING	1	PC.
149	4		168816-0	* IGNITION COIL	1	PC.
150	3		922138-0	H.S.H.BOLT M4X20 WITH WR	2	PC.
151	2		265577-4	HEX HEAD BOLT M6X16	1	PC.
152	2		318702-7	FLYWHEEL	1	PC.
152	3		319205-4	FLYWHEEL	1	PC.
156	2		324961-3	* INTAKE PIPE	1	PC.
157	2		213078-6	* O RING 10	1	PC.
C01			872132-1	CARTON F/BHX2500CA	1	PC.
E02			452605-6	* INNER COVER (Added)	1	PC.
E03	3		265995-6	* TAP SCREW 4X18	2	PC.
E04			941051-3	* FLAT WASHER 4 (Added)	2	PC.
E05			345920-4	* HOSE CLAMP (Added)	1	PC.
E06			332138-6	* PIPE (Added)	1	PC.

ACCESSOREIS

A02	2		444019-3	STARTER ROPE	1	PC.
A03	2		6659504000	PIPE	1	PC.
	5		125729-8	NOZZLE ASSEMBLY	1	PC.
		INC.	140352-8	HOSE CLAMP	1	PC.
A04	3		450966-8	NOZZLE END	1	PC.
A05	2		194717-6	BOX WRENCH SET	1	PC.
A06	2		454187-4	* VACUUM PIPE 1	1	PC.
	3		455462-1	* VACUUM PIPE 1	1	PC.
A07	1		454188-2	* VACUUM PIPE 2 (STRAIGHT)	1	PC.
A07	2		455463-9	* VACUUM PIPE 2 (STRAIGHT)	1	PC.
A08	2		454241-4	* VACUUM PIPE 3 (N/L/A)	1	PC.
A09			450966-8	NOZZLE END	1	PC.
A10			451753-8	NOZZLE END	1	PC.
A11	3		453720-9	ELBOW	1	PC.
A12	4		197234-5	VACUUM KIT WITH MAKITA LOGO	1	PC.
		INC.		Item No. A06, A07, A11, A13		
A13	2		166114-6	DUST BAG	1	PC.
	3		166139-0	DUST BAG	1	PC.

SERVICE CHANGES

1. Changes on Cylinder Block Set, Insulator Complete, Insulator Gasket, etc.

(T/I# Y05062, Y05308)

(T/I#Y05396)

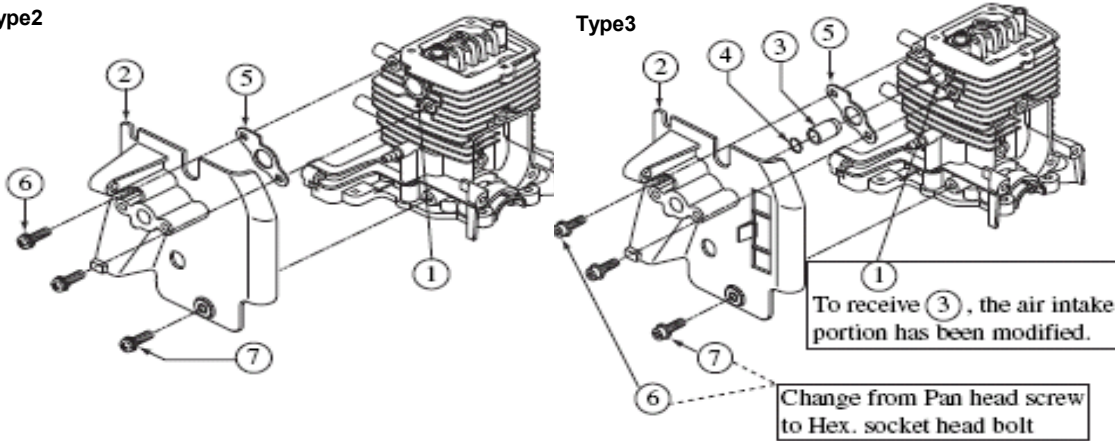
(T/I#88468, Y05865)

Item No.	Description	Type 1	Type 2	Type 3	Type 4	Fig. No.
43	Cylinder Block Set	5921011000	5921011001	5921011002	125914-3	1
97	Insulator Complete	5923013000		5923018000	125916-9	2
156	Intake Pipe	-----		5923504600	324961-3	3
157	O Ring	-----		0062610101	213078-6	4
96	Insulator Gasket	5923501801		5923504700	413120-5	5
99	Scrwe Assy M5x18	0043605180		0119059870	922228-9	6
101	Scrwe Assy M5x14	0043605140		0119059780	922213-2	7

Type 2 and Type 3 are completely interchangeable as a set. Type 2 parts remain available.

Type2

Type3



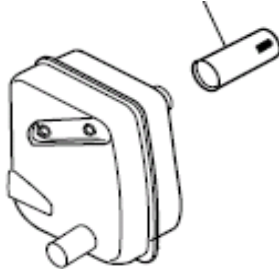
2. Changes on Exhaust Muffler

(T/I# Y04664)

(T/I#Y05865)

Item No.	Description	Type 1	Type 2	Type 3
142	Exhaust Muffler	5923014000	5923014001	168643-5
143	Spark Arrester	5923008010	5923008011	324980-9

Item 143 Type 1
(component of Item 142 Type1)



Item 143 Type 2 & 3
(component of Item 142 Type2)



3. Changes on TUBE, FUEL TANK

(T/I# Y05865)

(T/I# Y06188)

(T/I# 96710)

(T/I#B2487)

Item No.	Description	Type 1	Type 2	Type 3	Type 4	Type 5
32	TUBE / TUBE COM.	0851189950	158911-4		168772-4	
37	FUEL TANK	6653500000	450988-8	450987-0	454006-4	123674-1 (Incl. Item No. 29, 32-34)

Type 3 and Type 4 are completely interchangeable as a set.

Type 4 - 5 parts are fluorinated.

Type 1 - 3 Parts can only used for the model manufactured before 2011.

SERVICE CHANGES

4. Changes on Thumb screw, Gasket and O Ring, Addition of Inner Cover, Hose clamp, etc.

(TI#A5562)

Item No.	Description	Type 1	Type 2	Fig. No.
18	O RING 3	213022-3	---	1
21	SCREW M4	265782-3	911148-2	
20	GASKET	424180-2	---	
E02	INNER COVER	---	452605-6	2
E03	TAP SCREW 4X18	---	265995-6	
E04	FLAT WASHER 4	---	941051-3	
E05	HOSE CLAMP	---	345920-4	3
E06	PIPE	---	332138-6	

Fig. 1



Fig. 2

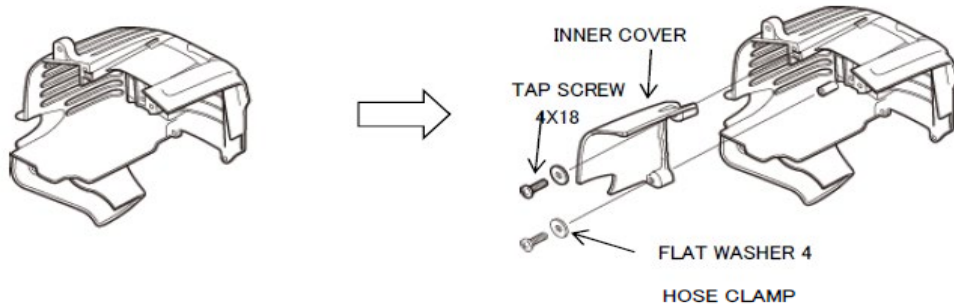
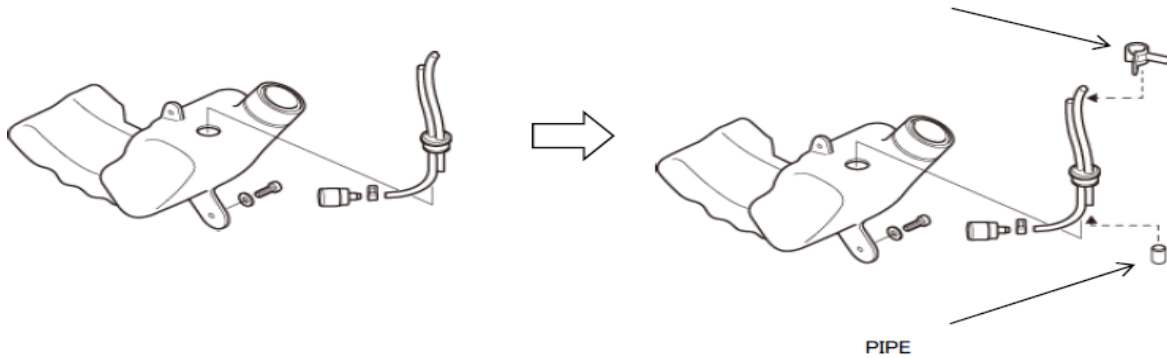


Fig. 3



5. Changes on Vacuum pipes

(TI#Y06152)

(TI#A8034)

Item No.	Description	Type 1	Type 2	Type 3
A06	VACUUM PIPE 1	6609503602	454187-4	455462-1
A07	VACUUM PIPE 2		454188-2	455463-9
A08	VACUUM PIPE 3	6609503801	454241-4	-----

Type 2 and Type 3 are completely interchangeable as a set.

Type 2

Type 3



SERVICE CHANGES

6. Changes on Volute Cases, Ignition Coil and Lead wire.

(T/I#Y05865)

(TI#B0024, B1493)

(T/I#C0985)

Item No.	Description	Type 1	Type 2	Type 3	Type 4
7	VOLUTE CASE R	6651014000	450958-7	455202-7	
9	THROTTLE LEVER	6655500301	450960-0	455203-5	
13	VOLUTE CASE L	6651010000	125533-5	123297-5	126899-6
14	CRUISE LEVER	6655500100	452216-7	455882-9	
15	COMPRESSION SPRING	6655500200	234314-7	234362-6	
16	TAPPING SCREW	0150049840	266870-9	266951-9	
145	Lead Wire	5927010000	638709-0	632F44-4	
146	Lead Wire	5927011000	638710-5	632F45-2	
149	Ignition Coil	5927012010 or 5927012011	168501-5	168816-0	

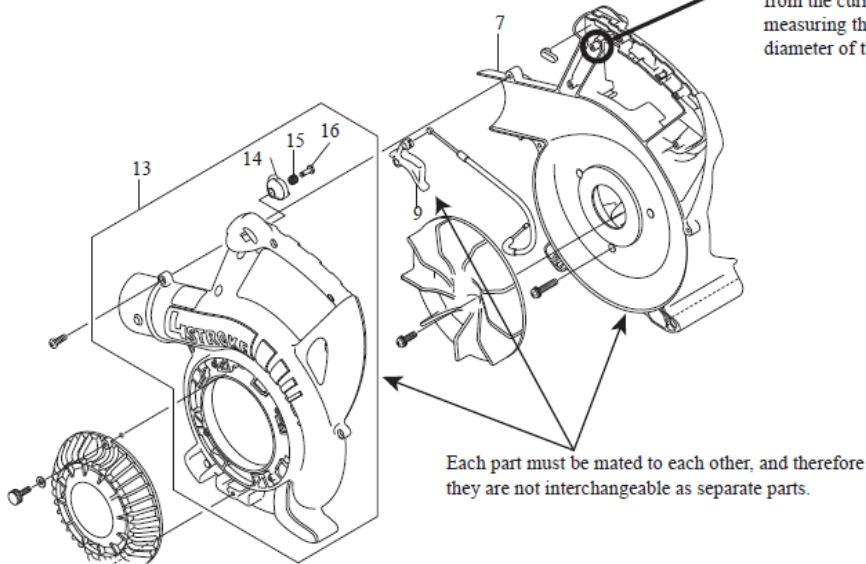
Component of
Item No. 13

Type 2 and Type 3 are completely interchangeable as a set.

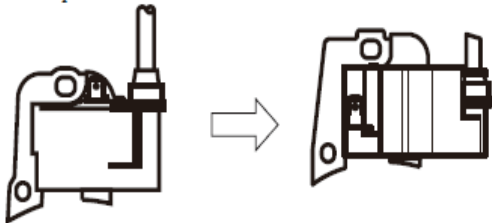
Type 3 Ignition Coil Implementation from serial No. 216052Y (February 2016 Production)

- the thickness of Volute case L complete (13) has been increased.
- the boss diameter of Volute case R (7) has been changed from 8mm to 10mm.
- Throttle lever (9) has been changed.
- The parts number of 4x16 Tapping screw (16), Compression spring 7 (15) and Cruise lever (14) has been changed.

Distinguish the new from the current by measuring the outer diameter of the boss.



*Ignition coil: Terminal positions to connect Lead unit are different.



*Lead wire: One of Terminal has been changed from Flag type to straight type.

