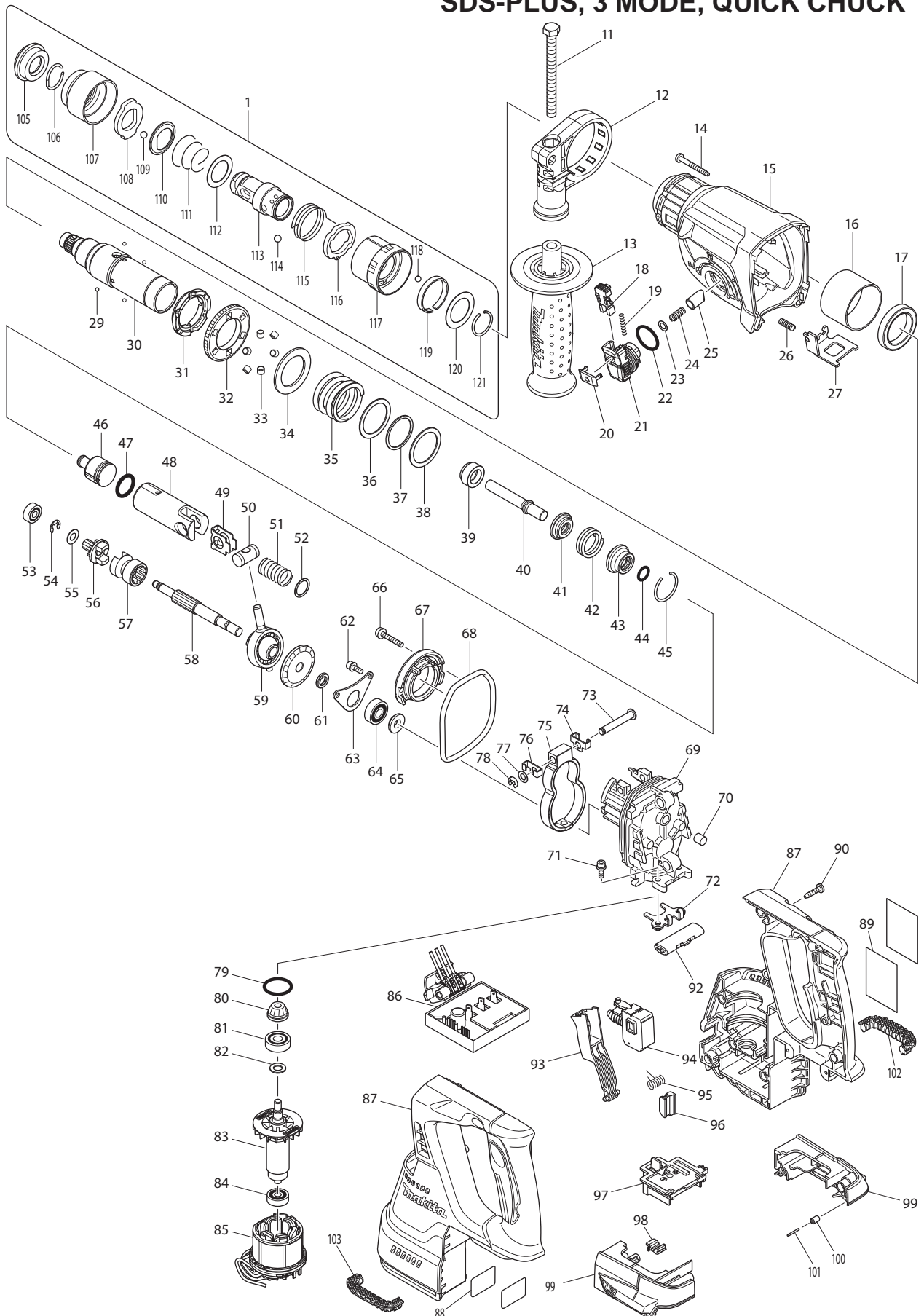




04 - 2014

DHR243Z

# 18V BRUSHLESS ROTARY HAMMER SDS-PLUS, 3 MODE, QUICK CHUCK



Item No	Type	Sub	Part No	Description	Qty	Unit
001			194080-7	TOOL HOLDER SET	1	PC.
		INC.		Item No. 105-121		
011			266745-2	HEX.BOLT M8X90	1	PC.
012			453129-5	GRIP BASE	1	PC.
013			158057-6	GRIP 36 COMPLETE	1	PC.
014			266351-3	TAPPING SCREW 4X35	4	PC.
015			141229-0	GEAR HOUSING COMPLETE	1	PC.
		INC.	213345-9	OIL SEAL 25	1	PC.
		INC.	890903-4	INDICATION LABEL	1	PC.
016			331890-3	CUP SLEEVE	1	PC.
017			211294-4	BALL BEARING 6806LLU	1	PC.
018			454112-5	LOCK BUTTON	1	PC.
019			234264-6	COMPRESSION SPRING 3	1	PC.
020			453131-8	CHANGE LEVER COVER	1	PC.
021			453125-3	CHANGE LEVER	1	PC.
022			213381-5	O RING 21	1	PC.
023			253308-3	THIN WASHER 6	1	PC.
024			234147-0	COMPRESSION SPRING 5	1	PC.
025	2		326850-8	* PUSH CORN	1	PC.
026			233360-7	COMPRESSION SPRING 4	1	PC.
027			346537-6	LOCK PLATE	1	PC.
029			216019-1	STEEL BALL 3	4	PC.
030			140266-1	TOOL HOLDERGUIDE COMPLETE	1	PC.
031	2		332139-4	* DRIVING FLANGE	1	PC.
032	2		227360-7	* SPUR GEAR 51	1	PC.
035			234148-8	COMPRESSION SPRING 31	1	PC.
036			267153-0	FLAT WASHER 30	1	PC.
037			257932-4	SPIRO LOCK WASHER 30	1	PC.
038			267153-0	FLAT WASHER 30	1	PC.
039			325783-4	SLEEVE 9B	1	PC.
040			325791-5	IMPACT BOLT B	1	PC.
041			325792-3	WASHER 10	1	PC.
042			234149-6	COMPRESSION SPRING 20	1	PC.
043			325793-1	O-RING CASE B	1	PC.
044			213073-6	O RING 9	1	PC.
045			233979-2	RING SPRING 28	1	PC.
046			326139-4	STRIKER	1	PC.
047			213258-4	O RING 17.5	1	PC.
048			310345-1	PISTON CYLINDER	1	PC.
049			346036-8	GUIDE PLATE	1	PC.
050			324215-8	PISTON JOINT	1	PC.
051			234098-7	COMPRESSION SPRING 14	1	PC.
052			267447-3	FLAT WASHER 14	1	PC.
053			211012-0	BALL BEARING 606ZZ	1	PC.
054			257336-0	STOP RING EXT U-6	1	PC.
055			253186-1	FLAT WASHER 7	1	PC.
056			227231-8	SPUR GEAR 10	1	PC.
057	2		326849-3	* CLUTCH CAM A	1	PC.
058			326140-9	CAM SHAFT	1	PC.
059			219020-5	SWASH BEARING 10	1	PC.
060			227588-7	SPIRAL BEVEL GEAR 32	1	PC.
061			257323-9	RING 8	1	PC.
062			922118-6	HEX. SOCKET HEAD BOLT M4X12	2	PC.
063			346038-4	BEARING RETAINER B	1	PC.
064			211032-4	BALL BEARING 608ZZ	1	PC.
065			324212-4	RING 8	1	PC.
066			922147-9	HEX. SOCKET HEAD BOLT M4X25	2	PC.
067			141230-5	INNER SUPPORT COMPLETE	1	PC.

Item No	Type	Sub	Part No	Description	Qty	Unit
068			213767-3	O-RING 75	1	PC.
069			318810-4	INNER HOUSING	1	PC.
070			443153-6	FELT	1	PC.
071			922118-6	HEX. SOCKET HEAD BOLT M4X12	2	PC.
072			346536-8	BEARING RETAINER A	1	PC.
073			256536-9	FLAT FILLISTER HD PIN 6	1	PC.
074			346538-4	WEIGHT HOLDER GUIDE	1	PC.
075			313224-2	COUNTER WEIGHT	1	PC.
076			346538-4	WEIGHT HOLDER GUIDE	1	PC.
077			253726-5	FLAT WASHER 6	1	PC.
078			961018-5	STOP RING E-5	1	PC.
079			213008-7	O RING 22.4	1	PC.
080			141458-5	SPIRAL BEVEL GEAR 11 COMPLETE	1	PC.
081			210024-0	BALL BEARING 608LLU	1	PC.
082			253835-0	FLAT WASHER 8	1	PC.
083			619293-4	ROTOR	1	PC.
084			210022-4	BALL BEARING 626DDW	1	PC.
085	3		529187-4	* STATOR ASSY	1	PC.
086			620241-8	CONTROLLER	1	PC.
087	1		187767-8	* HOUSING SET	1	SET
		INC.	802L43-8	* CAUTION LABEL FR/SP	1	PC.
	2		183A40-0	* HOUSING SET	1	SET
		INC.	802L43-8	* CAUTION LABEL FR/SP	1	PC.
	3		183C04-6	* HOUSING SET	1	SET
		INC.	802L43-8	* CAUTION LABEL FR/SP	1	PC.
088			815B50-2	DHR243 SERIAL NO. LABEL	1	PC.
089			815B44-7	NAME PLATE F/DHR243	1	PC.
090			266326-2	TAPPING SCREW 4X18	10	PC.
092			453124-5	F/R CHANGE LEVER	1	PC.
093			453123-7	SWITCH LEVER	1	PC.
094			650709-0	SWITCH C3JW-1A-P	1	PC.
095			233598-4	TORSION SPRING 6	1	PC.
096			313226-8	OPENER	1	PC.
097			644808-8	TERMINAL	1	PC.
098			424476-1	CUSHION	1	PC.
099			187377-1	BATTERY HOUSING SET	1	SET
		INC.	263005-3	RUBBER PIN 6	2	PC.
100			263036-2	RUBBER PIN 5	1	PC.
101			268184-2	PIN 1.5	1	PC.
102			424473-7	CUSHION RUBBER	1	PC.
103			424473-7	CUSHION RUBBER	1	PC.
105			286263-4	CAP 35	1	PC.
106			233940-9	RING SPRING 19	1	PC.
107			418217-5	CHUCK COVER	1	PC.
108			345333-9	STOPPER	1	PC.
109			216022-2	STEEL BALL 7.0	1	PC.
110			345187-4	GUIDE WASHER	1	PC.
111			233916-6	CONICAL COMP. SPRING 21-29	1	PC.
112			267279-8	FLAT WASHER 21	1	PC.
113			324355-2	TOOL HOLDER	1	PC.
114			216013-3	STEEL BALL 6	2	PC.
115			231669-1	TORSION SPRING 31	1	PC.
116			345334-7	CHANGE RING	1	PC.
117			418218-3	CHANGE COVER	1	PC.
118			216018-3	STEEL BALL 5.0	1	PC.
119			345335-5	LEAF SPRING	1	PC.
120			267270-6	FLAT WASHER 24	1	PC.
121			233924-7	RING SPRING 21	1	PC.

Item No	Type	Sub	Part No	Description	Qty	Unit
122			893072-0	CLEAR LABEL	1	PC.
123			890994-5	CLEAR LABEL	1	PC.
124			424734-5	* SPONGE (Added)	1	PC.
C01			872961-2	CARTON F/DHR243Z	1	PC.
D01			654281-4	RECEPTACLE	3	PC.
<b>ACCESSORIES</b>		<b>- See catalogue or visit <a href="http://www.makita.ca">www.makita.ca</a> for more optional accessories -</b>				
A01			324219-0	DEPTH GAUGE	1	PC.
A02	2		194079-2	QUICK CHANGE DRILL CHUCK SET	1	PC.
		INC.	324353-6	CHUCK HOLDER	1	PC.
		INC.	418216-7	SPACER	1	PC.
A03			-----	BATTERY CHARGER		
A04			-----	18V LI-ION BATTERY		
A05			-----	LI-ION BATTERY ACCESSORIES		
A06	1		DX02	DUST EXTRACTION SYSTEM (Parts Breakdown Available)	1	PC.
	2		DX07	DUST EXTRACTION SYSTEM (Parts Breakdown Available)	1	PC.
A07			122574-2	1/2" DRILL CHUCK ATTACHMENT, SDS-PLUS	1	PC.
A08			122823-7	1/2" KEYLESS DRILL CHUCK ATTACHMENT, SDS-PLUS	1	PC.
A09			763432-9	CHUCK KEY S13	1	PC.
A10			195834-5	HAMMER SERVICE KIT		
		INC.	286263-4	CAP 35	1	PC.
		INC.	233979-2	RING SPRING 28	1	PC.
		INC.	216022-2	STEEL BALL 7.0	1	PC.
		INC.	213258-4	O-RING 17.5	1	PC.
		INC.	213073-6	O-RING 9	1	PC.
		INC.	195127-0	OIL VESSEL SET	1	PC.
A11			-----	SAFETY GOGGLES		
A12			-----	ROTARY HAMMER SERVICE ACCESSORIES		
A13			-----	SDS -PLUS 3 ROTARY HAMMER BITS		
A13			-----	SDS -PLUS 2 CUTTER THRUSTER ROTARY HAMMER BITS		
A14			-----	SDS-PLUS DEMOLITION BITS		
A15			195132-7	DUST CUP SET	1	PC.
A16			421342-3	DUST CUP 5	1	PC.
A17			421664-1	DUST CUP 9	1	PC.
A18	2		195548-6	JOINT 22-38	1	PC.
A19			765009-6	BLOW-OUT BULB	1	PC.
A20			196162-1	DUST CASE SET	1	PC.
		INC.	196164-7	HEPA FILTER SET	1	PC.
		INC.	453150-4	FILTER COVER	1	PC.
A21			D-14093	CHUCK ADAPTER (SDS-PLUS)	1	PC.
		INC.	751106-4	CHUCK ADAPTER	1	PC.
		INC.	251425-3	- FLAT HEAD SCREW M6X22	1	PC.

**SERVICE CHANGES**

**1. Changes on Housing Set & Stator**

( TI#Y07053, A6091 )

(TI#A9880)

Item No.	Description	Type 1	Type 2	Type 3
85	Stator > Startor Assy	629922-1	529922-0	529187-4
87	Housing Set	187767-8	183A40-0	183C04-6
INC.	Caution Label FR/SP	802L43-8		
124	Sponge	-----	-----	424734-5

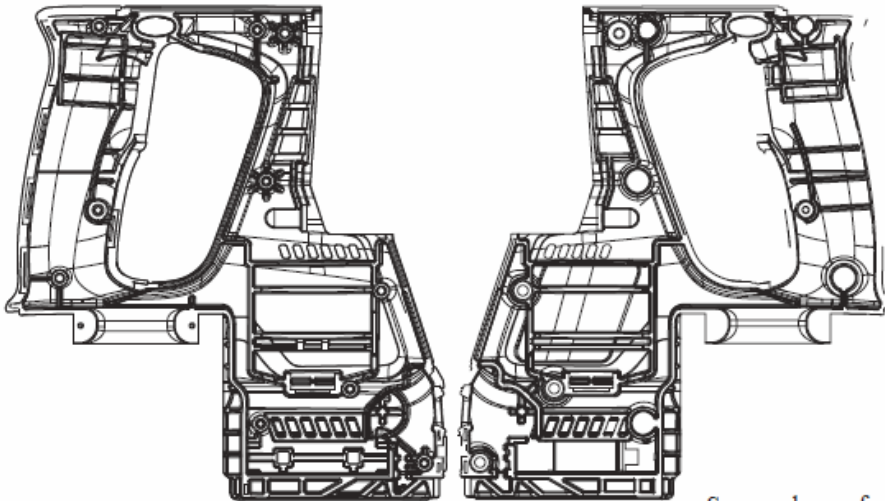
Type 2 and Type 3 parts are completely interchangeable as a set.

Left:Type 1

Right :Type 2

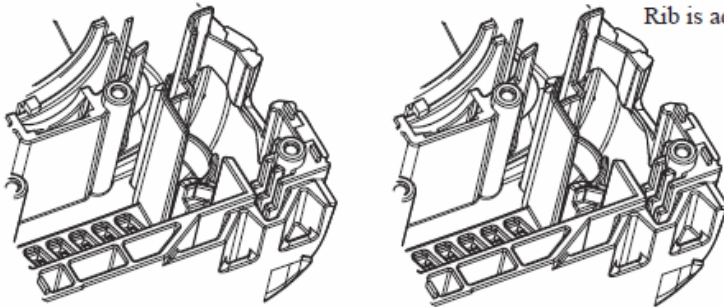
Housing L

Housing R

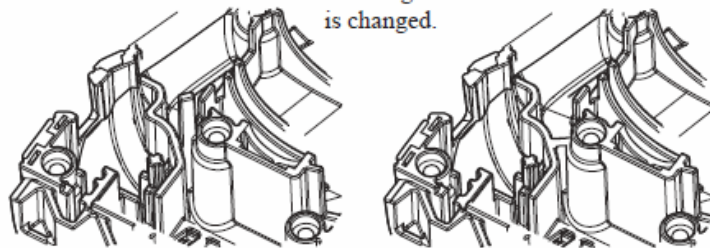


Square shape of Elastomer is added onto the plastic ribs.

Rib is added.



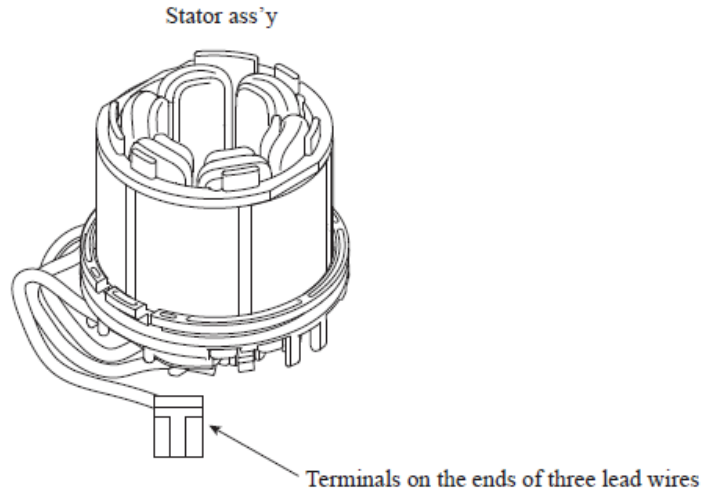
The height of Rib is changed.



Left:Type 1

Right :Type 2

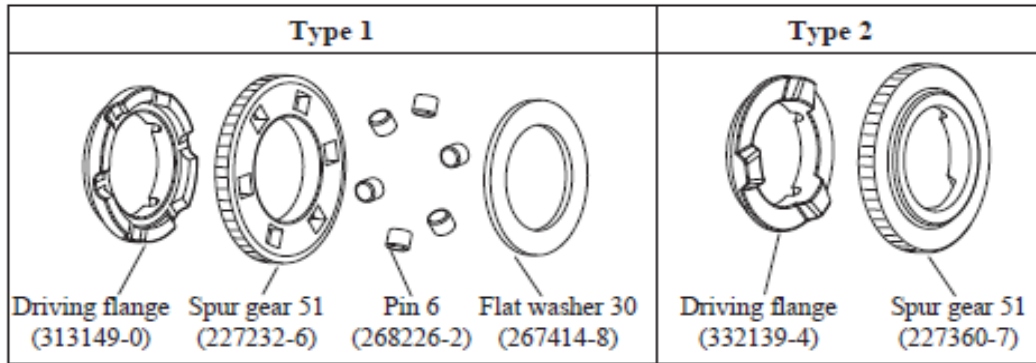
No. 85 Type 2 ~



**2. Changes on Spur gear 51 and Driving flange** ( TI#A6980 )

Item No.	Description	Type 1	Type 2
32	Spur Gear 51	227232-6	227360-7
31	Driving Flange	313149-0	332139-4
34	Flat Washer 30	267414-8	-----
33	Pin 6	268226-2	-----

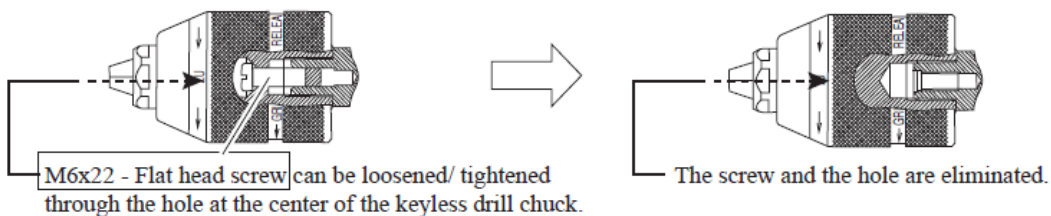
Above parts are completely interchangeable as a set.



**3. Changes on 2/1" Keyless drill chuck** ( TI#B1754 )

Item No.	Description	Type 1	Type 2
A02	Quick Change Drill Chuck Set	194079-2	194079-2
Inc.	- Flat Head Screw M6X22	251425-3	-----
Inc.	Chuck Holder	324353-6	324353-6
Inc.	Spacer	418216-7	418216-7

- M6x22 - Flat head screw has been eliminated.
- The tightening torque of the keyless drill chuck has increased from 36 - 46 N·m to 45 - 55 N·m.



**4. Changes on Clutch Cam A and Push Corn**

( TI#B4855 )

Item No.	Description	Type 1	Type 2
25	Push Corn	325785-0	326850-8
57	Clutch Cam A	331814-9	326849-3

Above parts are completely interchangeable as a set.

