



Service Manual / Manuel de Service

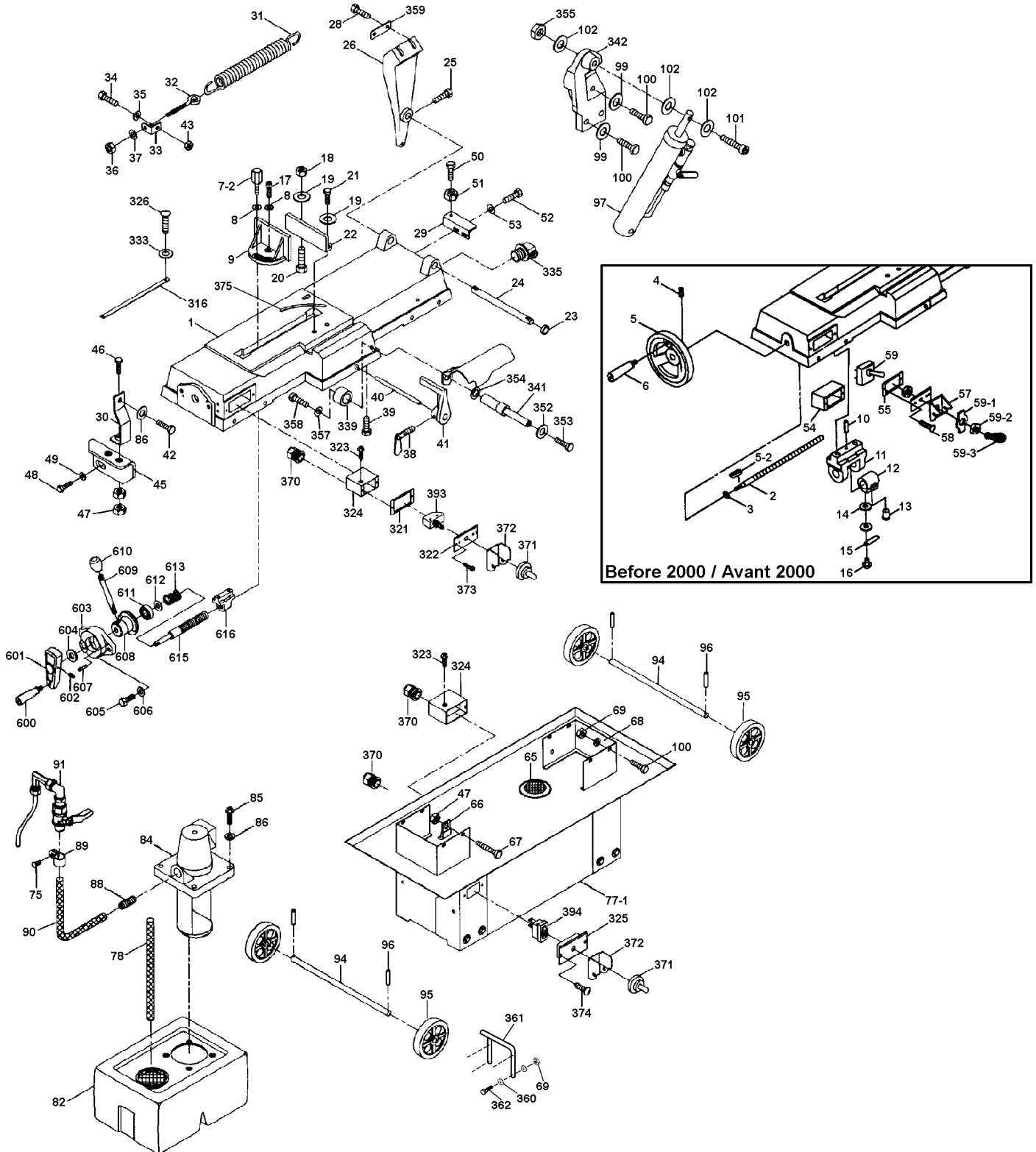
7" x 12" Metal Cutting Bandsaw Scie à Ruban 7" x 12" pour Métal



Revised/Revisé 02/14/2019

Table and Base Diagram / Diagramme de la Table et de la Base

KC-712BC





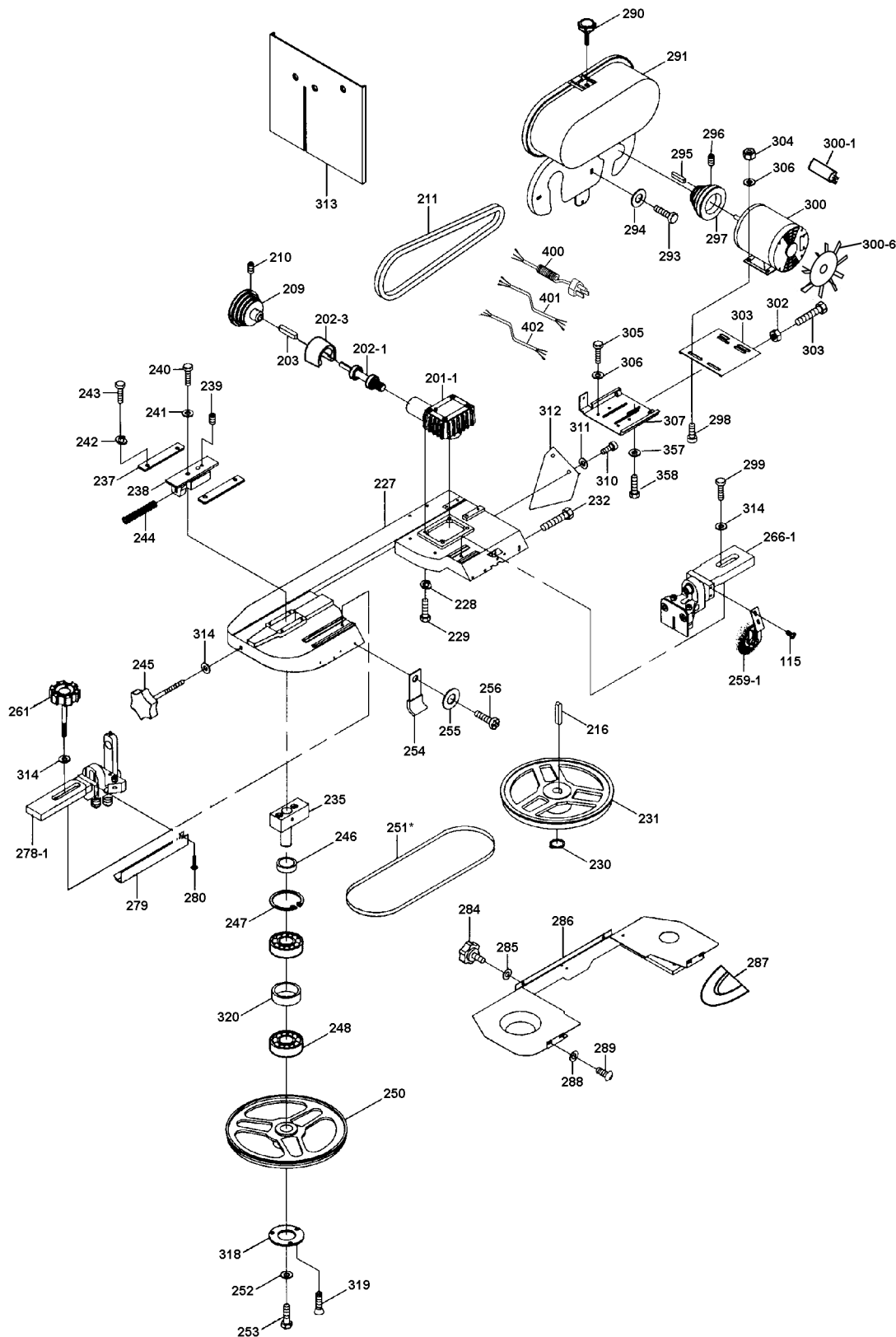
Service Manual / Manuel de Service

7" x 12" Metal Cutting Bandsaw Scie à Ruban 7" x 12" pour Métal



Head Diagram / Diagramme de la Tête

KC-712BC





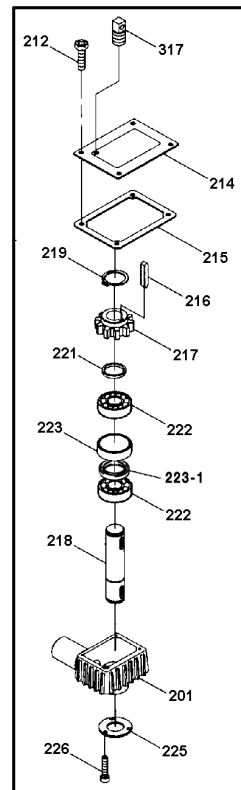
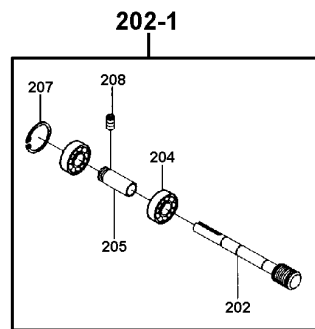
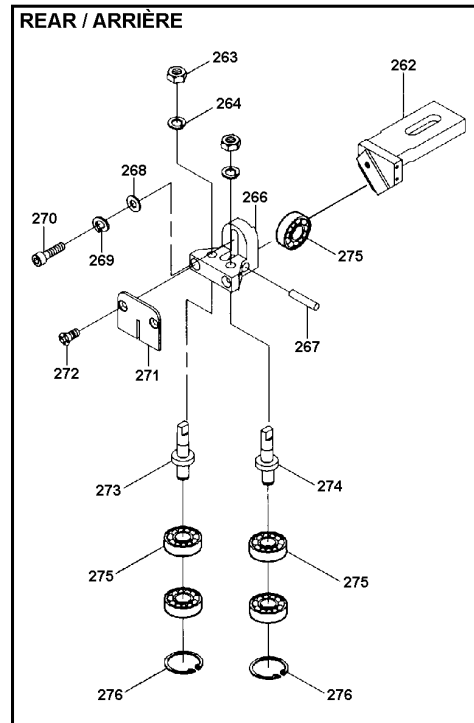
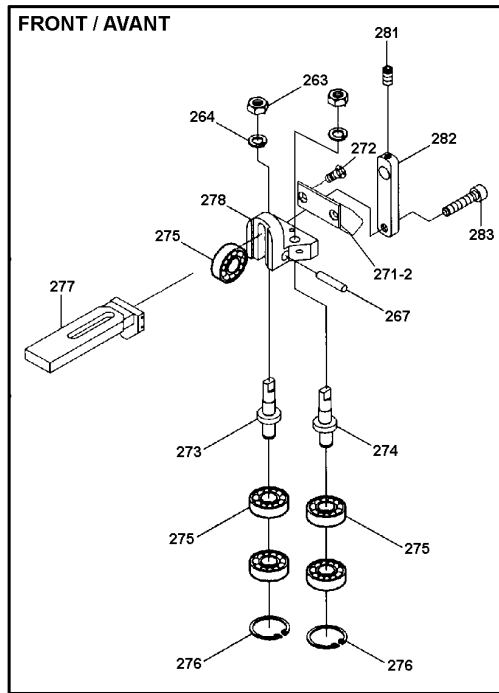
Service Manual / Manuel de Service

7" x 12" Metal Cutting Bandsaw Scie à Ruban 7" x 12" pour Métal



Gear & Bracket Diagram / Diagramme des Engrenages et des Supports

KC-712BC





® Parts Pricing List / Liste de Prix des Pièces **KC-712BC**

Diag.	Order # Com.	Description	Description Française	Qty./Qté.	Price/Prix
1	12-77120010	CAST IRON TABLE	TABLE EN FONTE	1	\$916.78
2	12-77120020	ACME SCREW (PRE 2000)	TIGE VISSEE "ACME" (AVANT 2000)	1	\$108.81
3	12-77120030	WASHER (PRE 2000)	RONDELLE (AVANT 2000)	1	\$2.69
4	12-77120040	SET SCREW (PRE 2000)	VIS SANS TETE (AVANT 2000)	1	\$2.69
5	12-77120050	HANDWHEEL (PRE 2000)	MANIVELLE (AVANT 2000)	1	\$62.33
5-2	12-77120052	KEY (PRE 2000)	CLE DE RETENUE (AVANT 2000)	1	\$3.06
6	12-77120060	HANDLE (PRE 2000)	POIGNEE/MANIVELLE (AVANT 2000)	1	\$20.28
7-2	12-77120072	HEX. BOLT	BOULON HEXAGONAL	1	\$46.21
8	12-77120080	WASHER	RONDELLE	2	\$2.69
9	12-77120090	WISE JAW BRACKET (FRONT)	MACHOIRE DE L'ETAU (AVANT)	1	\$108.63
10	12-77120100	SPRING PIN (PRE 2000)	GOUPILLE A RESSORT (AVANT 2000)	1	\$3.06
11	12-77120110	BRACKET (PRE 2000)	SUPPORT DE L'ECROU (AVANT 2000)	1	\$64.36
12	12-77120120	ACME NUT (PRE 2000)	ECROU RAPIDE (AVANT 2000)	1	\$52.50
13	12-77120130	LOCKING BUTTON (PRE 2000)	BOUTON DE VERROU. (AVANT 2000)	1	\$8.05
14	12-77120140	SPRING WASHER (PRE 2000)	RONDELLE A RESSORT (AVANT 2000)	1	\$2.50
15	12-77120150	RETAINER (PRE 2000)	PLAQUE DE RETENUE (AVANT 2000)	1	\$5.46
16	12-77120160	PAN HEAD SCREW (PRE 2000)	VIS A TETE BOMBEE (AVANT 2000)	1	\$2.50
17	12-77120170	HEX. BOLT	BOULON HEXAGONAL	1	\$3.43
18	12-77120180	HEX. NUT	ECROU HEXAGONAL	1	\$3.24
19	12-77120190	WASHER	RONDELLE	2	\$3.06
20	12-77120200	CARRIAGE BOLT	BOULON DE CARROSSERIE	1	\$4.91
21	12-77120210	HEX. BOLT	BOULON HEXAGONALE	1	\$4.17
22	12-77120220	WISE JAW BRACKET (REAR)	MACHOIRE DE L'ETAU (ARRIERE)	1	\$146.04
23	12-77120230	BUSHING	ESPACEUR	1	\$11.76
24	12-77120240	SUPPORT ROD	TIGE DE SUPPORT	1	\$44.35
25	12-77120250	HEX. BOLT	BOULON HEXAGONAL	1	\$3.06
26	12-77120260	PIVOT BRACKET	SUPPORT DE PIVOTEMENT	1	\$173.63
28	12-77120280	HEX. BOLT	BOULON HEXAGONALE	2	\$3.43
29	12-77120290	SUPPORT PLATE	PLAQUE DE SUPPORT	1	\$17.31
30	12-77120300	FIX PLATE	PLAQUE FIXE	1	\$18.25
31	12-77120310	EXTENSION SPRING	RESSORT A EXTENSION	1	\$111.03
32	12-77120320	SPRING TENSION SCREW	OEILLET DE TENSION POUR RESSORT	1	\$17.31
33	12-77120330	SPRING SCREW BRACKET	SUPPORT/OEILLET DU RESSORT	1	\$8.05
34	12-77120340	HEX. BOLT	BOULON HEXAGONAL	1	\$2.79
35	12-77120350	WASHER	RONDELLE	1	\$2.59
36	12-77120360	HEX. NUT	ECROU HEXAGONAL	1	\$2.59
37	12-77120370	WASHER	RONDELLE	1	\$2.96
38	12-77120380	THUMB SCREW	VIS A AILETTE	1	\$8.99
39	12-77120390	HEX. BOLT	BOULON HEXAGONAL	1	\$3.24
40	12-77120400	STOCK STOP ROD	TIGE DU SUPPORT D'ARRET	1	\$18.42
41	12-77120410	STOP BLOCK	SUPPORT D'ARRET	1	\$27.31
42	12-77120420	HEX. BOLT W/WASHER	BOULON HEXAGONAL A/RONDELLE	1	\$3.24
43	12-77120430	HEX. NUT	ECROU HEXAGONAL	1	\$2.50
45	12-77120450	SUPPORT PLATE	PLAQUE DE SUPPORT	1	\$18.42
46	12-77120460	HEX. BOLT	BOULON HEXAGONAL	1	\$4.17
47	12-77120470	HEX. NUT	ECROU HEXAGONAL	3	\$2.59
48	12-77120480	HEX. BOLT	BOULON HEXAGONAL	2	\$2.79



Parts Pricing List / Liste de Prix des Pièces **KC-712BC**

Diag.	Order # Com.	Description	Description Française	Qty./Qté.	Price/Prix
49	12-77120490	WASHER	RONDELLE	2	\$2.59
50	12-77120500	HEX. BOLT	BOULON HEXAGONAL	1	\$4.17
51	12-77120510	HEX. NUT	ECROU HEXAGONAL	1	\$2.59
52	12-77120520	HEX. BOLT	BOULON HEXAGONAL	2	\$2.79
53	12-77120530	WASHER	RONDELLE	2	\$2.59
55	12-77120550	RUBBER PLATE (PRE 2000)	JOINT D'ETANCHEITE (AVANT 2000)	1	\$7.13
57	12-77120570	SWITCH SAFETY BRACKET (PRE 2000)	GARDE DE SECURITE (AVANT 2000)	1	\$7.31
58	12-77120580	PAN HEAD SCREW (PRE 2000)	VIS A TETE BOMBEE (AVANT 2000)	2	\$2.50
59	12-77120590	TOGGLE SWITCH (PRE 2000)	INTERR. A BASCULE (AVANT 2000)	1	\$29.21
59-1	12-77120591	INDICATING PLATE (PRE 2000)	PLAQUE INDICATRICE (AVANT 2000)	1	\$4.54
59-2	12-77120592	RETAINING NUT (PRE 2000)	ECROU DE RETENU (AVANT 2000)	2	\$4.35
59-3	12-77120593	TOGGLE SWITCH CAP (PRE 2000)	CAPUCHON PROTECTEUR (AVANT 2000)	1	\$9.16
65	12-77120650	FILTER/SCREEN	FILTRE/PASSOIRE	1	\$18.25
66	12-77120660	SWITCH CUT-OFF TIP	PLAQUE D'ARRET DE L'INTERRUPTEUR	1	\$7.31
67	12-77120670	HEX. BOLT	BOULON HEXAGONAL	8	\$3.06
68	12-77120680	WASHER	RONDELLE	8	\$2.79
69	12-77120690	HEX. NUT	ECROU HEXAGONAL	12	\$2.50
75	12-77120750	PAN HD SCREW	VIS A TETE BOMBEE	2	\$2.50
77-1	12-77120771	COMPLETE BASE ASS'Y (SPEC. ORD.)	SOCLE COMPLET ASS. (COMM. SPEC.)	1	\$916.78
78	12-77120780	VINYL HOSE	BOYAU EN VYNILE	1	\$18.42
82	12-77120820	COOLANT TANK	RESERVOIR DU LIQUIDE	1	\$140.48
84	12-77120840	COOLANT PUMP 110/220V	POMPE A LIQUIDE REFROID. 110/220V	1	\$241.95
85	12-77120850	PAN HD SCREW	VIS A TETE RONDE	4	\$2.69
86	12-77120860	WASHER	RONDELLE	5	\$2.50
88	12-77120880	HOSE FITTING	ADAPTATEUR DE BOYAU	1	\$16.39
89	12-77120890	HOSE CLIP	ATTACHE BOYAU	2	\$4.17
90	12-77120900	VINYL HOSE	BOYAU RENFORCE EN VINYLE	1	\$42.32
91	12-77120910	VALVE AND FITTING ASS'Y	SOUPAPE ET RACCORD ASSEMBLE	1	\$73.99
94	12-77120940	STAND WHEEL ROD	TIGE POUR ROUES DU SOCLE	2	\$34.92
95	12-77120950	STAND WHEEL	ROUE DU SOCLE	4	\$27.68
96	12-77120960	COTTER PIN	GOUPILLE FENDUE	4	\$4.17
97	12-77120970	COMPLETE CYLINDER ASS'Y	CYLINDRE COMPLET ASSEMBLE	1	\$259.95
99	12-77120990	WASHER	RONDELLE	3	\$2.59
100	12-77121000	HEX. BOLT	BOULON HEXAGONAL	7	\$2.79
101	12-77121010	CAP SCREW	BOULON A TETE CYLINDRIQUE	1	\$3.98
102	12-77121020	WASHER	RONDELLE	3	\$2.79
115	12-77121150	PAN HD SCREW	VIS A TETE BOMBEE	1	\$2.50
201	12-77122010	GEAR BOX HOUSING	BOITIER DE LA BOITE D'ENGRENAGE	1	\$173.82
201-1	12-77122011	COMP. GEAR BOX ASS'Y (SPEC. ORD.)	BOITE D'ENGR. COMP. (COMM. SPEC.)	1	\$579.71
202	12-77122020	WORM SHAFT	TIGE A VIS SANS FIN	1	\$129.55
202-1	12-77122022	WORM GEAR SHAFT ASS'Y	TIGE D'ENGRENAGE SANS FIN ASS.	1	\$210.86
202-3	12-77122023	WORM SHAFT GUARD	GARDE/TIGE/ENGRENAGE SANS FIN	1	\$14.95
203	12-77122030	KEY	CLE DE RETENUE	1	\$2.87
204	12-77122040	BALL BEARING	ROULEMENT A BILLES	2	\$20.28
205	12-77122050	BEARING BUSHING	ESPACEUR DE ROULEMENT	1	\$35.09
207	12-77122070	RETAINING RING/SHAFT	ANNEAU DE RETENU/TIGE	1	\$2.50
208	12-77122080	SET SCREW	VIS SANS TETE	1	\$2.87



Parts Pricing List / Liste de Prix des Pièces **KC-712BC**

Diag.	Order # Com.	Description	Description Française	Qty./Qté.	Price/Prix
209	12-77122090	PULLEY FOR GEAR BOX	POULIE DU BOITIER D'ENGRENAGE	1	\$129.55
210	12-77122100	SET SCREW	VIS SANS TETE	2	\$2.50
211	12-77122110	V-BELT	COURROIE EN "V"	1	\$15.83
212	12-77122120	HEX. BOLT W/WASHER	BOULON HEXAGONAL A/RONDELLE	4	\$3.24
214	12-77122140	HOUSING COVER	COUVERCLE DU BOITIER	1	\$17.31
215	12-77122150	COVER GASKET	JOINT D'ETANCHEITE DU COUV.	1	\$10.84
216	12-77122160	KEY	CLE DE RETENUE	2	\$3.24
217	12-77122170	WORM GEAR	ENGRENAGE SANS FIN	1	\$92.51
218	12-77122180	TRANSMISSION SHAFT	ARBRE DE TRANSMISSION	1	\$71.59
219	12-77122190	RETAINING RING/SHAFT	ANNEAU DE RETENU/TIGE	1	\$3.61
221	12-77122210	BUSHING	BAGUE	1	\$9.73
222	12-77122220	BALL BEARING	ROULEMENT A BILLES	2	\$31.39
223	12-77122230	BEARING BUSHING	BAGUE DU ROULEMENT	1	\$11.76
223-1	12-77122231	OIL SEAL	JOINT D'ETANCHEITE	1	\$32.69
225	12-77122250	BEARING COVER	COUVERCLE DE ROULEMENT	1	\$14.72
226	12-77122260	PAN HD SCREW	VIS A TETE BOMBEE	3	\$2.50
227	12-77122270	WHEEL BODY FRAME	BRAS PRINCIPAL DES ROUES	1	\$805.66
228	12-77122280	SPRING WASHER	RONDELLE A RESSORT	4	\$2.50
229	12-77122290	HEX. BOLT	BOULON HEXAGONAL	4	\$3.43
230	12-77122300	RETAINING RING/SHAFT	ANNEAU DE RETENU/TIGE	1	\$3.61
231	12-77122310	DRIVE BLADE WHEEL	ROUE DE COMMANDEMENT	1	\$162.52
232	12-77122320	HEX. BOLT	BOULON HEXAGONAL	1	\$3.06
235	12-77122350	WHEEL SHAFT ASS'Y	TIGE DE LA ROUE ASSEMBLEE	1	\$55.29
237	12-77122370	SLIDING PLATE	PLAQUE COULISSANTE	2	\$12.13
238	12-77122380	TENSION SLIDING BLOCK	BLOC DE TENSION COULISSANT	1	\$73.62
239	12-77122390	SET SCREW	VIS SANS TETE	1	\$3.43
240	12-77122400	HEX. BOLT	BOULON HEXAGONAL	2	\$3.06
241	12-77122410	WASHER	RONDELLE	2	\$2.59
242	12-77122420	SPRING WASHER	RONDELLE A RESSORT	4	\$2.69
243	12-77122430	HEX. BOLT	BOULON HEXAGONAL	4	\$3.06
244	12-77122440	COMPRESSION SPRING	RESSORT A COMPRESSION	1	\$11.02
245	12-77122450	BLADE TENSION KNOB	POIGNEE DE TENSION DE LA LAME	1	\$28.25
246	12-77122460	BEARING BUSHING	BAGUE DU ROULEMENT	1	\$7.88
247	12-77122470	RETAINER RING/BORE	ANNEAU DE RETENU/ALESAGE	1	\$3.98
248	12-77122480	BALL BEARING	ROULEMENT A BILLES	2	\$18.42
250	12-77122500	IDLER BLADE WHEEL	ROUE FOLLE	1	\$155.48
251	KBB-712	BLADE	LAME	1	-
252	12-77122520	WASHER	RONDELLE	1	\$2.79
253	12-77122530	HEX. BOLT	BOULON HEXAGONAL	1	\$2.79
254	12-77122540	SWITCH CUT-OFF TIP	PLAQUE D'ARRET DE L'INTERR.	1	\$9.16
255	12-77122550	WASHER	RONDELLE	1	\$2.50
256	12-77122560	HEX. BOLT W/WASHER	BOULON HEXAGONAL A/RONDELLE	1	\$3.24
259-1	12-77122591	ROUND BRUSH & BRACKET ASS'Y	BROSSE RONDE ET SUPPORT ASS.	1	\$43.95
261	12-77122610	GUIDE ADJUSTMENT KNOB	POIGNEE D'AJUSTEMENT DU GUIDE	1	\$13.61
262	12-77122620	ADJUSTABLE BRACKET (REAR)	SUPPORT AJUSTABLE (ARRIERE)	1	\$62.70
263	12-77122630	HEX. NUT	ECROU HEXAGONAL	4	\$2.59
264	12-77122640	SPRING WASHER	RONDELLE A RESSORT	4	\$2.50



® Parts Pricing List / Liste de Prix des Pièces **KC-712BC**

Diag.	Order # Com.	Description	Description Française	Qty./Qté.	Price/Prix
266	12-77122660	BEARING ADJUST. BRACKET (REAR)	SUPPORT AJUST./ROULEMENTS (ARR.)	1	\$42.32
266-1	12-77122661	BEARING ADJ. BRACKET ASS'Y	SUPP. AJUST./ROULEMENTS ASS. (ARR.)	1	\$147.89
267	12-77122670	BEARING PIN	GOUPILLE POUR ROULEMENT	2	\$8.79
268	12-77122680	WASHER	RONDELLE	1	\$2.59
269	12-77122690	SPRING WASHER	RONDELLE A RESSORT	1	\$2.69
270	12-77122700	CAP SCREW	BOULON A TETE CYLINDRIQUE	1	\$3.06
271	12-77122710	DEFLECTOR PLATE (BACK)	PLAQUE DEFLECTRICE (ARRIERE)	1	\$9.90
271-2	12-77122712	DEFLECTOR PLATE (FRONT)	PLAQUE DEFLECTRICE (AVANT)	1	\$48.06
272	12-77122720	COUNTERSUNK HD SCREW	VIS A TETE FRAISEE	4	\$2.69
273	12-77122730	BEARING SHAFT	TIGE DES ROULEMENTS	2	\$19.73
274	12-77122740	BEARING ECCENTRIC SHAFT	TIGE EXCENTRIQUE/ROULEMENTS	2	\$22.13
275	12-77122750	BALL BEARING	ROULEMENT A BILLES	10	\$20.28
276	12-77122760	RETAINING RING/SHAFT	ANNEAU DE RETENU/TIGE	4	\$2.42
277	12-77122770	ADJUSTABLE BRACKET (FRONT)	SUPPORT AJUSTABLE (AVANT)	1	\$91.96
278	12-77122780	BEARING ADJ. BRACKET (FRONT)	SUPPORT AJUST./ROULEMENTS (AV.)	1	\$42.32
278-1	12-77122781	BEARING ADJ. BRACKET ASS. (FRONT)	SUPP. AJUST./ROULEMENTS ASS. (AV.)	1	\$140.66
279	12-77122790	BLADE GUIDE PROTECTOR (FRONT)	PROTEGE LAME DU GUIDE (AVANT)	1	\$16.57
280	12-77122800	PAN HD SCREW	VIS TETE BOMBEE	2	\$2.69
281	12-77122810	SET SCREW	VIS SANS TETE	1	\$2.50
282	12-77122820	NOZZLE COCK SUPPORT	SUPP. DU JET/LIQUIDE DE COUPE	1	\$18.42
283	12-77122830	CAP SCREW	BOULON A TETE CYLINDRIQUE	1	\$3.06
284	12-77122840	LOCKING KNOB	BOUTON DE VERROUILLAGE	2	\$9.16
285	12-77122850	WASHER	RONDELLE	2	\$2.42
286	12-77122860	BLADE BACK COVER	COUVERCLE DE LA LAME (ARRIERE)	1	\$212.99
287	12-77122870	WHEEL COVER	COUVERCLE DE ROUE	1	\$90.29
288	12-77122880	WASHER	RONDELLE	4	\$2.50
289	12-77122890	PAN HD SCREW	VIS A TETE BOMBEE	4	\$2.69
290	12-77122900	LOCK KNOB	BOUTON DE SERRAGE	1	\$6.02
291	12-77122910	PULLEY COVER	COUVERCLE DES POULIES	1	\$91.96
293	12-77122930	HEX. BOLT W/WASHER	BOULON HEXAGONAL A/RONDELLE	2	\$3.24
294	12-77122940	WASHER	RONDELLE	2	\$2.42
295	12-77122950	KEY	CLE DE RETENUE	1	\$3.43
296	12-77122960	SET SCREW	VIS SANS TETE	1	\$2.69
297	12-77122970	MOTOR PULLEY	POULIE DU MOTEUR	1	\$73.62
298	12-77122980	CARRIAGE BOLT	BOULON A CARROSSERIE	4	\$3.43
299	12-77122990	HEX. BOLT	BOULON HEXAGONAL	4	\$3.43
300	12-77123000	MOTOR	MOTEUR	1	\$664.90
300-1	12-77123001	STARTING CAPACITOR	CONDENSATEUR DE DEMARRAGE	1	\$58.49
300-6	12-77123006	MOTOR FAN	VENTILATEUR DU MOTEUR	1	\$7.25
301	12-77123010	HEX. BOLT	BOULON HEXAGONAL	2	\$3.43
302	12-77123020	HEX. NUT	ECROU HEXAGONAL	2	\$2.50
303	12-77123030	MOTOR MOUNT PLATE	PLAQUE DE MONTAGE DU MOTEUR	1	\$55.10
304	12-77123040	HEX. NUT	ECROU HEXAGONAL	4	\$2.50
305	12-77123050	HEX. BOLT	BOULON HEXAGONAL	4	\$2.79
306	12-77123060	WASHER	RONDELLE	8	\$2.79
307	12-77123070	MOTOR MOUNT BRACKET	SUPPORT DE MONTAGE DU MOTEUR	1	\$71.59
310	12-77123100	HEX. BOLT W/WASHER	BOULON HEXAGONAL A/RONDELLE	2	\$3.24



® Parts Pricing List / Liste de Prix des Pièces **KC-712BC**

Diag.	Order # Com.	Description	Description Française	Qty./Qté.	Price/Prix
311	12-77123110	WASHER	RONDELLE	2	\$2.50
312	12-77123120	SUPPORT PLATE	PLAQUE DE SUPPORT	1	\$16.02
313	12-77123130	VERTICAL CUTTING TABLE	TABLE DE COUPE VERTICALE	1	\$43.95
314	12-77123140	WASHER	RONDELLE	5	\$2.69
316	12-77123160	SCALE	REGLE DE MESURE	1	\$15.46
317	12-77123170	VENT PLUG	BOUCHON D'AERATION	1	\$6.76
318	12-77123180	BEARING COVER	COUVERCLE DE ROULEMENT	1	\$12.13
319	12-77123190	COUNTERSUNK HD SCREW	VIS A TETE FRAISEE	3	\$2.50
320	12-77123200	BEARING BUSHING	BAGUE DU ROULEMENT	1	\$12.87
321	12-77123210	RUBBER PLATE	PLAQUE EN JOINT D'ETANCHEITE	1	\$7.13
322	12-77123220	ELECTRICAL BOX COVER (PLASTIC)	COUV. DE LA BOITE ELECT. (PLAS.)	1	\$10.47
323	12-77123230	PAN HD SCREW	VIS A TETE BOMBEE	4	\$2.42
324	12-77123240	ELECTRICAL SWITCH BOX (PLASTIC)	BOITE ELECT. DE L'INTERR. (PLAS.)	2	\$11.02
325	12-77123250	ELECTRICAL BOX COVER (PLASTIC)	COUV. DE LA BOITE ELECT. (PLAS.)	1	\$10.47
326	12-77123260	PAN HD SCREW	VIS A TETE BOMBEE	2	\$2.50
333	12-77123330	WASHER	RONDELLE	2	\$2.50
335	12-77123350	STRAIN RELIEF	ATTACHE FIL	1	\$4.17
339	12-77123390	BUSHING	BAGUE	1	\$14.54
341	12-77123410	CYLINDER LOWER SHAFT	TIGE DU BAS POUR CYLINDRE	1	\$61.02
342	12-77123420	CYLINDER UPPER BRACKET	SUPPORT DU HAUT POUR CYLINDRE	1	\$73.81
352	12-77123520	WASHER	RONDELLE	3	\$2.59
353	12-77123530	HEX. BOLT	BOULON HEXAGONAL	3	\$2.59
354	12-77123540	WASHER	RONDELLE	1	\$4.72
355	12-77123550	HEX. NUT	ECROU HEXAGONAL	1	\$2.59
357	12-77123570	WASHER	RONDELLE	2	\$2.79
358	12-77123580	HEX. BOLT	BOULON HEXAGONAL	2	\$2.79
359	12-77123590	FIXING PLATE	PLAQUE DE FIXATION	1	\$22.13
360	12-77123600	WASHER	RONDELLE	12	\$2.50
361	12-77123610	CARRYING HANDLE	POIGNEE DE TRANSPORT	1	\$73.99
362	12-77123620	HEX. BOLT	BOULON HEXAGONAL	4	\$3.06
370	12-77123700	STRAIN RELIEF	ATTACHE FIL	5	\$3.98
371	12-77123710	RUBBER PROTECTOR	PROTECTEUR EN CAOUTCHOUC	2	\$9.16
372	12-77123720	SWITCH SAFETY BRACKET	GARDE DE SECURITE POUR INTERR.	2	\$7.31
373	12-77123730	PAN HD SCREW	VIS A TETE BOMBEE	4	\$2.50
374	12-77123740	SCREW	VIS	4	\$2.50
375	12-77123750	ANGLE SCALE	ECELLE POUR ANGLE	1	\$15.46
393	12-77123930	TOGGLE SWITCH	INTERRUPTEUR A BASCULE	1	\$29.21
394	12-77123940	TOGGLE SWITCH	INTERRUPTEUR A BASCULE	1	\$29.21
400	12-77124000	POWER CORD	CORDON D'ALIMENTATION	1	\$44.35
401	12-77124010	MOTOR CORD	CORDON DU MOTEUR	1	\$39.95
402	12-77124020	SWITCH PUMP WIRE	FIL D'INTERRUPTEUR DE LA POMPE	1	\$55.47
600	12-77126000	CRANK HANDLE	POIGNEE DE L'EXCENTRIQUE	1	\$20.28
601	12-77126010	CRANK ARM	BRAS EXCENTRIQUE	1	\$51.58
602	12-77126020	SET SCREW	VIS SANS TETE	1	\$2.69
603	12-77126030	CRANK ARM BRACKET	SUPPORT DU BRAS EXCENTRIQUE	1	\$101.77
604	12-77126040	WASHER	RONDELLE	1	\$3.06
605	12-77126050	HEX. BOLT	BOULON HEXAGONAL	2	\$3.43



® Parts Pricing List / Liste de Prix des Pièces **KC-712BC**

Diag.	Order # Com.	Description	Description Française	Qty./Qté.	Price/Prix
606	12-77126060	WASHER	RONDELLE	2	\$2.69
607	12-77126070	SPRING PIN	GOUPILLE A RESSORT	1	\$3.43
608	12-77126080	PRESSURE FLANGE	BRIDE DE PRESSION	1	\$92.51
609	12-77126090	FLANGE HANDLE	POIGNEE DE LA BRIDE	1	\$46.21
610	12-77126100	KNOB	BOUTON	1	\$6.76
611	12-77126110	THRUST BEARING	ROULEMENT A BUTEE	1	\$46.21
612	12-77126120	WASHER	RONDELLE	1	\$3.06
613	12-77126130	SPRING	RESSORT	1	\$16.57
615	12-77126150	WISE SCREW	TIGE VISSEE DE L'ETAU	1	\$92.51
616	12-77126160	WISE SCREW NUT	ECROU DE LA TIGE VISSEE	1	\$73.13
	12-7712MBIL	BILINGUAL MANUAL KC-712BC	MANUEL BILINGUE KC-712BC	1	\$24.17