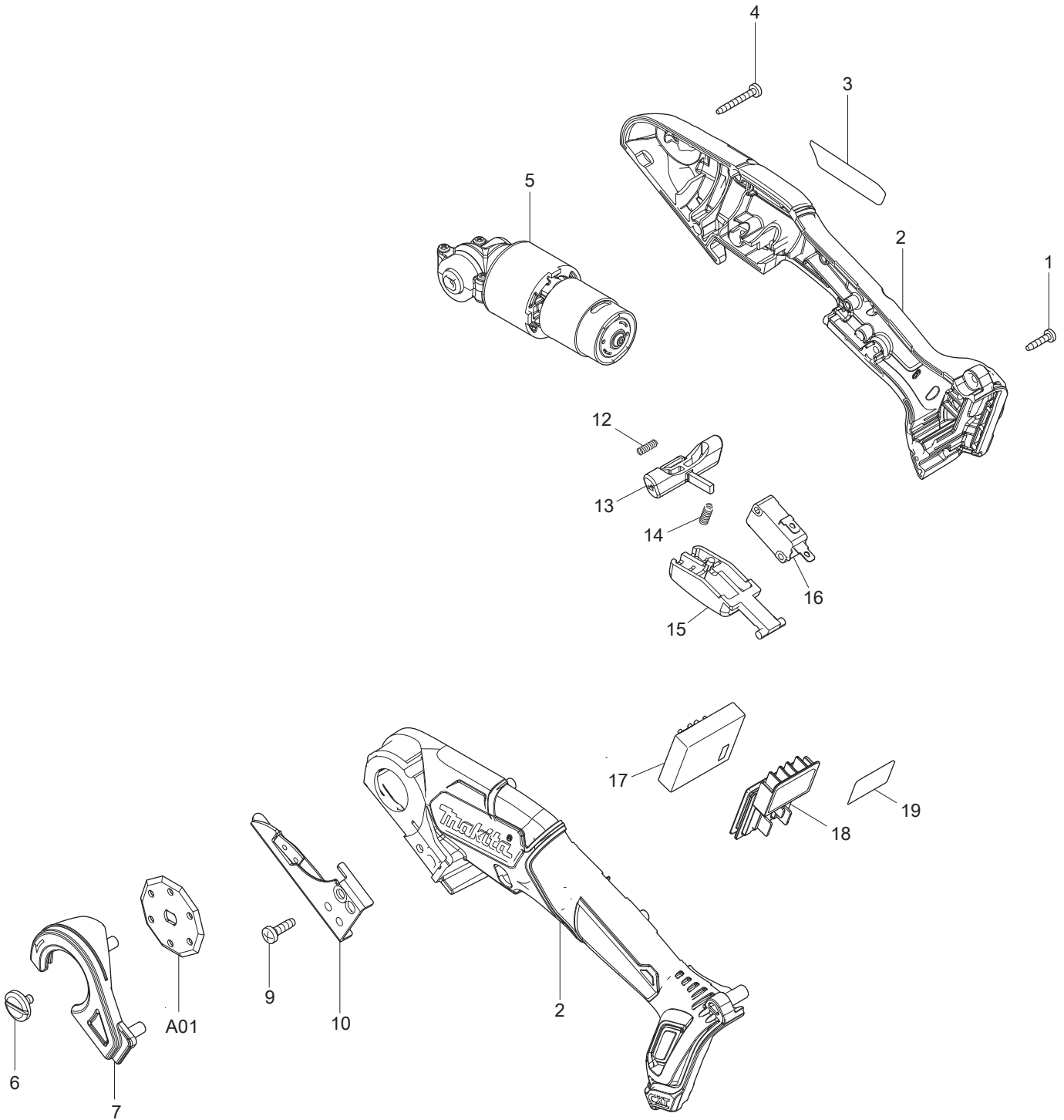




04 - 2017
CP100DZ
12V Max CXT Multi Cutter



Item N	Type	Part No	Description	Qty	Unit
1		266404-8	TAPPING SCREW BIND M3X14	6	PC.
2		183G66-8	HOUSING SET	1	SET
3		853H52-6	NAME PLATE F/CP100D	1	PC.
4		251574-6	TAPPING SCREW BIND M3X24	2	PC.
5		126614-8	GEAR ASSEMBLY	1	PC.
6		251571-2	- FLAT HEAD SCREW M4X8	1	PC.
7		457828-1	BLADE COVER	1	PC.
9		266385-6	TAPPING SCREW M4X14	1	PC.
10		144620-1	UNDER BLADE COMPLETE	1	PC.
12		231469-9	COMPRESSION SPRING 4	1	PC.
13		457829-9	LOCKOFF LEVER	1	PC.
14		233438-6	COMPRESSION SPRING 4	1	PC.
15		457830-4	SWITCH LEVER	1	PC.
16		650744-8	SWITCH D3V-16-3C26	1	PC.
17		620687-8	CONTROLLER	1	PC.
18		644813-5	TERMINAL	1	PC.
19		853H60-7	SERIAL NO. LABEL F/CP100D	1	PC.
E01		813A34-8	CAUTION LABEL	1	PC.
<u>ACCESSORIES</u>		- See Catalogue or visit www.makita.ca for more accessories -			
A01		198604-1	MULTI CUTTER BLADE	1	PC.
A02		-----	12V MAX LI-ION BATTERY, SLIDE TYPE		
A03		DC10SB	RAPID CHARGER DC10SB	1	PC.
A04		-----	LI-ION BATTERY ACCESSORIES		