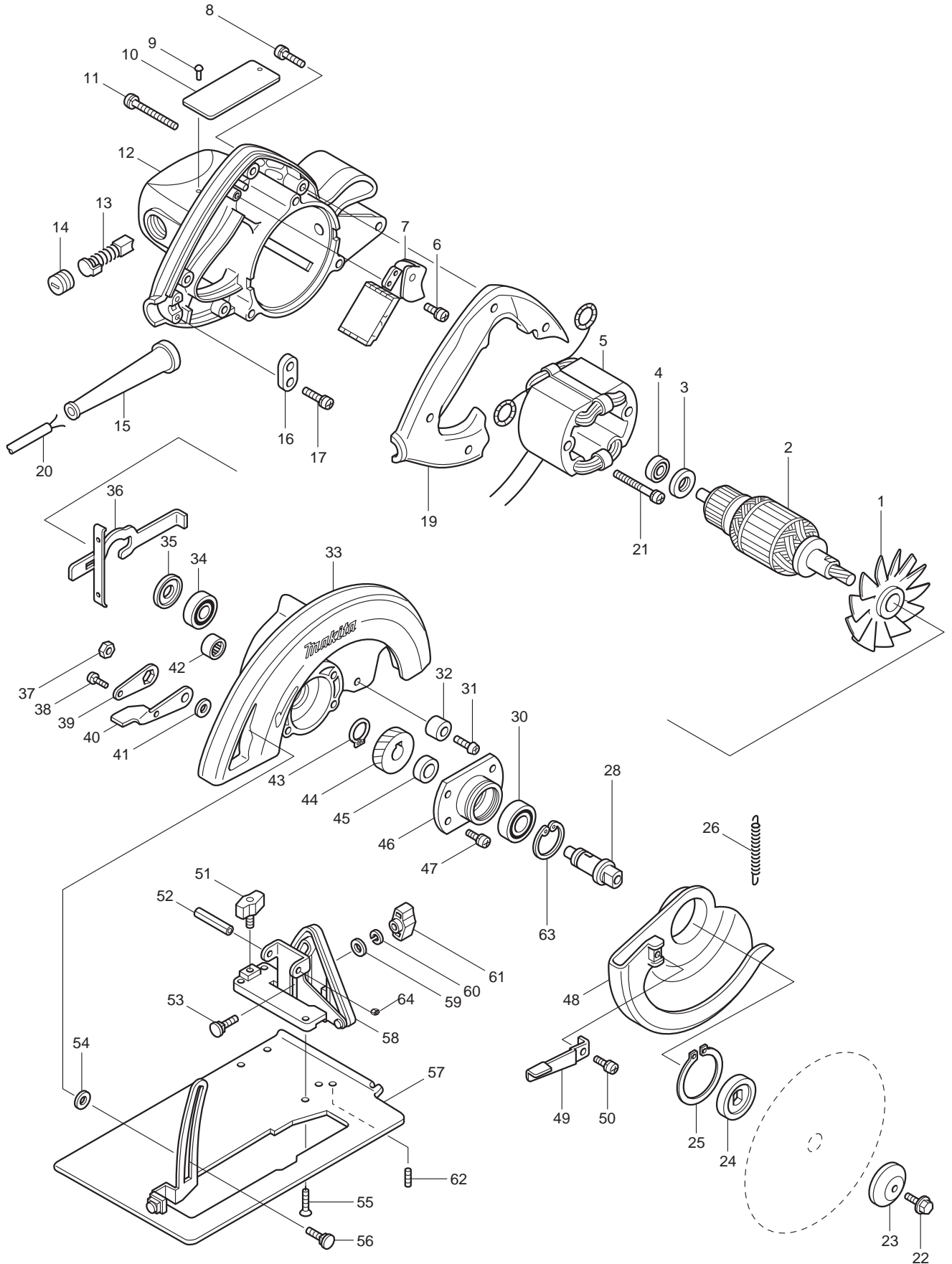




06 - 2011
5007NB (MKC)
(Made in China)
7-1/4" CIRCULAR SAW, AC/DC



| Item No. | Type | Sub | Part No. | Description | Qty | Unit |
|----------|------|------|----------|--|-----|------|
| 001 | | | 241513-4 | FAN 92 | 1 | PC. |
| 002 | | | 510057-8 | ARMATURE ASS'Y 115V | 1 | PC. |
| | | INC. | | Item No. 1,3,4,34,35 | | |
| 003 | | | 681625-5 | INSULATION WASHER | 1 | PC. |
| 004 | 2 | | 210005-4 | BALL BEARING 608DDW | 1 | PC. |
| 005 | 2 | | 596396-0 | FIELD ASS'Y 115V | 1 | PC. |
| | | INC. | 654020-2 | RING TERMINAL | 2 | PC. |
| | | INC. | 654553-7 | CONNECTOR 34137 | 2 | PC. |
| 006 | | | 266020-6 | TAPPING SCREW 4X12 (Removed after Feb 2014 production) | 1 | PC. |
| 007 | | | 651172-0 | SWITCH TG933TN-1 | 1 | PC. |
| 008 | | | 265995-6 | TAPPING SCREW 4X18 | 4 | PC. |
| 009 | | | 953106-2 | RIVET 0-5 | 2 | PC. |
| 010 | | | 853470-0 | NAME PLATE 5007NB | 1 | PC. |
| 011 | | | 911273-9 | PAN HEAD SCREW M5X50 | 3 | PC. |
| 012 | 1 | | 141120-2 | MOTOR HOUSING COMPLETE | 1 | PC. |
| | | INC. | 643653-8 | BRUSH HOLDER 6.5-13.5 | 2 | PC. |
| | | INC. | 817422-5 | CAUTION LABEL ENG FR | 1 | PC. |
| | 2 | | 142466-9 | MOTOR HOUSING COMPLETE | 1 | PC. |
| | | INC. | 643653-8 | BRUSH HOLDER 6.5-13.5 | 2 | PC. |
| 013 | | | 194986-9 | CARBON BRUSH CB-154 2PC/SET W/ ORIGIN | 1 | SET |
| 014 | | | 643650-4 | BRUSH HOLDER CAP 6.5-13.5 | 2 | PC. |
| 015 | | | 682505-8 | CORD GUARD 10-90 | 1 | PC. |
| 016 | 2 | | 687124-5 | STRAIN RELIEF | 1 | PC. |
| 017 | | | 265995-6 | TAPPING SCREW 4X18 | 2 | PC. |
| 019 | 2 | | 454973-3 | HANDLE COVER | 1 | PC. |
| 020 | | | 664463-0 | CORD WITH PLUG 2P-14-2.5M, SJ | 1 | PC. |
| 021 | | | 266046-8 | TAPPING SCREW 5X50 | 2 | PC. |
| 022 | | | 251644-1 | HEX. FLANGE HEAD BOLT M8X20 | 1 | PC. |
| 023 | | | 224275-9 | OUTER FLANGE 40 | 1 | PC. |
| 024 | | | 224151-7 | INNER FLANGE 40 | 1 | PC. |
| 025 | | | 961201-4 | RETAINING RING S-42 | 1 | PC. |
| 026 | 1 | | 231828-7 | TENSION SPRING 4 | 1 | PC. |
| | 2 | | 231888-9 | TENSION SPRING 4 | 1 | PC. |
| 028 | | | 324256-4 | SPINDLE | 1 | PC. |
| 030 | | | 211206-7 | BALL BEARING 6202LLB | 1 | PC. |
| 031 | | | 251247-1 | + PAN HEAD SCREW M6X20 | 1 | PC. |
| 032 | | | 262502-6 | RUBBER SLEEVE 6 | 1 | PC. |
| 033 | 2 | | 142465-1 | BLADE CASE COMPLETE | 1 | PC. |
| | | INC. | 213459-4 | O RING 32 | 1 | PC. |
| | | INC. | | Item No. 42 | | |
| | 3 | | 140H40-5 | BLADE CASE COMPLETE | 1 | PC. |
| | | INC. | 213459-4 | O RING 32 | 1 | PC. |
| | | INC. | | INC. 42 | | |
| 034 | | | 211106-1 | BALL BEARING 6201LLB | 1 | PC. |
| 035 | | | 213102-5 | DUST SEAL 12 | 1 | PC. |
| 036 | | | 163113-9 | SPINDLE LOCK | 1 | PC. |
| 037 | | | 931402-8 | HEX. NUT M8 | 1 | PC. |
| 038 | | | 911106-8 | PAN HEAD SCREW M4X8 | 1 | PC. |
| 039 | | | 341415-5 | LOCK PLATE | 1 | PC. |
| 040 | | | 341416-3 | LEVER PLATE | 1 | PC. |
| 041 | | | 941201-0 | FLAT WASHER 8 | 1 | PC. |
| 042 | | | 212052-1 | NEEDLE BEARING 1010 | 1 | PC. |
| 043 | | | 961055-9 | RETAINING RING S-15 | 1 | PC. |
| 044 | | | 226532-1 | HELICAL GEAR 39 | 1 | PC. |
| 045 | | | 257064-7 | RING 15 | 1 | PC. |
| 046 | | | 316700-5 | BEARING BOX | 1 | PC. |
| 047 | | | 911126-2 | PAN HEAD SCREW M4X16 | 4 | PC. |
| 048 | | | 317436-9 | SAFETY COVER | 1 | PC. |
| 049 | | | 341417-1 | LEVER | 1 | PC. |
| 050 | | | 266026-4 | TAPPING SCREW BIND CT 4X12 | 1 | PC. |
| 051 | | | 251858-2 | SCREW M6X15 | 1 | PC. |

| Item No. | Type | Sub | Part No. | Description | Q'ty | Unit |
|---------------------------|------|------|---|---------------------------------|------|------|
| 052 | | | 265075-8 | + PAN HEAD SCREW M5 | 1 | PC. |
| 053 | | | 251920-3 | CAP SQUARE NECK BOLT M6X30 | 1 | PC. |
| 054 | | | 267113-2 | FLAT WASHER 12 | 1 | PC. |
| 055 | | | 912212-2 | COUNTERSUNK HEAD SCREW M5X12 | 4 | PC. |
| 056 | | | 266249-4 | CAP SQUARE NECK BOLT M8X24 | 1 | PC. |
| 057 | | | 163378-3 | BASE | 1 | PC. |
| 058 | | | 163248-6 | ANGULAR PLATE | 1 | PC. |
| 059 | | | 941151-9 | FLAT WASHER 6 | 1 | PC. |
| 060 | | | 942151-2 | SPRING WASHER 6 | 1 | PC. |
| 061 | | | 252624-0 | WING NUT M6 | 1 | PC. |
| 062 | | | 266213-5 | H.S.SET SCREW(FLAT POINT)M5X12 | 1 | PC. |
| 063 | | | 962153-2 | RETAINING RING R-35 | 1 | PC. |
| 064 | | | 252103-8 | HEX. LOCK NUT M5-8 | 1 | PC. |
| 070 | 2 | | 417711-4 | BUFFLE PLATE | 1 | PC. |
| 072 | | | 810133-1 | CAUTION LABEL | 1 | PC. |
| 100 | | | 652008-6 | PAN HEAD SCREW M3.5X7 | 4 | PC. |
| 101 | 2 | | 654037-5 | TERMINAL R1.25-3.5 | 2 | PC. |
| 102 | 2 | | 654077-3 | TERMINAL 2-S3 | 2 | PC. |
| C01 | | | 872352-7 | CARTON | 1 | PC. |
| <u>ACCESSORIES</u> | | | - See Catalogue or visit www.makita.ca for more accessories - | | | |
| A01 | | | 164095-8 | GUIDE RULE | 1 | PC. |
| A02 | | | 782016-4 | OFFSET WRENCH 13 | 1 | PC. |
| A03 | 2 | | D-51138 | 7-1/4" C.T.SAW BLADE 24T | 1 | PC. |
| | Opt | | D-35352-10 | 7-1/4" C.T.SAW BLADE 24T, 10/SE | 1 | SET |
| | Opt | | A-94839-10 | 7-1/4" FRAMING BLADE 24T, 10/SE | 1 | PC. |
| A04 | | | 824473-1 | PLASTIC CARRYING CASE (BLOW) | 1 | PC. |
| | | INC. | 417059-4 | LATCH | 2 | PC. |
| | | INC. | 418889-6 | HANDLE | 1 | PC. |
| A05 | | | 199711-3 | DUST NOZZLE SET | 1 | PC. |
| | | INC. | 272243-5 | LEVER 36 | 1 | PC. |
| | | INC. | 911223-4 | PH SCREW M5X16 W/WR | 1 | PC. |

SERVICE CHANGES

1. Changes on Tension Spring 4

(TI#A3885)

| Item No. | Description | Type 1 | Type2 |
|----------|------------------|----------|----------|
| 26 | Tension spring 4 | 231828-7 | 231888-9 |

Type 1



Spring pulling force: 4.0N

Type 2



Spring pulling force: 4.9N

Note: When replacing Tension spring 4, apply 0.05ml of Lubricant VG46 on Drum portion of Bearing box where Safety cover pivots as illustrated below.



2. Changes on Motor Housing etc.

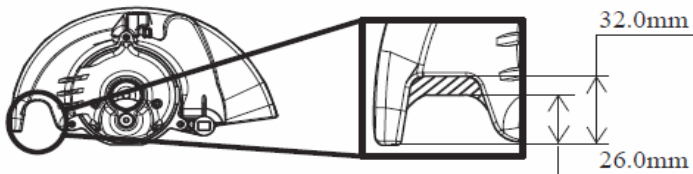
(TI#A2015)

| Item No. | Description | Type 1 | Type2 | Fig no. |
|----------|------------------------|----------|----------|---------|
| 33 | BLADE CASE COMPLETE | 153436-3 | 142465-1 | 1), 2) |
| 12 | MOTOR HOUSING COMPLETE | 141120-2 | 142466-9 | 3) |
| 19 | HANDLE COVER | 416889-0 | 454973-3 | 4) |
| 6 | TAPPING SCREW 4X12 | 266020-6 | | |
| 70 | BUFFLE PLATE | 418888-8 | 417711-4 | 6) |
| 103 | VINYL TUBE 8-10-60 | 683006-9 | | |
| 5 | FIELD ASS'Y 115V | 596066-1 | 596396-0 | |
| 101 | TERMINAL R1.25-3.5 | 654001-6 | 654037-5 | |
| 15 | CORD GUARD 10-90 | 682505-8 | 682574-9 | |
| 102 | TERMINAL 2-S3 | 654004-0 | 654077-3 | 5) |

Interchangeable as a set

Fig. 1)

Change of Blade case complete



Height of opening to see blade tip has been reduced from 32.0mm to 26.0mm.

Fig. 2) Change of Indication label

| | Current | New |
|------------------|---------|-----|
| Design | | |
| Pasting position | | |

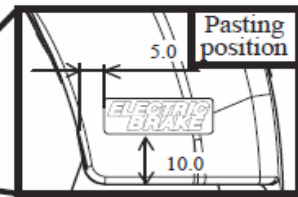


Fig. 3)

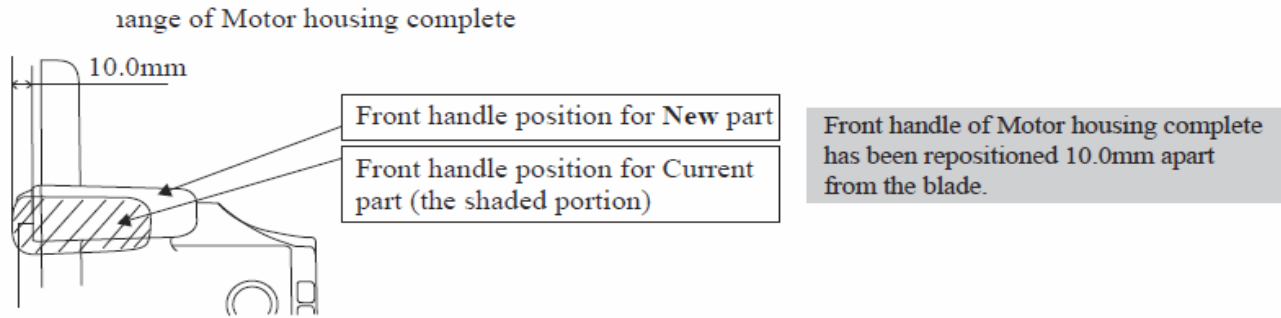


Fig. 4)

Change of Handle cover (for 5007NB)



Fig. 5) Change of Terminal

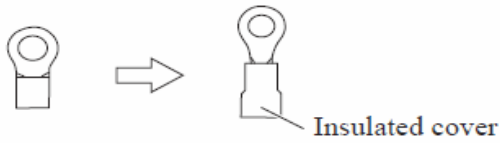
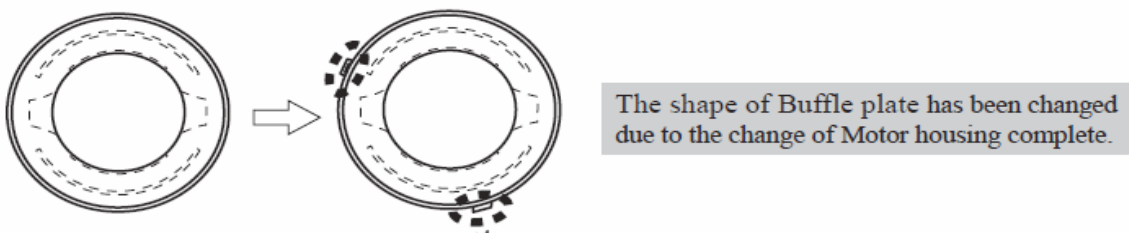


Fig. 6) Change of Buffle plate



Wiring Diagram : See TI#A2015