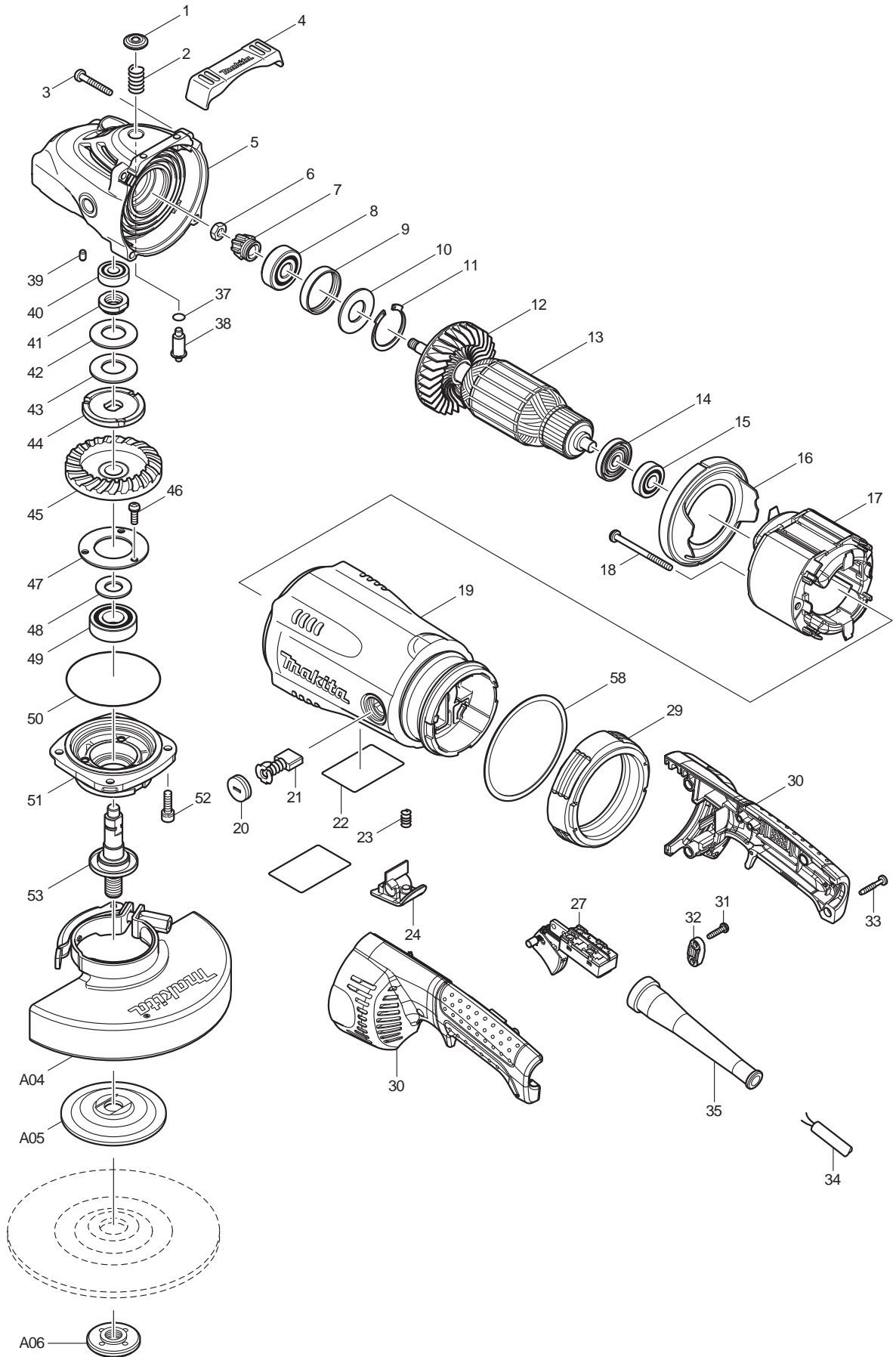




12 - 2010
GA7031
7" GRINDER, LOCK-ON



Item No	Type	Sub	Part No	Description	Qty	Unit
001			419133-4	PIN CAP	1	PC.
002			233292-8	COMPRESSION SPRING 12	1	PC.
003			266373-3	TAPPING SCREW 5X35	4	PC.
004			419144-9	BUMPER	1	PC.
005	1		154685-5	GEAR HOUSING COMPLETE	1	PC.
		INC.	262118-7	FELT RING 18	1	PC.
	2		142754-4	GEAR HOUSING COMPLETE	1	PC.
		INC.	262118-7	FELT RING 18	1	PC.
006			252194-9	HEX. NUT M8	1	PC.
007			227488-1	SPIRAL BEVEL GEAR 16	1	PC.
008			211132-0	BALL BEARING 6301DDW	1	PC.
009			262085-6	RUBBER RING 38	1	PC.
010			267299-2	FLAT WASHER 20	1	PC.
011			962211-4	RETAINING RING R-42	1	PC.
012			240081-4	FAN 80	1	PC.
013			517826-8	ARMATURE ASS'Y 115V	1	PC.
		INC.	*****	Item No. 12, 14, 15	1	PC.
014			681630-2	INSULATION WASHER	1	PC.
015			211087-9	BALL BEARING 6200DDW	1	PC.
016			419135-0	BAFFLE PLATE	1	PC.
017			526206-7	FIELD ASS'Y 115V	1	PC.
		INC.	654197-3	RING TERMINAL (Garter Spring)	2	PC.
		INC.	654553-7	CONNECTOR 34137	2	PC.
018	2		266352-1	TAPPING SCREW 5X65	2	PC.
019			158083-5	MOTOR HOUSING COMPLETE	1	PC.
		INC.	643712-8	BRUSH HOLDER	2	PC.
		INC.	810341-4	CAUTION LABEL	1	PC.
020			643700-5	BRUSH HOLDER CAP 7-18	2	PC.
021			194992-4	CARBON BRUSH CB-204, 2 PCS/SET	1	SET
022			867254-0	GA7031 NAME PLATE	1	PC.
023			233375-4	COMPRESSION SPRING 7	1	PC.
024			419260-7	LOCK BUTTON	1	PC.
027			650104-4	SWITCH 1269. 0201	1	PC.
029			421936-4	VIBRATION PROOF RUBBER	1	PC.
030			188754-0	HANDLE SET	1	SET
		INC.	421565-3	SPONGE SHEET	2	PC.
		INC.	423350-0	SPONGE SHEET	1	PC.
031			265995-6	TAPPING SCREW 4X18	2	PC.
032			687052-4	STRAIN RELIEF	1	PC.
033			266374-1	TAPPING SCREW 4X25	4	PC.
034			664463-0	CORD W/PLUG 2P-14-2.5M, SJ	1	PC.
035			682560-0	CORD GUARD 10	1	PC.
037			213062-1	O RING 9	1	PC.
038			256491-5	SHOULDER PIN 5	1	PC.
039			263002-9	RUBBER PIN 4	1	PC.
040			211062-5	BALL BEARING 6000ZZ	1	PC.
041			252429-8	NUT M15-23	1	PC.
042			232163-6	CUP SPRING 20	1	PC.
043			232163-6	CUP SPRING 20	1	PC.
044			267798-4	LOCK WASHER	1	PC.
045			227493-8	SPIRAL BEVEL GEAR 53D	1	PC.
046			265120-9	PAN HEAD SCREW M5X16	3	PC.
047			285724-1	BEARING RETAINER 50	1	PC.

Item No	Type	Sub	Part No	Description	Qty	Unit
048			267167-9	FLAT WASHER 15	1	PC.
049			211278-2	BALL BEARING 6203DDW	1	PC.
050			213760-7	O RING 78	1	PC.
051	1		317988-0	* BEARING BOX	1	PC.
	2		318377-2	* BEARING BOX	1	PC.
052			265541-5	HEX. SOCKET HEAD BOLT M6X22	4	PC.
053			154787-7	SPINDLE A COMPLETE	1	PC.
		INC.	345629-8	LABYRINTH RING 25	1	PC.
058			261131-2	NYLON WASHER 89	1	PC.
100			652039-5	+ BINDING HEAD SCREW M3.5X6.8	4	PC.
101			654117-7	INSULATING TERMINAL	2	PC.
102			654200-0	NON-INSULATED TERMINAL	2	PC.
200			870461-6	CARTON	1	PC.

ACCESSORIES

A01	3		194543-3	VIBRATION PROOF GRIP F/7-9", PKG	1	PC.
A02			194289-1	DUST COVER ATTACHMENT SET	1	PC.
A03			782412-6	LOCK NUT WRENCH 28	1	PC.
A04	1		122767-1	* TOOLLESS WHEELCOVER ASS'Y F/7"	1	PC.
	2		123542-8	* TOOLLESS WHEELCOVER ASS'Y F/7"	1	PC.
A05			224255-5	INNER FLANGE 78 F/C.O.W COVER	1	PC.
A05			224317-9	INNER FLANGE 89	1	PC.
A06			224568-4	LOCK NUT 5/8-45	1	PC.
A07			193048-0	SANDING LOCK NUT 5/8-48, PACKAGED	1	PC.
A08			122914-4	CUT-OFF WHEEL GUARD FOR 7"	1	PC.
A10			194684-5	GRIP ATTACHMENT SET	1	PC.
A11			----	7" D.C.W. (SEE CATALOGUE)	1	PC.
A11			-----	DEPRESSED CENTER GRINDING WHEELS		
A12			743012-7	RUBBER PAD 170(5/8")	1	PC.
A13			----	7" ABRASIVE DISC (SEE CATALOGUE)	1	PC.
A14			194303-3	GRINDER DUST GUARD F/7"	1	PC.
A19			224305-6	OUTER FLANGE 78 F/C.O.W COVER (USE WITH 224568-4)	1	PC.

REPAIR TOOL

B01			194306-7	LOCK NUT RELEASE SOCKET 28 SET	1	PC.
-----	--	--	----------	--------------------------------	---	-----

SERVICE CHANGES

1. Changes on Bearing Box and Toolless Wheelcover

(TI#B2792)

Item No.	Description	Type 1	Type 2
51	Bearing Box	317988-0	318377-2
A04	Toolless Wheel Cover Assy	122767-1	123542-8
A08 Opt.	Cut-Off Wheel Guard	-----	122914-4

Above parts are completely interchangeable as a set.

Type 1

Type 2

