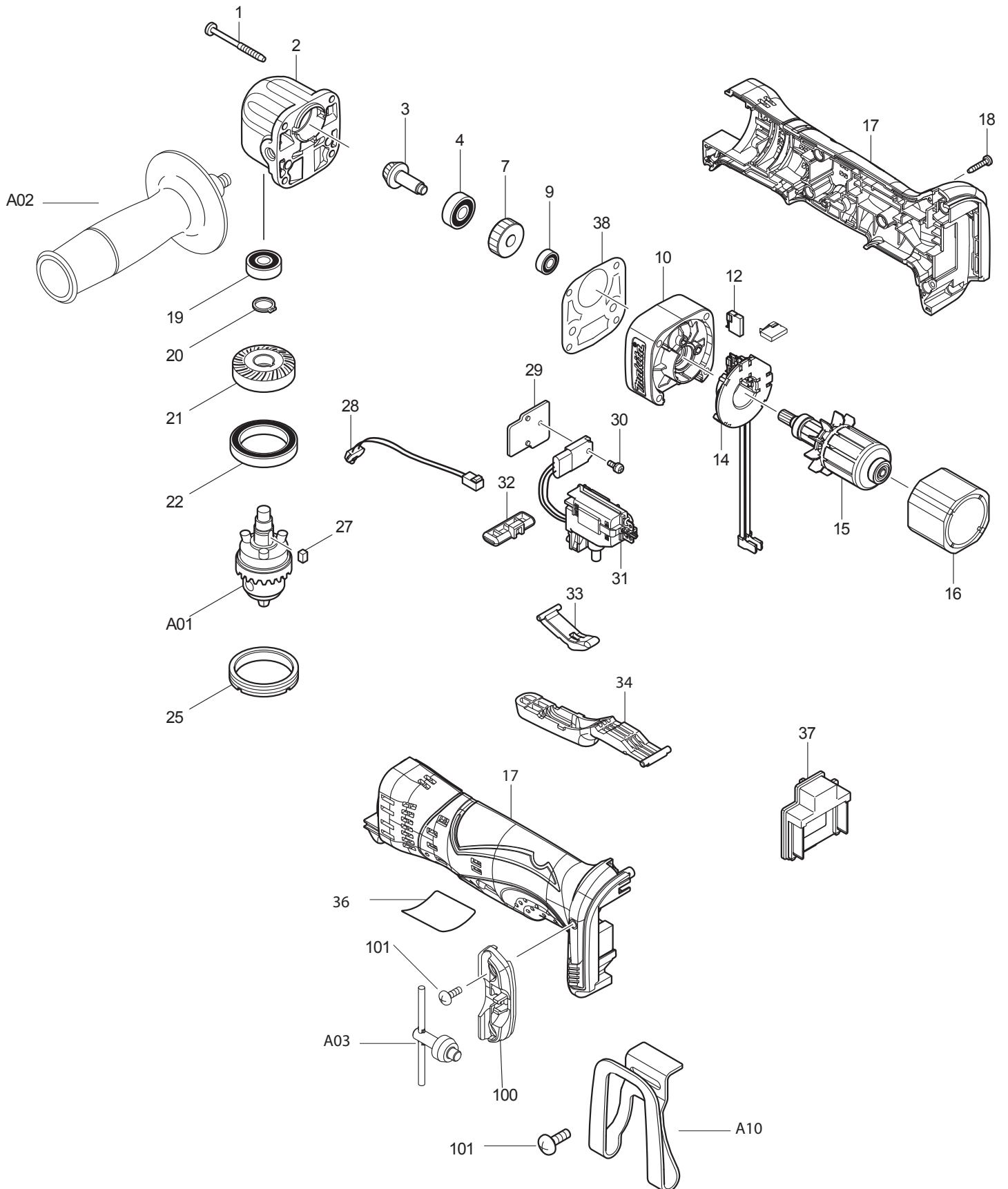




03 - 2014  
DDA350F, DDA350RFE, DDA350Z  
18V ANGLE DRILL



Item No	Type	Ref	Part No	Description	Qty	Unit
001			266069-6	TAPPING SCREW M4X45	4	PC.
002			317635-3	GEAR HOUSING	1	PC.
003			227436-0	SPIRAL BEVEL GEAR 9	1	PC.
004			210029-0	BALL BEARING 608ZZ	1	PC.
007			227230-0	SPUR GEAR 29	1	PC.
009			210033-9	BALL BEARING 696ZZ	1	PC.
010			450607-6	GEAR HOUSING COVER	1	PC.
011			803U04-5	CAUTION LABEL	1	PC.
012			195021-6	CARBON BRUSH CB-440 2PC/SET W/ ORIGIN	1	SET
014			539189-2	BRUSH HOLDER ASSY	1	PC.
		INC.		Item No. 12		
015			619234-0	ARMATURE	1	PC.
016			638613-3	YOKE UNIT	1	PC.
017			187130-5	HOUSING SET	1	SET
018			266130-9	TAPPING SCREW BIND PT 3X16	5	PC.
019			210029-0	BALL BEARING 608ZZ	1	PC.
020			961052-5	RETAINING RING S-12	1	PC.
021			227536-6	SPIRAL BEVEL GEAR 26	1	PC.
022			211423-9	BALL BEARING 6806DDW	1	PC.
025			285842-5	BEARING RETAINER 36-43	1	PC.
027			254201-4	KEY 4	1	PC.
028			631814-2	LED CIRCUIT	1	PC.
029			689098-6	HEAT SINK	1	PC.
030			911006-2	PAN HEAD SCREW M3X8	1	PC.
031			632B91-1	SWITCH UNIT	1	PC.
032			450610-7	F/R CHANGE LEVER	1	PC.
033			450609-2	LINK	1	PC.
034			450608-4	SWITCH LEVER	1	PC.
036			815P22-1	NAME PLATE F/DDA350	1	PC.
037			644808-8	TERMINAL	1	PC.
038			418036-9	GASKET	1	PC.
100			450688-0	KEY HOLDER	1	PC.
<b>ACCESSORIES</b>			<b>- See Catalogue or visit <a href="http://www.makita.ca">www.makita.ca</a> for more accessories information</b>			
A01			763174-5	3/8" DRILL CHUCK	1	PC.
A02			153489-2	GRIP 36 COMPLETE (Resin Grip)	1	PC.
A03			763415-9	CHUCK KEY S10	1	PC.
A05			-----	18V LI-ION BATTERY		
A06			-----	LI-ION BATTERY ACCESSORIES		
A07			141358-9	PLASTIC CARRYING CASE	1	PC.
		INC.	163455-1	LATCH	2	PC.
		INC.	419360-3	HANDLE	1	PC.
A09			452947-8	BIT HOLDER	1	PC.
A10			346449-3	HOOK F/ 14.4V, 18V LI_ION BATTERIES	1	PC.